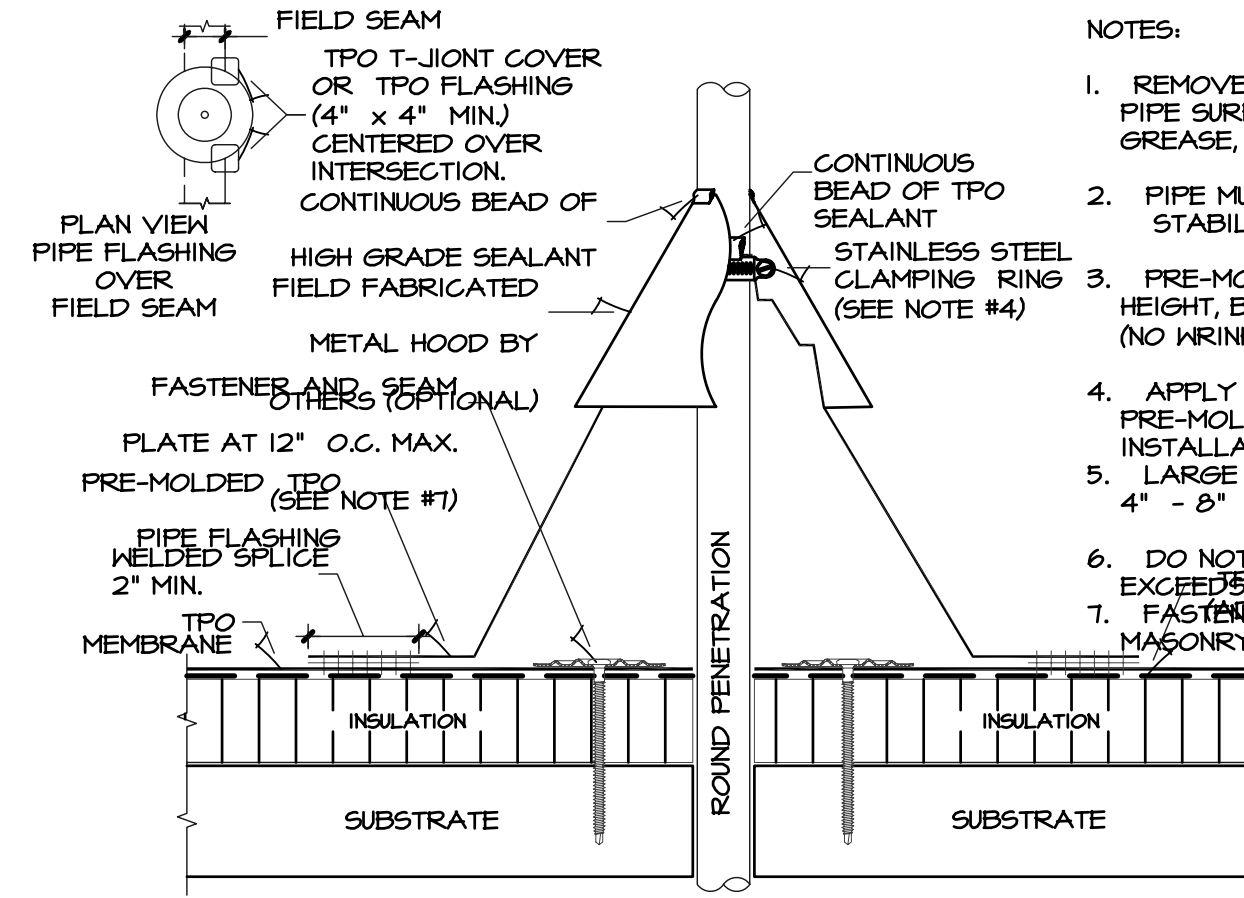


1. REMOVE ALL EXISTING FLASHING, LEAD, ETC. PIPE SURFACE MUST BE FREE OF ALL RUST, GREASE, INSULATION, ETC.
2. PIPE MUST BE ANCHORED TO ENSURE STABILITY.
3. PRE-MOLDED PIPE FLASHING MAY BE CUT TO HEIGHT, BUT NO LOWER THAN REINFORCING RING (NO WRINKLES OR FOLDS UNDER CLAMPING RING).
4. APPLY SEALANT BETWEEN PENETRATION AND PRE-MOLDED PIPE FLASHING PRIOR TO INSTALLATION OF CLAMPING RING.
5. LARGE PRE-MOLDED PIPE FLASHING FITS 4" - 8" PENETRATIONS SIZES.
6. DO NOT USE WHEN SERVICE LINE THROUGH PENETRATION EXCEEDS 160°F. (ADHERED SYSTEM ONLY). FASTENER AND SEAM PLATE REQUIRE FOR TPO MEMBRANE ONLY.



- NOTES:
1. REMOVE ALL EXISTING FLASHING, LEAD, ETC. PIPE SURFACE MUST BE FREE OF ALL RUST, GREASE, INSULATION, ETC.
  2. PIPE MUST BE ANCHORED TO ENSURE STABILITY.
  3. PRE-MOLDED PIPE FLASHING MAY BE CUT TO HEIGHT, BUT NO LOWER THAN REINFORCING RING (NO WRINKLES OR FOLDS UNDER CLAMPING RING).
  4. APPLY SEALANT BETWEEN PENETRATION AND PRE-MOLDED PIPE FLASHING PRIOR TO INSTALLATION OF CLAMPING RING.
  5. LARGE PRE-MOLDED PIPE FLASHING FITS 4" - 8" PENETRATIONS SIZES.
  6. DO NOT USE WHEN SERVICE LINE TEMPERATURE EXCEEDS 160°F. (ADHERED SYSTEM ONLY).
  7. FASTENER AND SEAM PLATE REQUIRE FOR MASONRY ONLY.

# 1 LAP SPLICE WITH 2" WELD

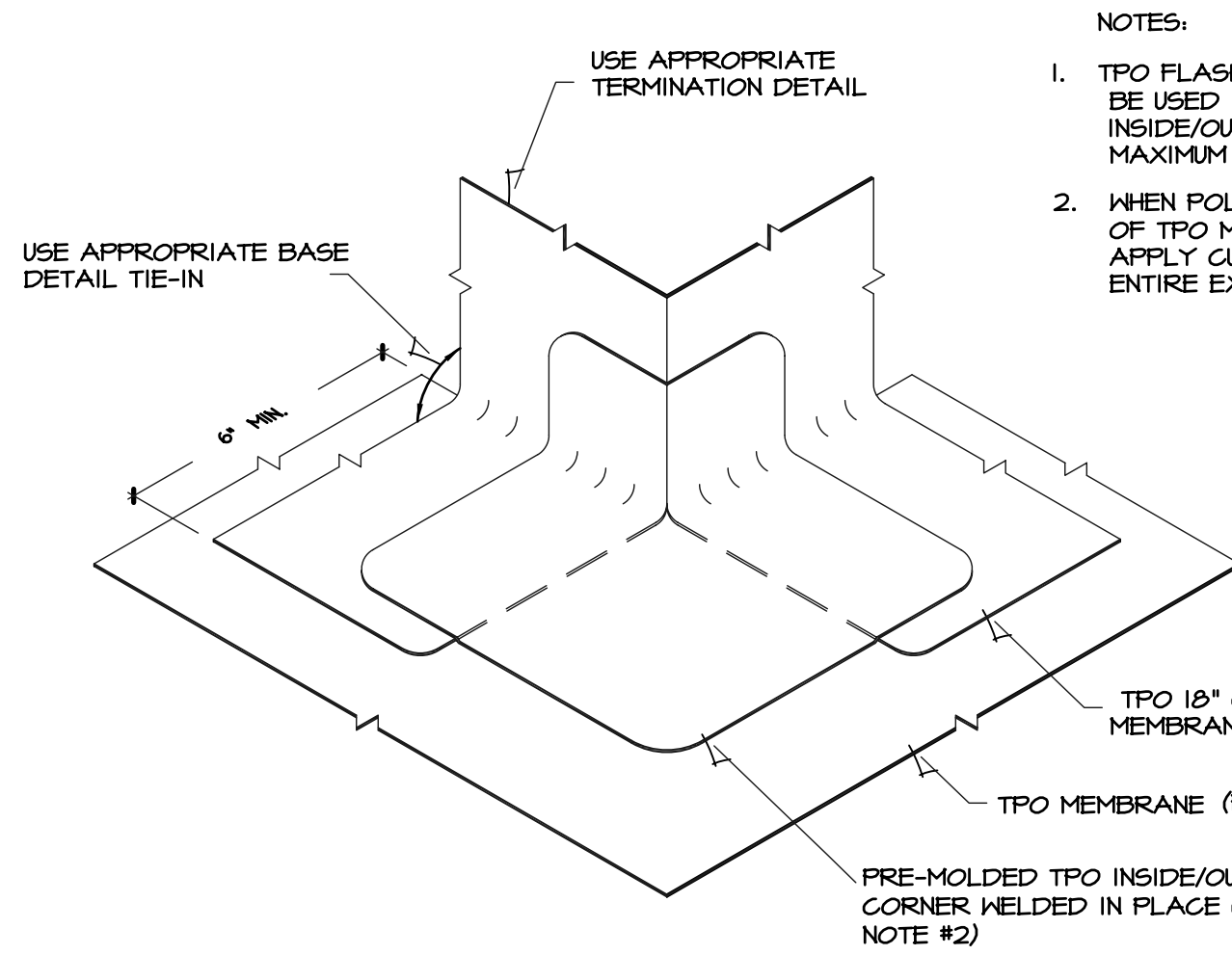
SCALE: N.T.S.

# 2 LARGE PIPE PENETRATION

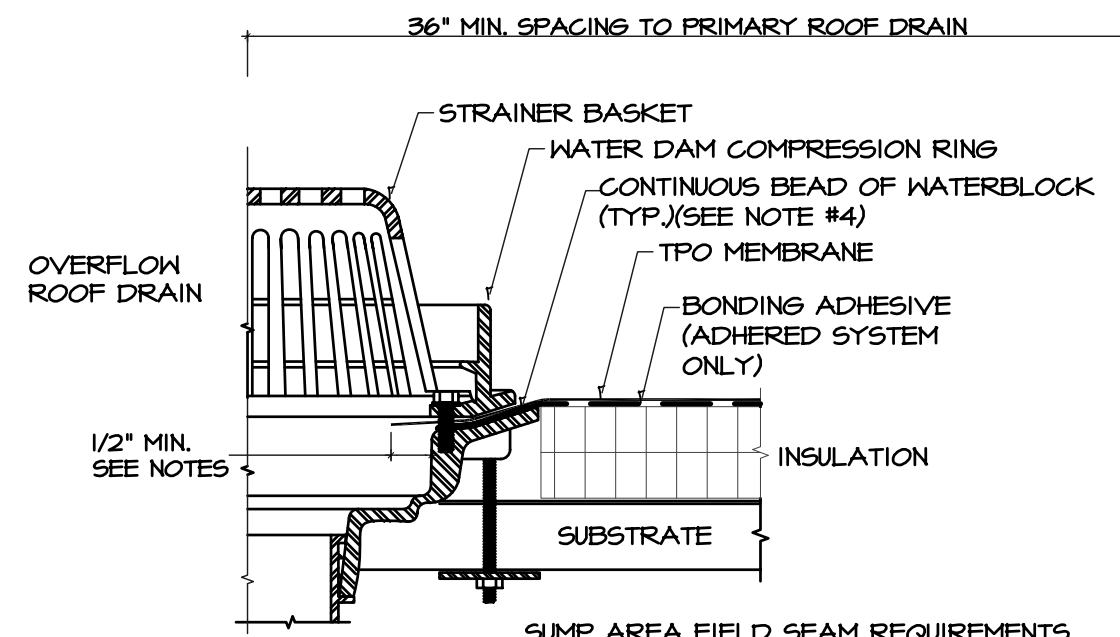
SCALE: N.T.S.

# 3 SMALL PIPE PENETRATION

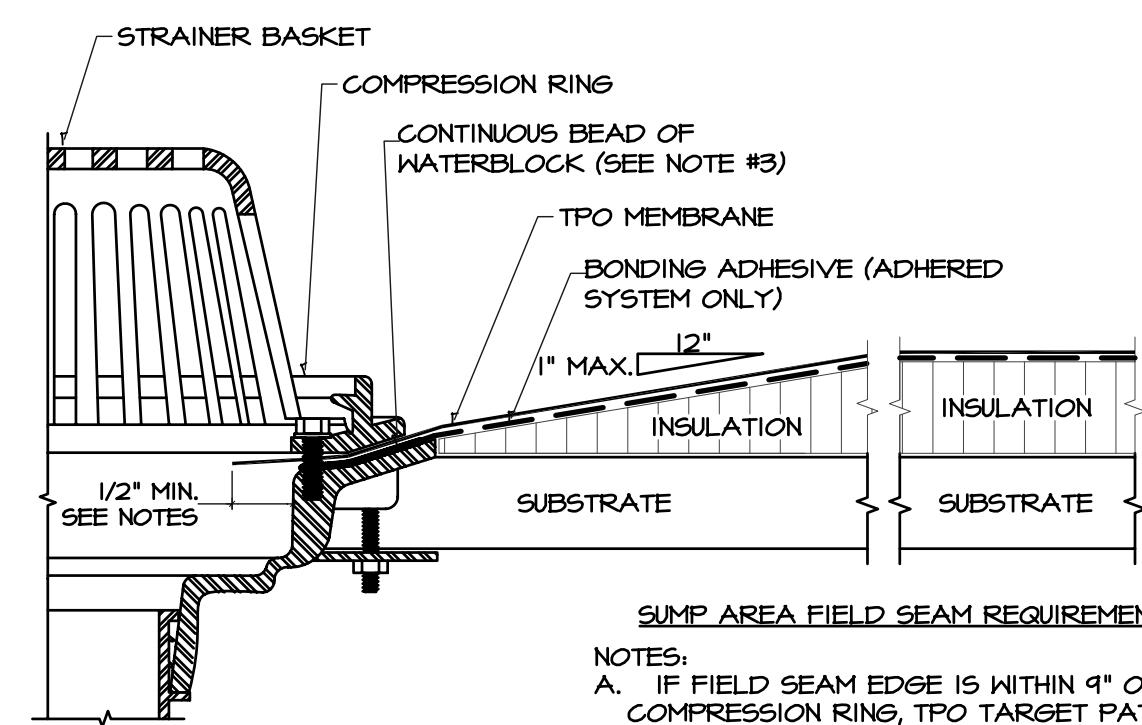
SCALE: N.T.S.



- NOTES:
1. TPO FLASHING (UNSUPPORTED) MAY BE USED IN LIEU OF PRE-MOLDED TPO INSIDE/OUTSIDE CORNER FOR A MAXIMUM WARRANTY OF 15 YEARS.
  2. WHEN POLYESTER REINFORCEMENT OF TPO MEMBRANE IS EXPOSED APPLY CUT EDGE TREATMENT TO ENTIRE EXPOSED EDGE.



- NOTES:
1. HOLE IN MEMBRANE SHOULD EXTEND A MINIMUM OF 1/2" BEYOND CLAMPING RING AND SHOULD NOT BE SMALLER THAN THE DIAMETER OF THE LEADER PIPE.
  2. INSULATION ADJACENT TO DRAIN TO BE APPROPRIATE INSULATION WITH APPROPRIATE BONDING SURFACE.
  3. WATERBLOCK MIN 1/2 OF 10 OZ. TUBE PER 4" DRAIN. USE ADDITIONAL WATERBLOCK FOR LARGER DRAINS.
  4. IN REROOF APPLICATIONS:
    - REMOVE EXISTING FLASHING DOWN TO METAL BOWL.
    - REPAIR OR REPLACE BROKEN DRAIN COMPONENTS.
    - DRILL AND TAP BROKEN DRAIN BOLTS AND REPLACE IF NECESSARY.



- NOTES:
- A. IF FIELD SEAM EDGE IS WITHIN 4" OF COMPRESSION RING, TPO TARGET PATCH REQUIRED.
  - B. IF FIELD SEAM EDGE IS WITHIN 4" TO 18" OF DRAIN COMPRESSION RING, HEAT WELD A LAYER OF TPO FLASHING (UNSUPPORTED) OR TPO MEMBRANE CENTERED OVER SEAM EDGE. FLASHING MUST EXTEND 3" MINIMUM BEYOND EDGE OF SUMP.

# 4 OUTSIDE CORNER

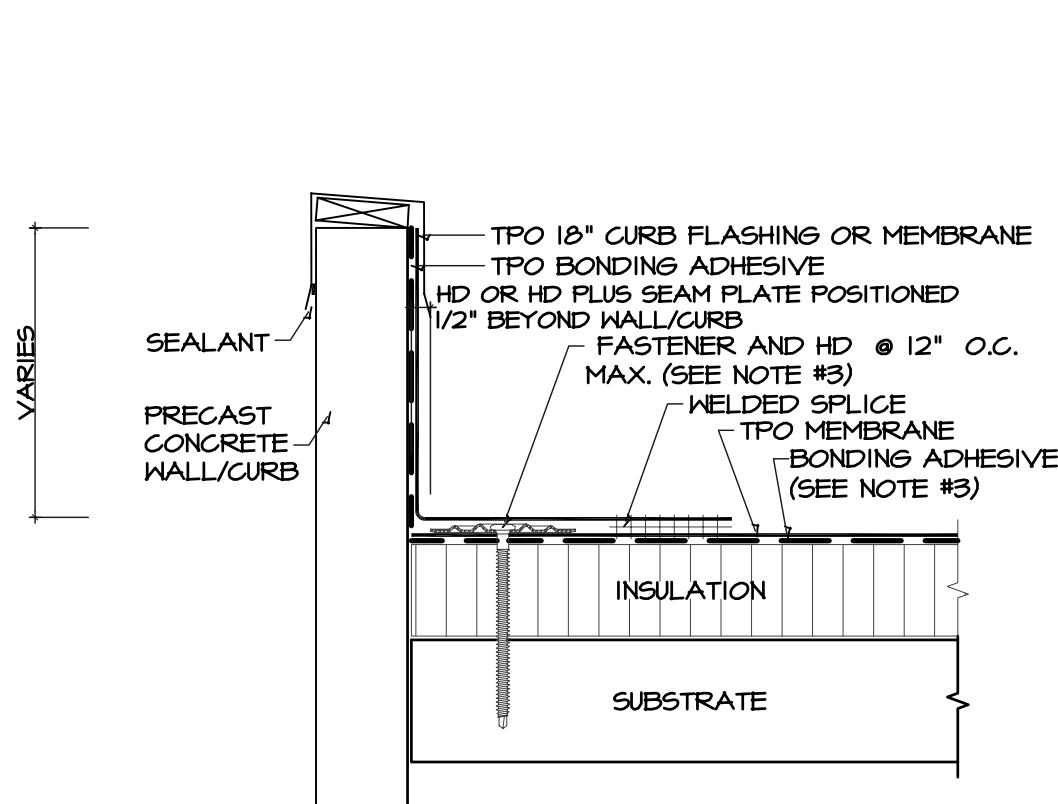
SCALE: N.T.S.

# 5 OVERFLOW ROOF DRAIN

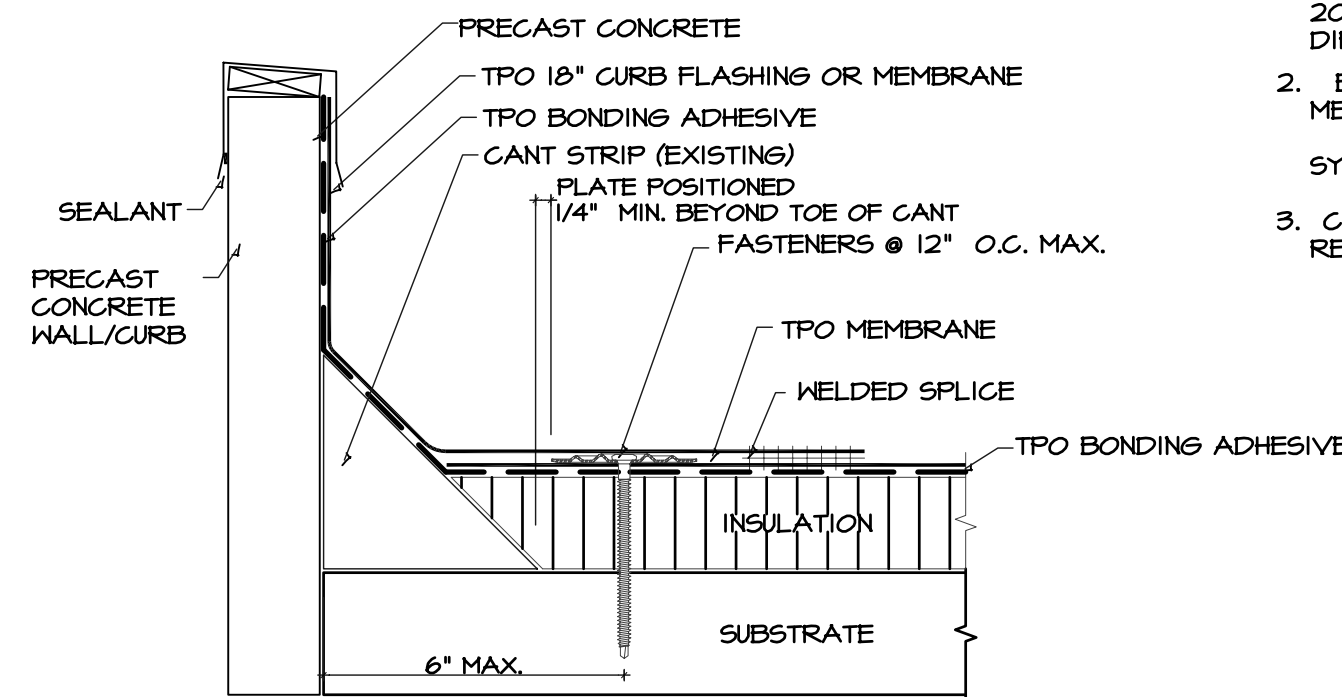
SCALE: N.T.S.

# 6 ROOF DRAIN

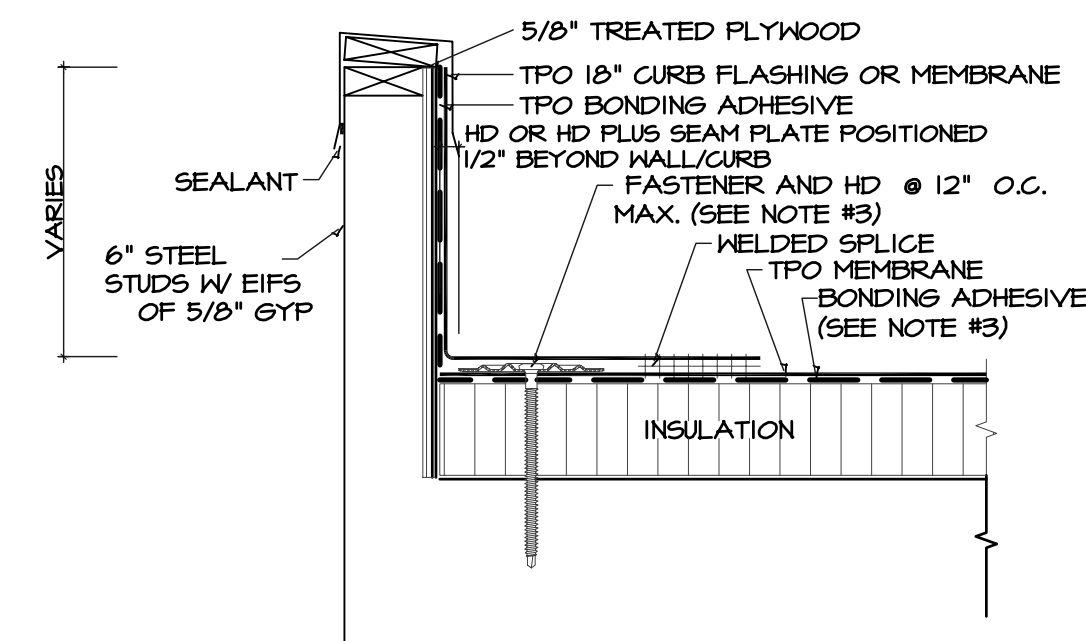
SCALE: N.T.S.



- NOTES:
1. TREATED WOOD NAILER MUST BE INSTALLED TO MEET APPLICABLE BUILDING CODES OR PROVIDE 200 LBS PER LINEAR FOOT IN ANY GIVEN DIRECTION.
  2. BONDING ADHESIVE REQUIRED BETWEEN MEMBRANE AND INSULATION FOR FULLY ADHERED SYSTEMS.
  3. CUT EDGE SEALANT SHALL APPLIED WHEN REINFORCEMENT OF TPO MEMBRANE IS EXPOSED.



- NOTES:
1. TREATED WOOD NAILER MUST BE INSTALLED TO MEET APPLICABLE BUILDING CODES OR PROVIDE 200 LBS PER LINEAR FOOT IN ANY GIVEN DIRECTION.
  2. BONDING ADHESIVE REQUIRED BETWEEN MEMBRANE AND INSULATION FOR FULLY ADHERED SYSTEMS.
  3. CUT EDGE SEALANT SHALL APPLIED WHEN REINFORCEMENT OF TPO MEMBRANE IS EXPOSED.



# 7 PRE-CAST CONCRETE WALL W/SEAM PLATES

SCALE: N.T.S.

# 8 BASE TIE-IN AT CURB/PARAPET W/EXISTING CANT

SCALE: N.T.S.

# 9 EIFS WALL W/ HD SEAM PLATES TO DECK

SCALE: N.T.S.

**2020**  
**RCJSHS - ReROOFING PROJECT**  
**UNIFIED SCHOOL DISTRICT 323**  
**ROCK CREEK J-S HIGH SCHOOL -- 9355 FLUSH ROAD - FLUSH, KANSAS**

DRAWINGS ISSUED		
NO.	DATE	ITEM ISSUED
2	1/17/20	ISSUED FOR BIDS
1	1/13/20	BOE REVIEW

COMPUTER DRAWING  
2020\ROOF\323\_A2.07.dwg

DATE: JANUARY 2020  
DRAWN BY: CH MH      CHECKED BY: MRH

SHEET

# A2.7

OF - SHEETS