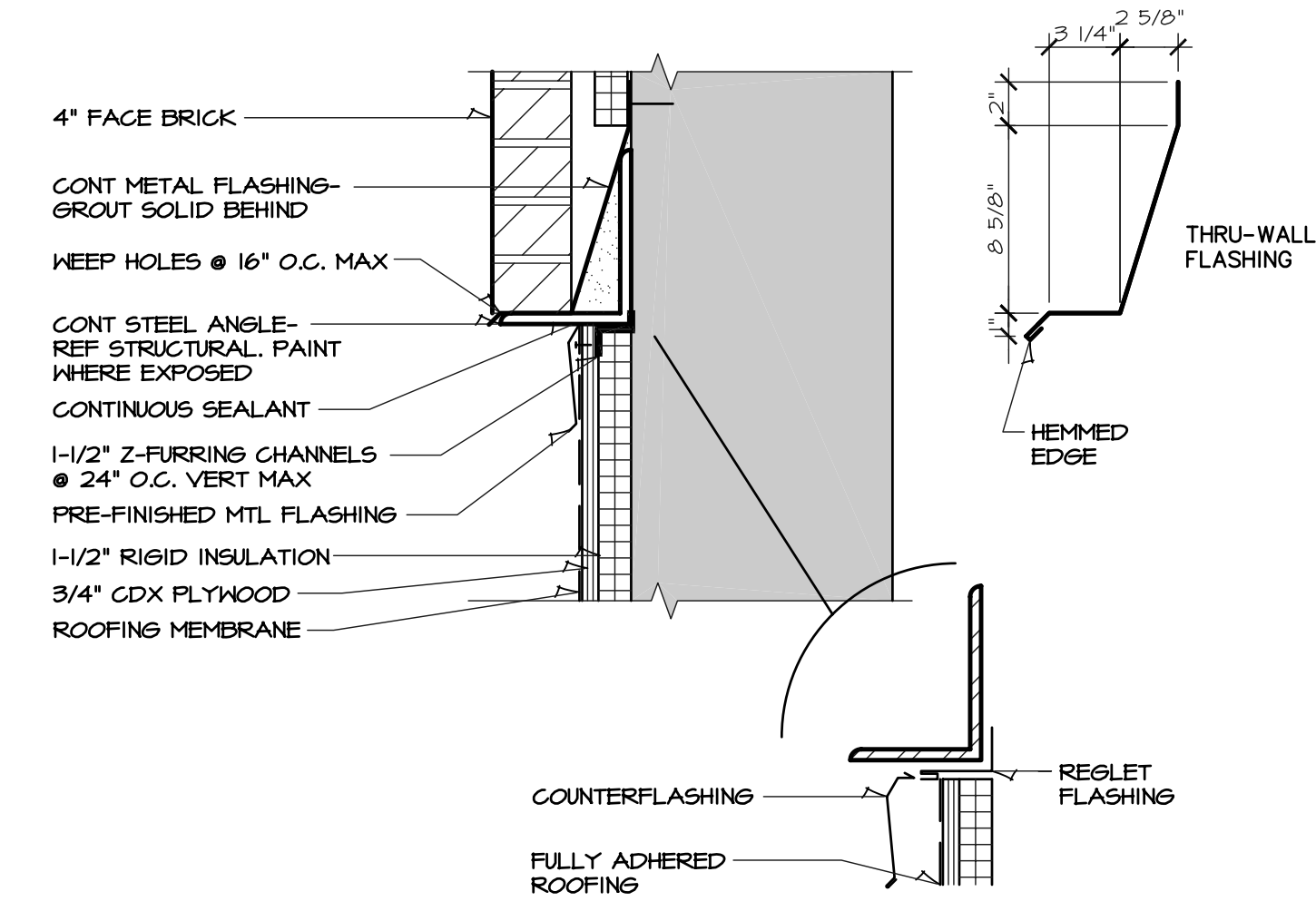


1 FLASHING DETAIL
SCALE: 1/2" = 1'-0"

NOT USED

2 ROOF EXPANSION JOINT
SCALE: 1/2" = 1'-0"



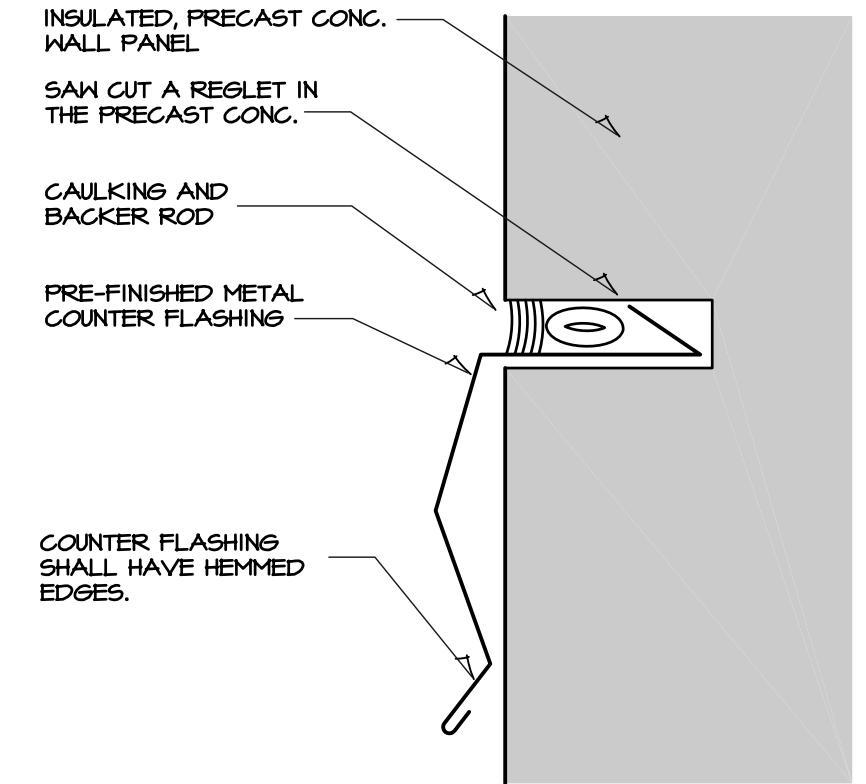
3 FLASHING DETAIL
SCALE: N.T.S.

NOT USED

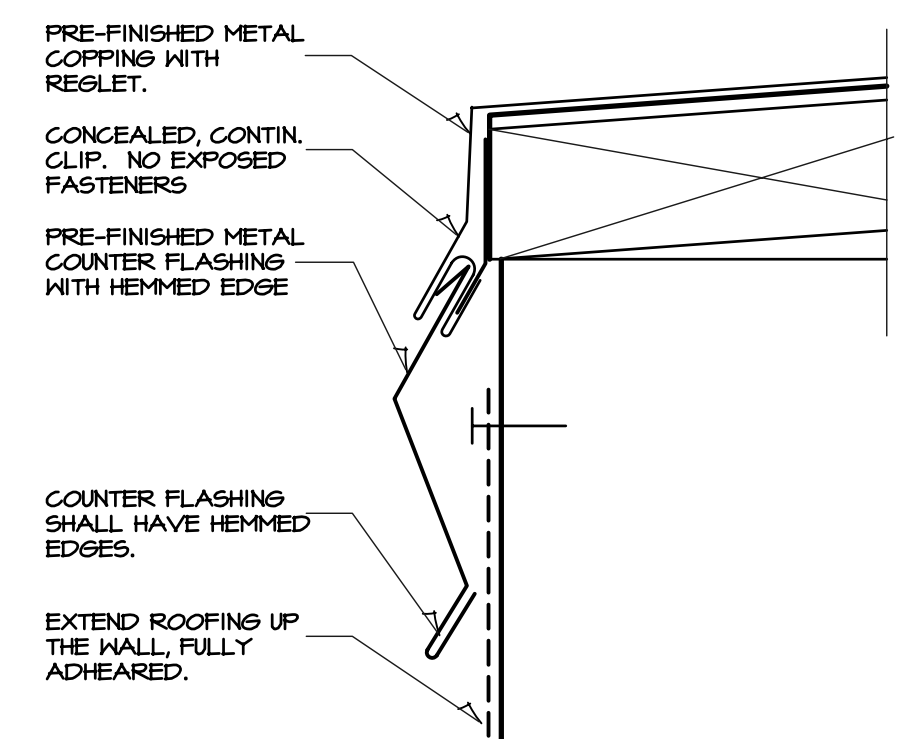
4
SCALE: N.T.S.

NOT USED

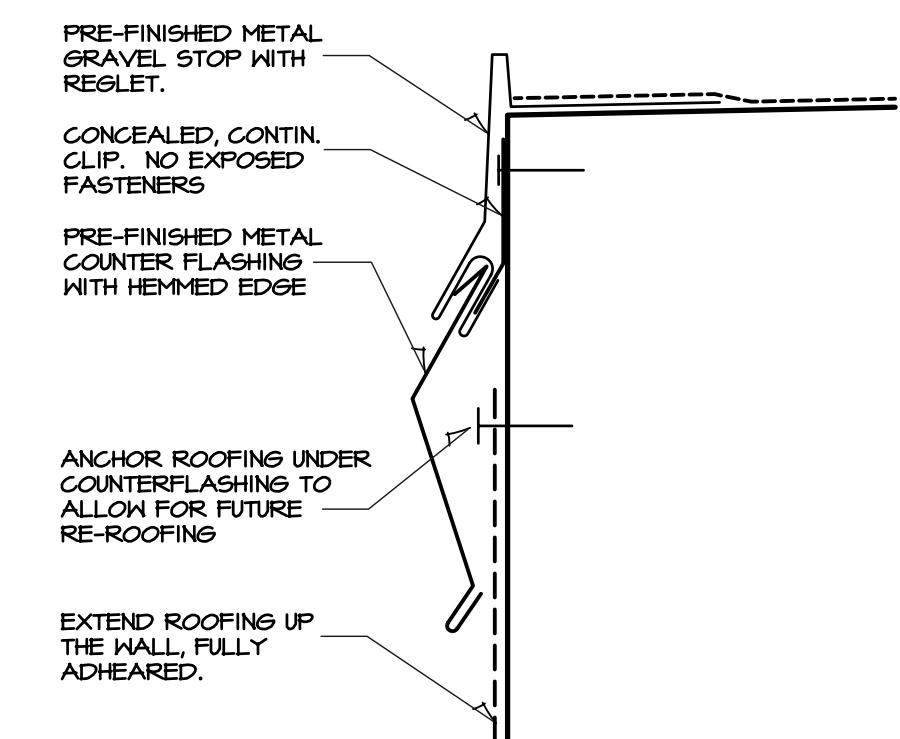
5
SCALE: N.T.S.



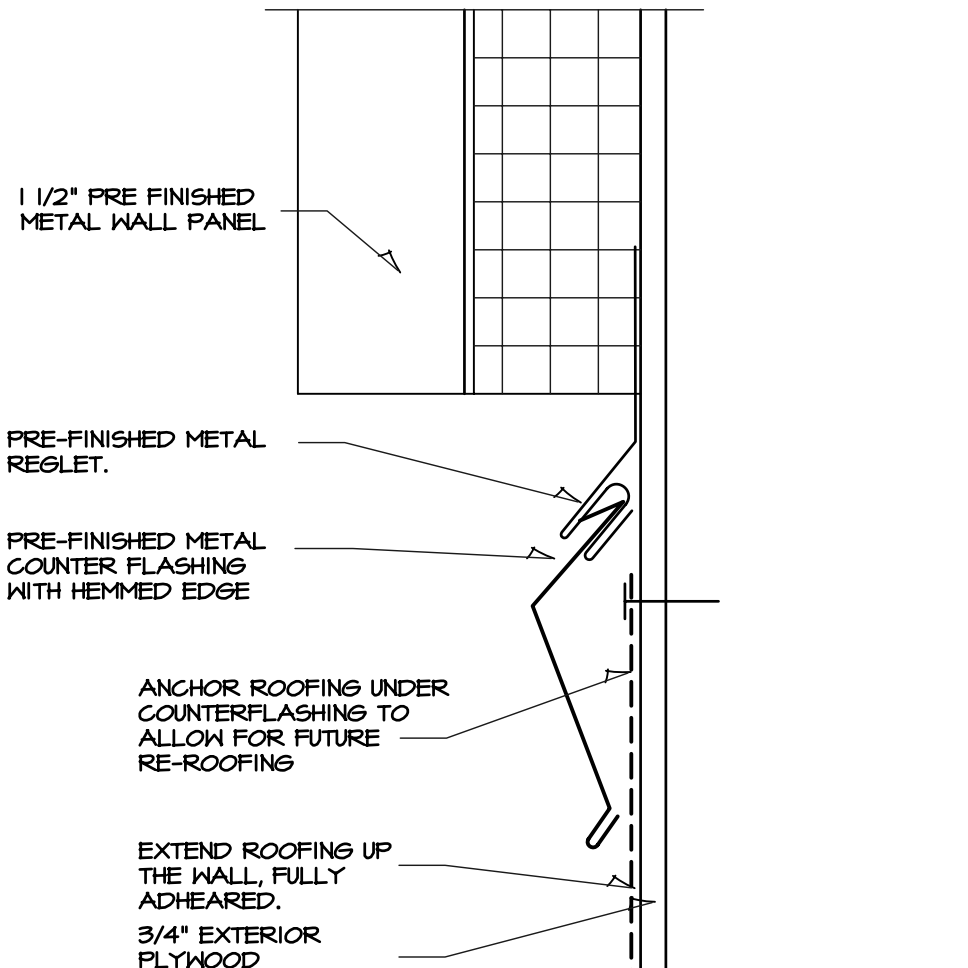
6 FLASHING DETAIL
SCALE: 8" = 1'-0"



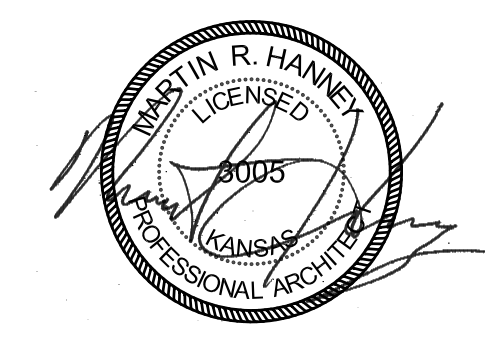
7 COPPING CAP FLASHING DETAIL
SCALE: 8" = 1'-0"



8 GRAVEL STOP FLASHING DETAIL
SCALE: 8" = 1'-0"



9 METAL WALL PANEL FLASHING DETAIL
SCALE: 8" = 1'-0"



02/02/20
HANNEY & ASSOCIATES, ARCHITECTS
1726 South Hillside, Wichita, Kansas, 67211
Phone (316) 833-8865
Fax (316) 834-1441

2018
5-8 ADDITION TO RCJSHS
UNIFIED SCHOOL DISTRICT 323
 ROCK CREEK J-S HIGH SCHOOL -- 9355 FLUSH ROAD - FLUSH, KANSAS

| DRAWINGS ISSUED | | |
|-----------------|---------|----------------|
| NO. | DATE | ITEM ISSUED |
| 16 | 6/14/18 | ADDENDUM #3 |
| 15 | 6/08/18 | ADDENDUM #2 |
| 14 | 5/16/18 | ISSUED FOR GMP |
| 13 | 5/11/18 | REVIEW |

COMPUTER DRAWING
2020\ROOF\323_A206.dwg

DATE: MAY 2018
DRAWN BY: BG TH CH MH
CHECKED BY: MRH

SHEET
A2.6
OF - SHEETS