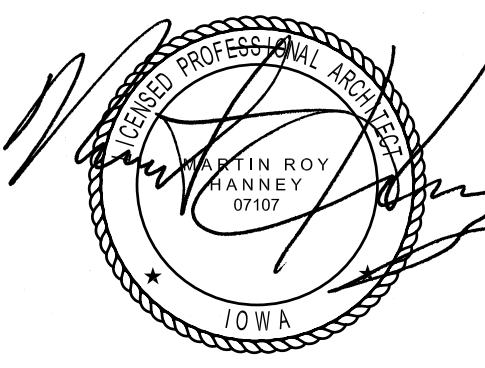


INSTALLATION DETAILS

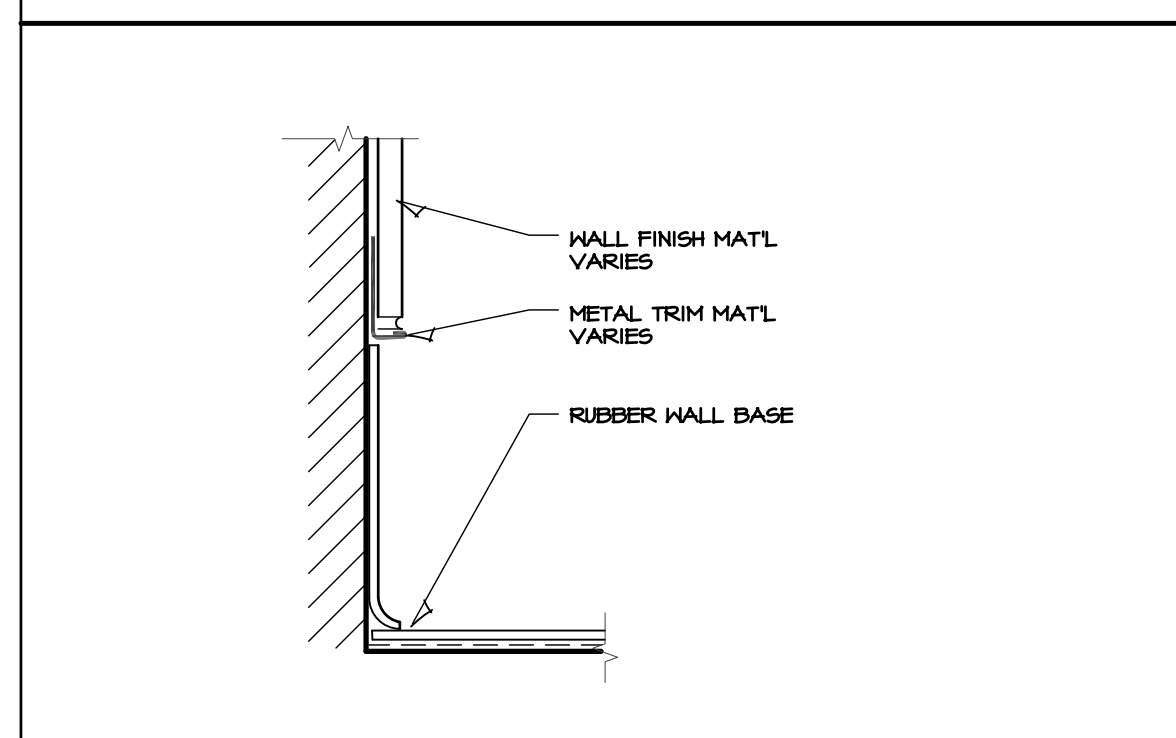
FINISH MATERIAL ID

SYM	DESCRIPTION	SHEET
F#	FLOOR MATERIAL	A8.1
B#	BASE MATERIAL	A8.1
ST #	STAIR MATERIAL	A8.1
SP-#	SPECIALTY MATERIAL	A8.1
G#	GRANITE MATERIAL	A8.1
MT #	METAL TRIM MATERIAL	A8.1
W#	WALL MATERIAL	A8.1
C#	CEILING MATERIAL	A8.1
M#	MILLWORK MATERIAL	A8.1
WS#	WINDOWSILL MATERIAL	A8.1
SM #	SETTING MATERIAL	A8.1

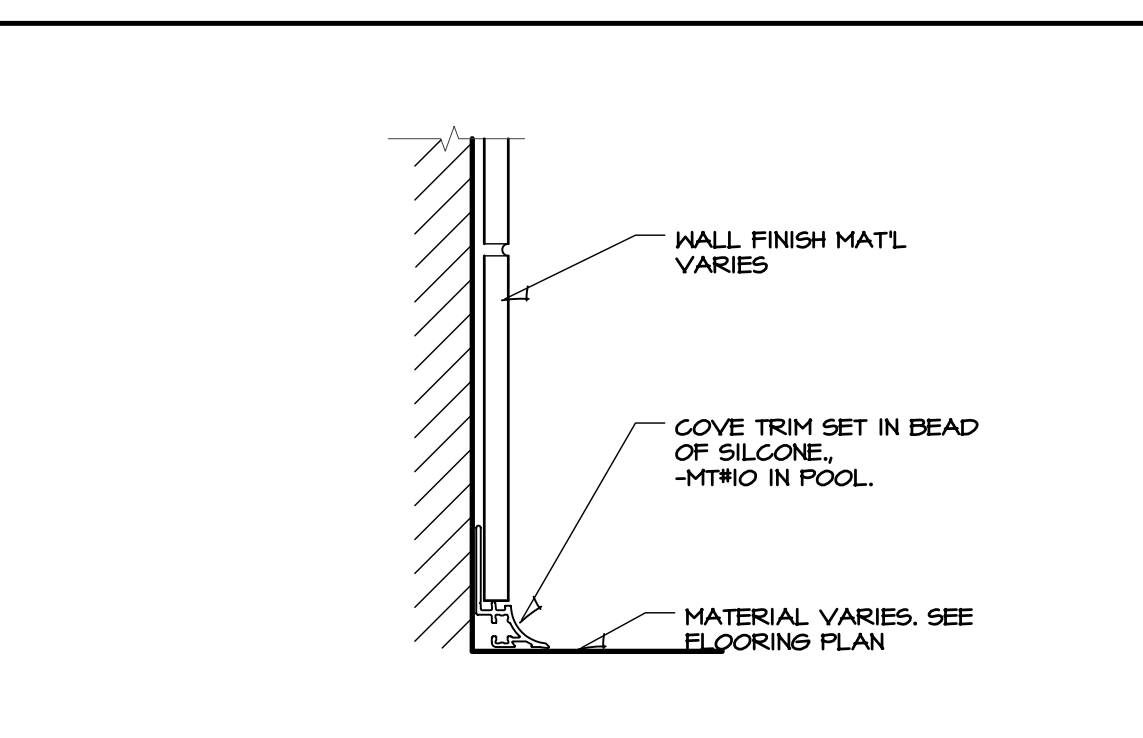


4/20/22
HANNAY & ASSOCIATES, ARCHITECTS
 1728 South Hillside, Wichita, Kansas 67211
 Phone (316) 683-8985
 Fax (316) 684-1441

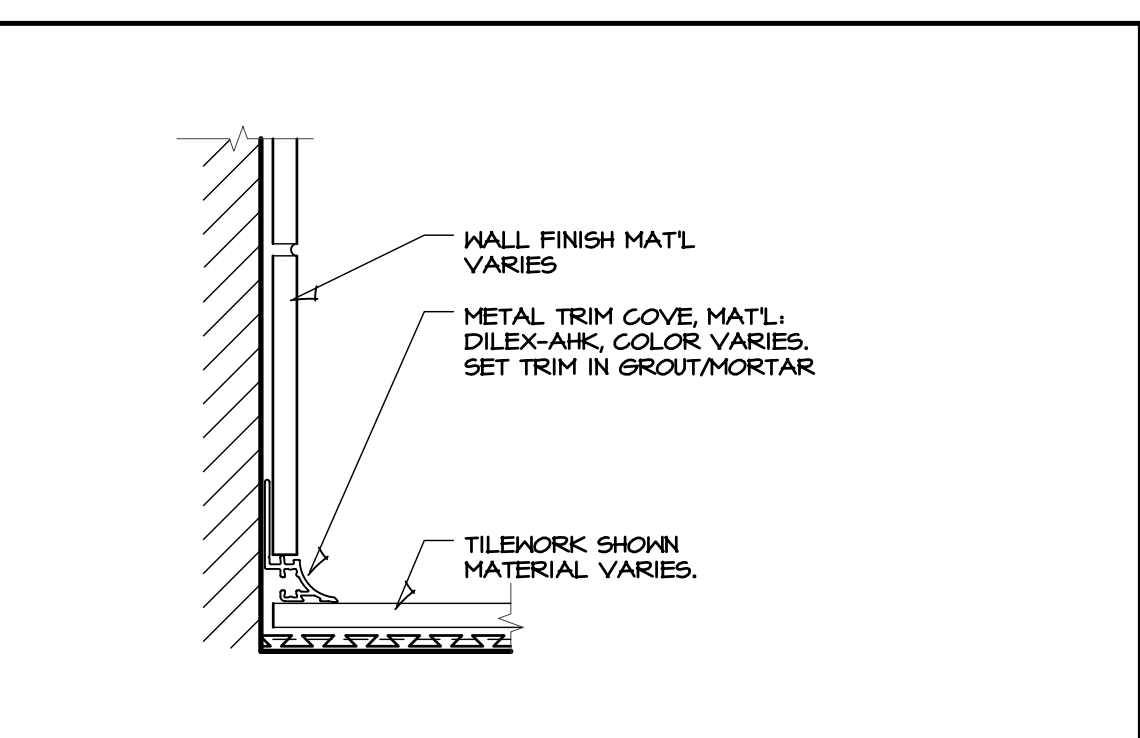
2022 GENESIS HEALTH CLUBS
SOUTHBRIDGE MALL
 1111 East Army Post Road
 Des Moines, Iowa 50315



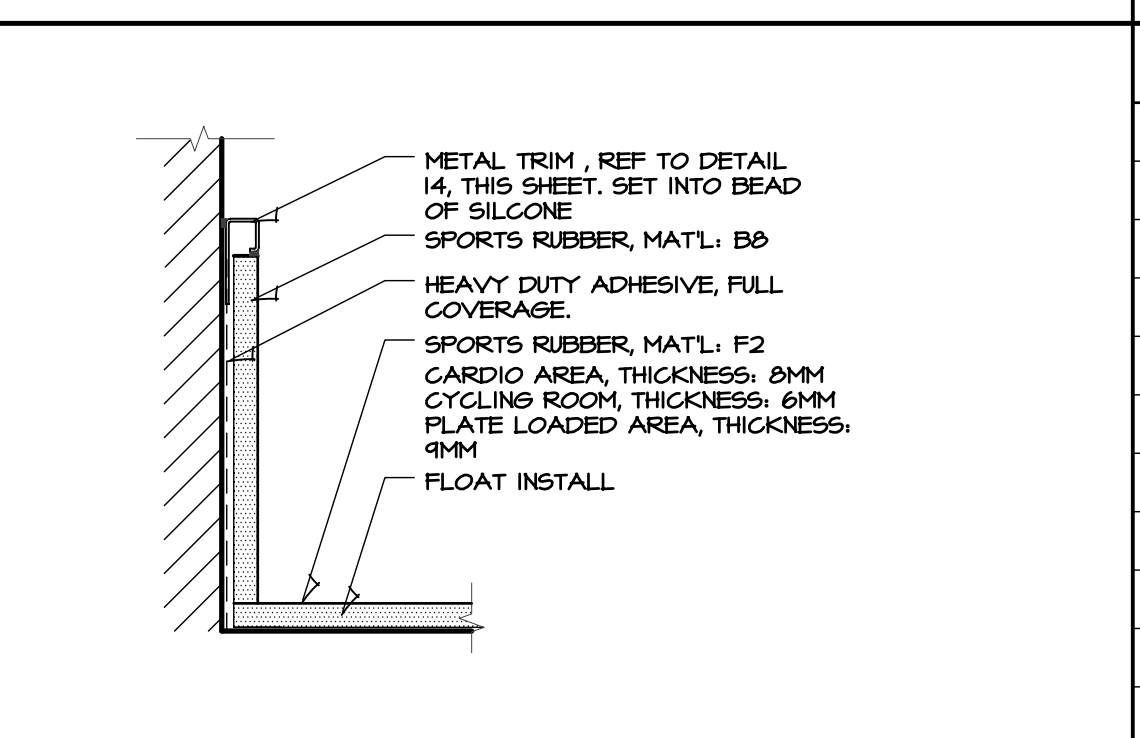
1 RUBBER WALL BASE
 COIL LENGTH
 CONCEAL ATTACHMENT



2 METAL OR VINYL TRIM COVE TOE
 METAL TRIM IN AREAS NOTED EXCEPT IN POOL AREA. VINYL IN POOL AREA
 INCLUDE ACCESSORIES REQ'D FOR COMPLETE INSTALLATION

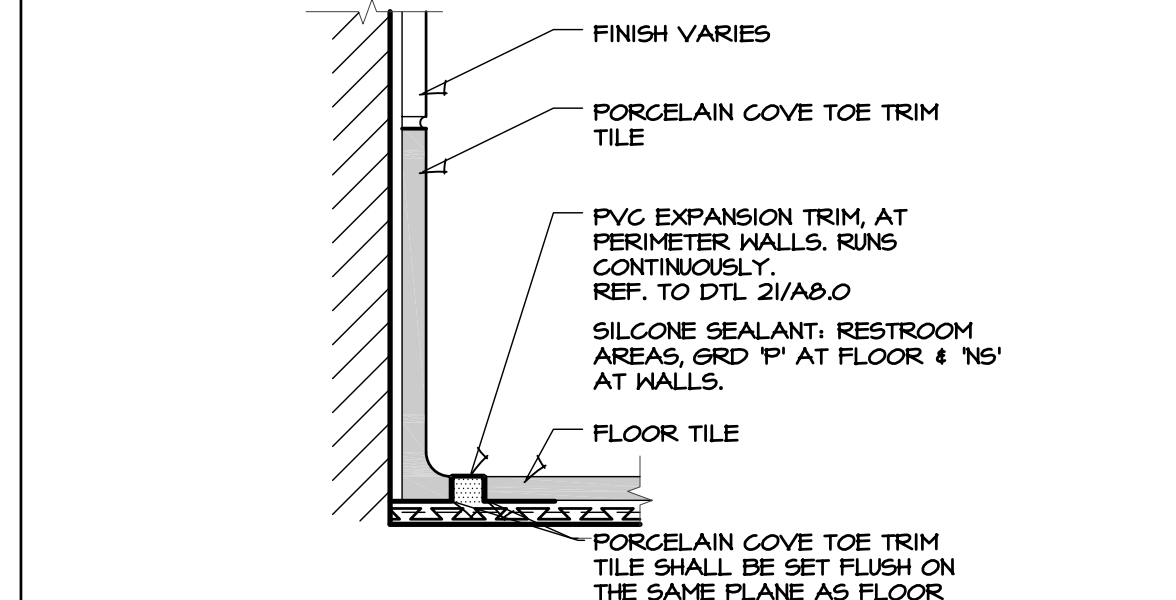


3 METAL TRIM COVE TOE
 INCLUDE ACCESSORIES REQ'D FOR COMPLETE INSTALLATION

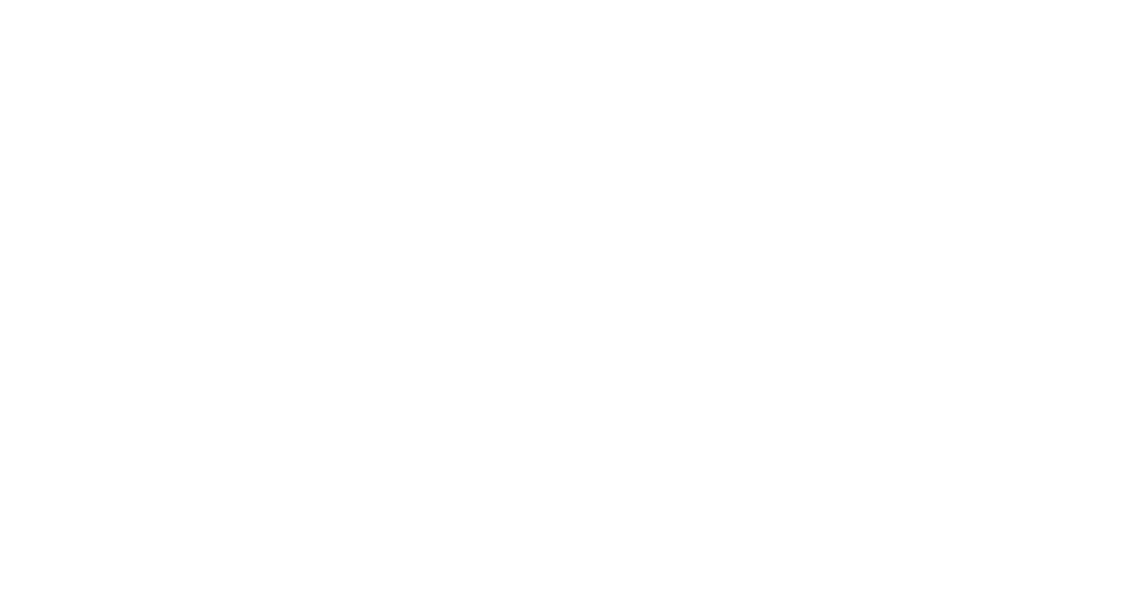


4 SPORTS RUBBER WALL BASE
 ROLL LENGTH
 FIELD CUT TO SIZE

GENERAL FINISH NOTES REFERENCED ON SHEET A8.0



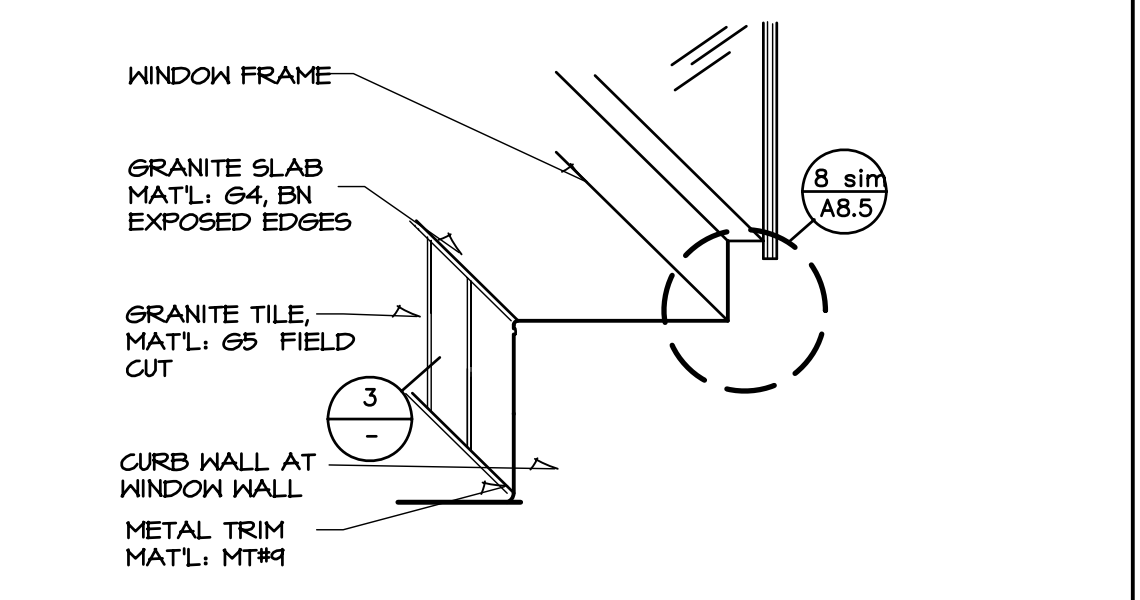
5 PORCELAIN TILE COVE TOE



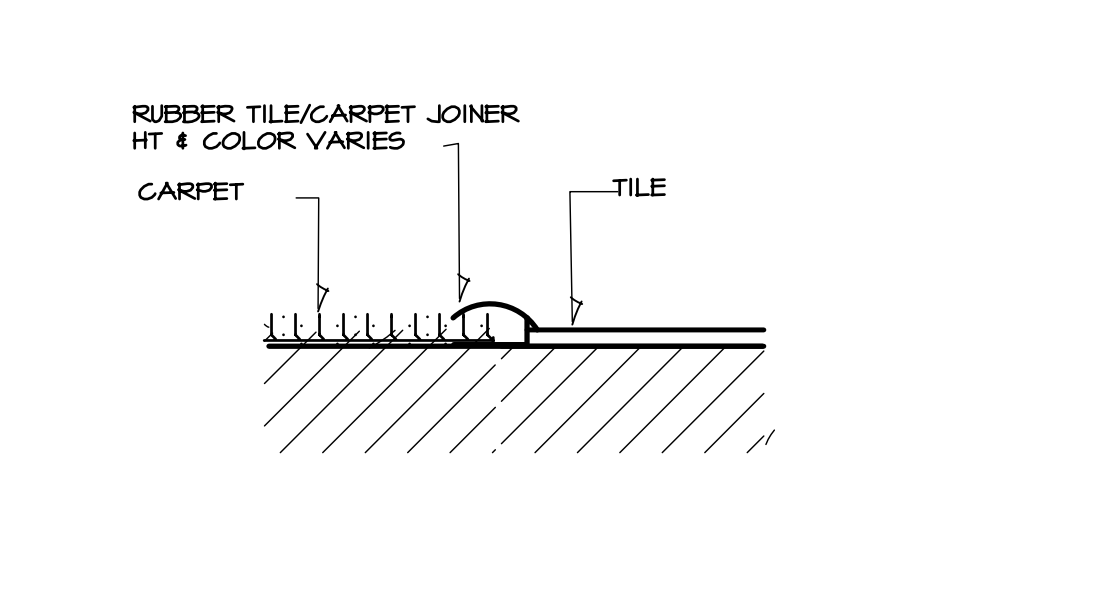
6 DETAIL NOT USED

DETAIL MOVED

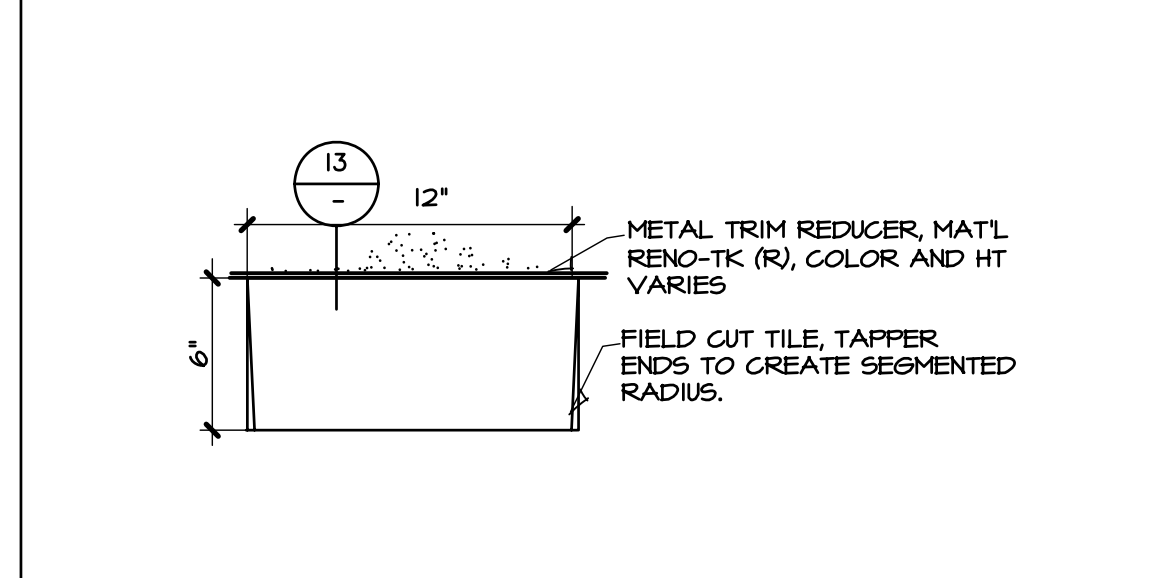
7 REFER TO DETAIL 4/A1.1
 SPORTS RUBBER INSTALLS ABOVE COVE BASE



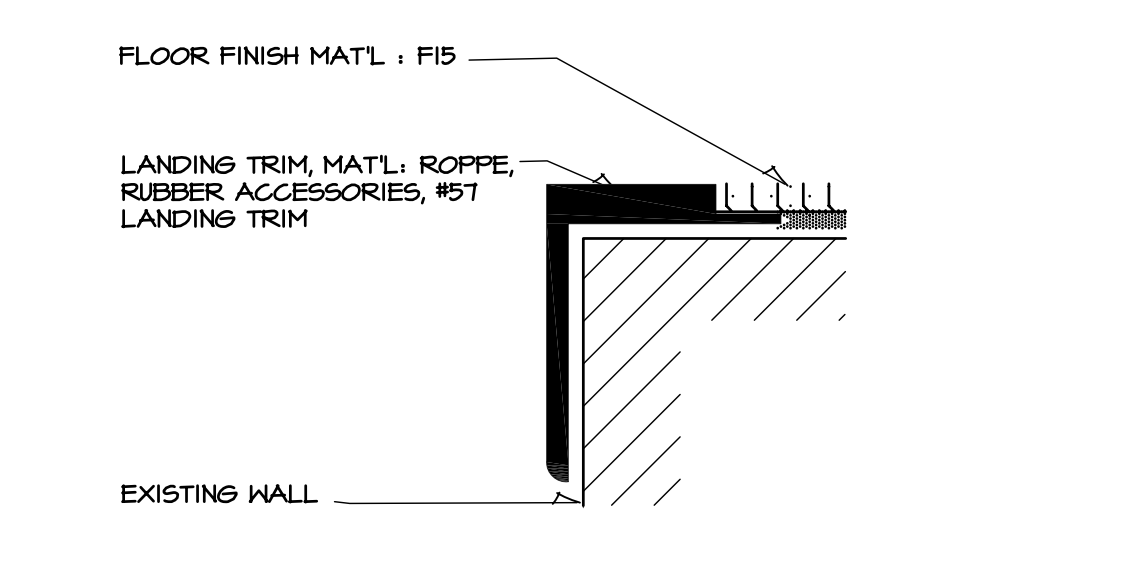
8 CURB WALL AT EXTERIOR WINDOWS



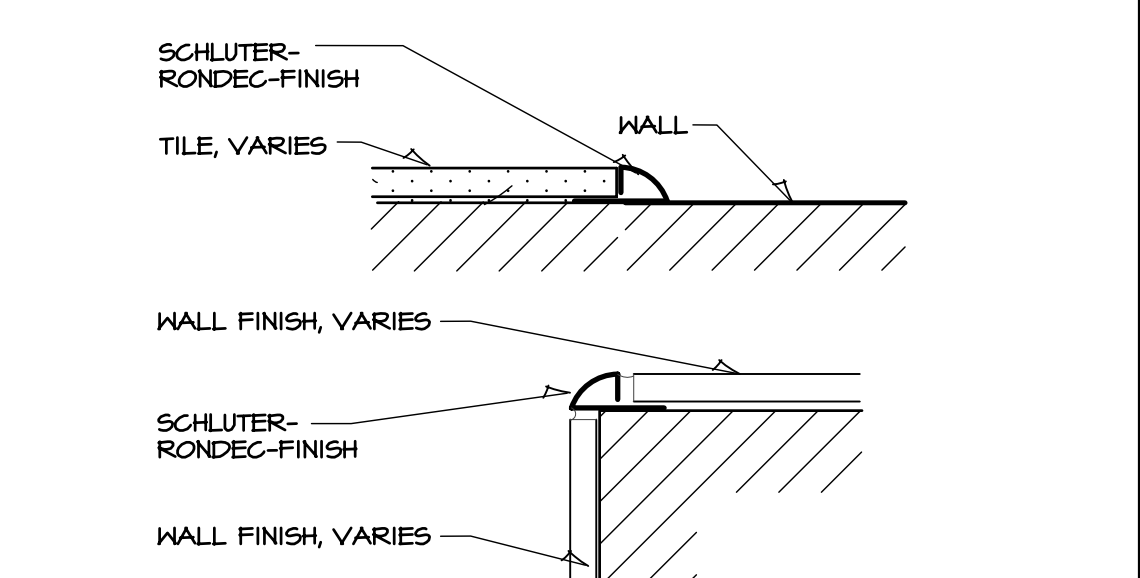
9 RUBBER TRANSITION



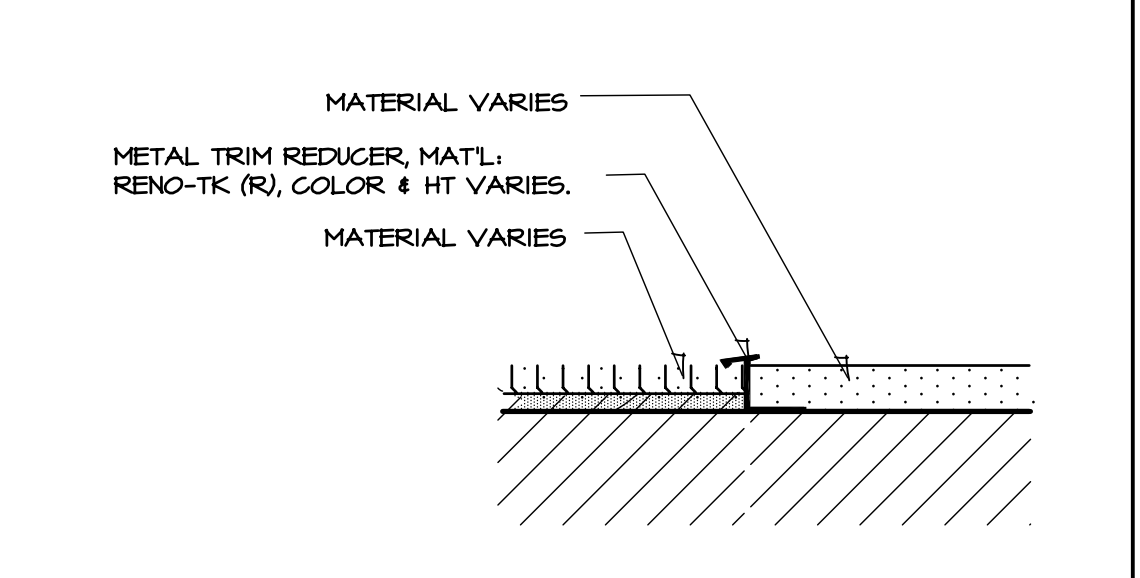
10 SEGMENTED RADIUS TILE INSTALLATION
 METAL TRIM: SPECIAL ORDER RADIUS TRIM



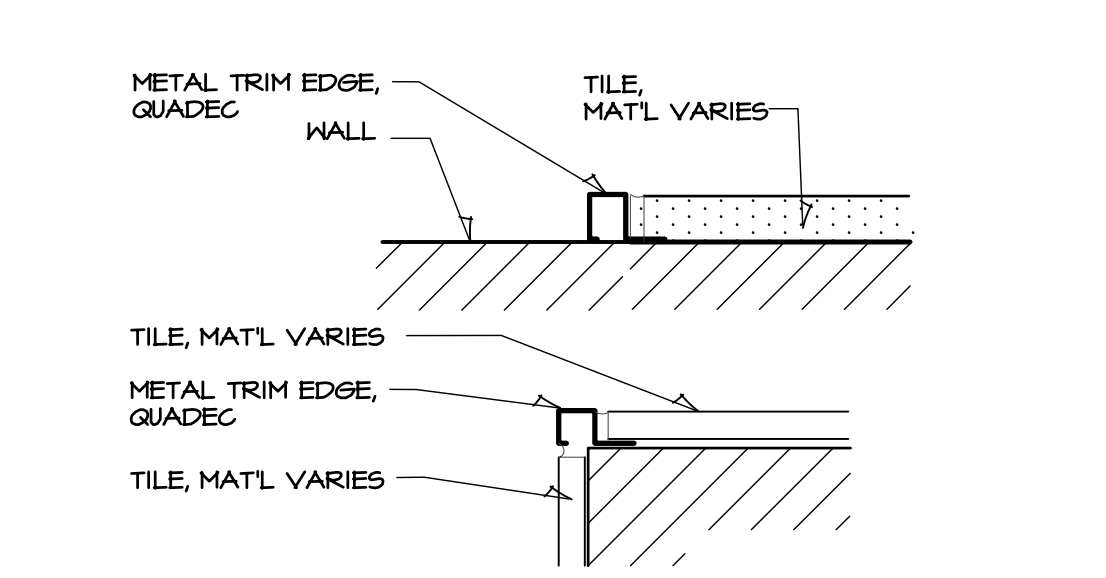
11 LANDING TRIM
 ROPPE ACCESSORIES
 CONCEAL ATTACHMENT



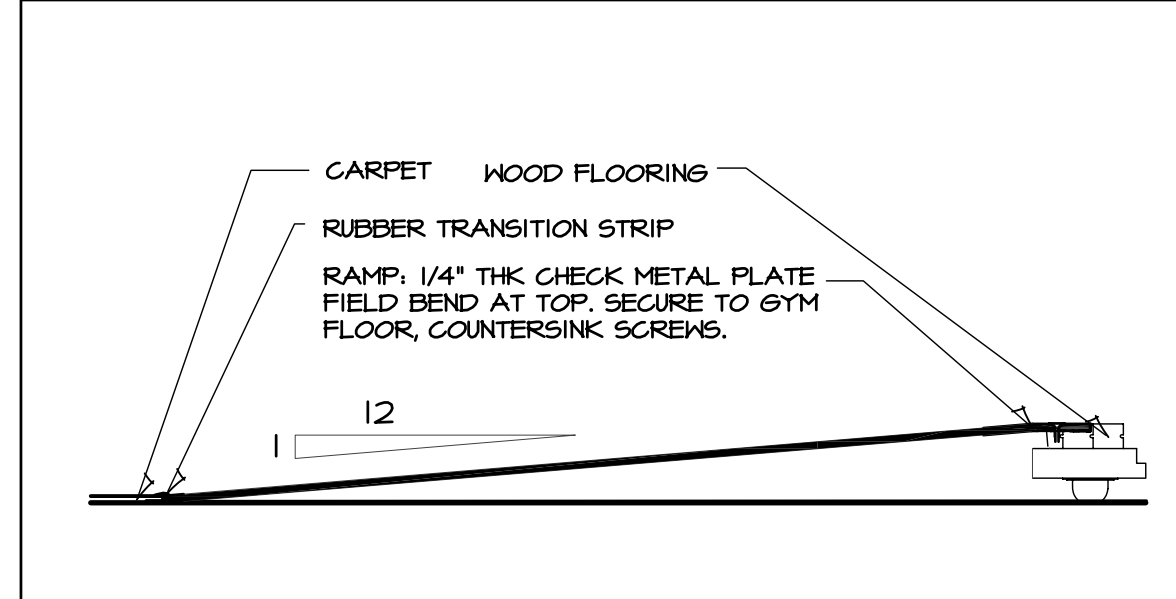
12 BULLNOSE METAL TRIM
 MATERIAL NOT AN APPROVED SUBSTITUTION FOR BULLNOSE TILE SPECIFIED



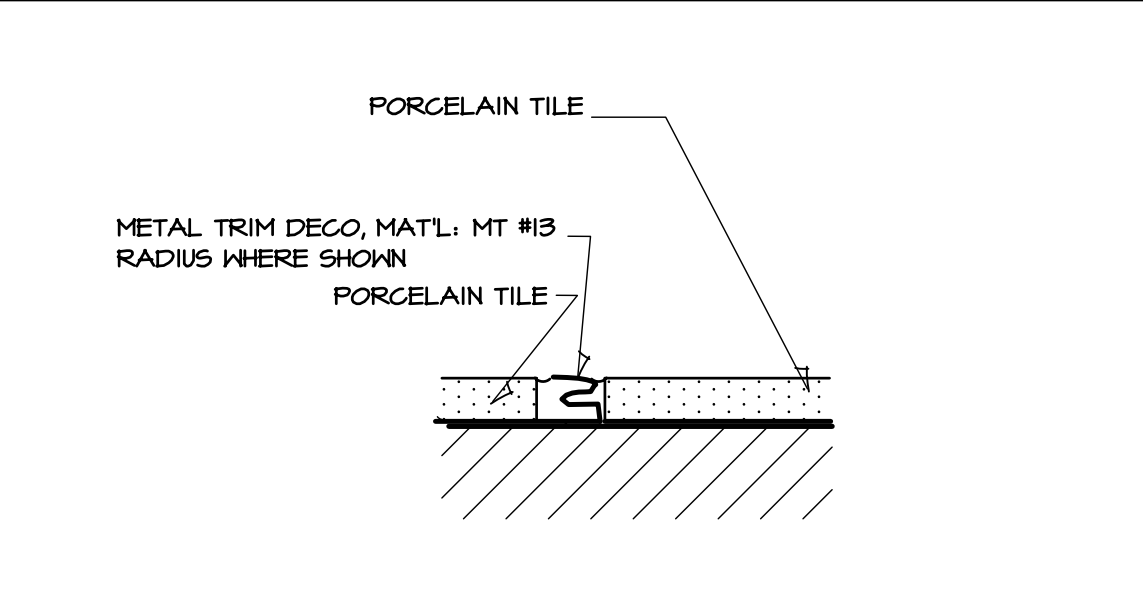
13 SLOPED METAL TRANSITION TRIM
 SPECIAL ORDER RADIUS TRIM WHERE APPLICABLE



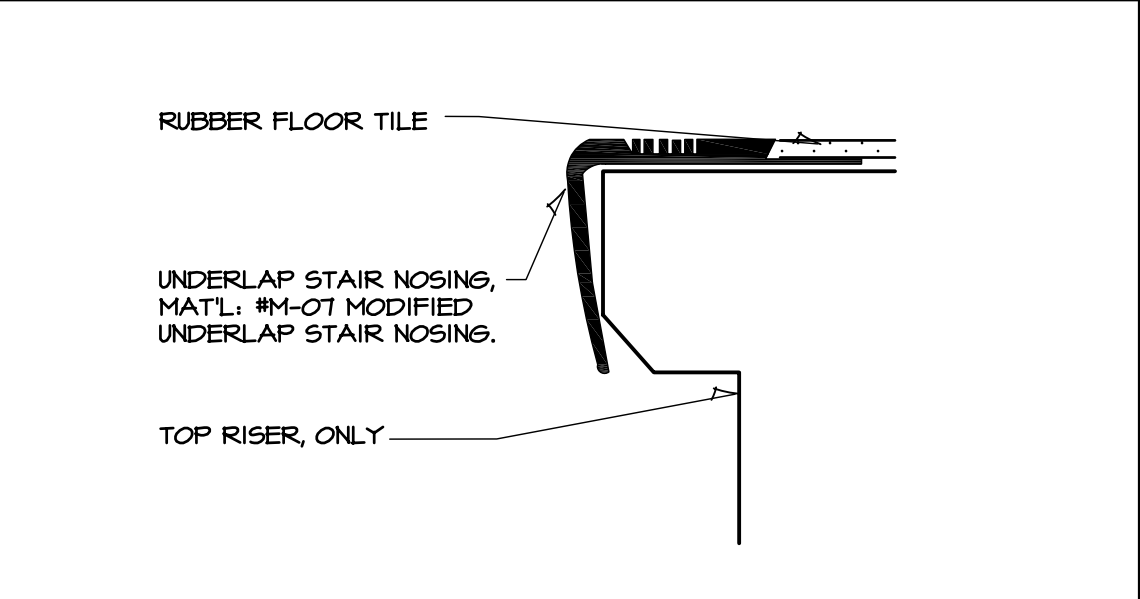
14 EDGE PROTECTION PROFILE



15 RAMP AT FITNESS ROOM WOOD FLOOR



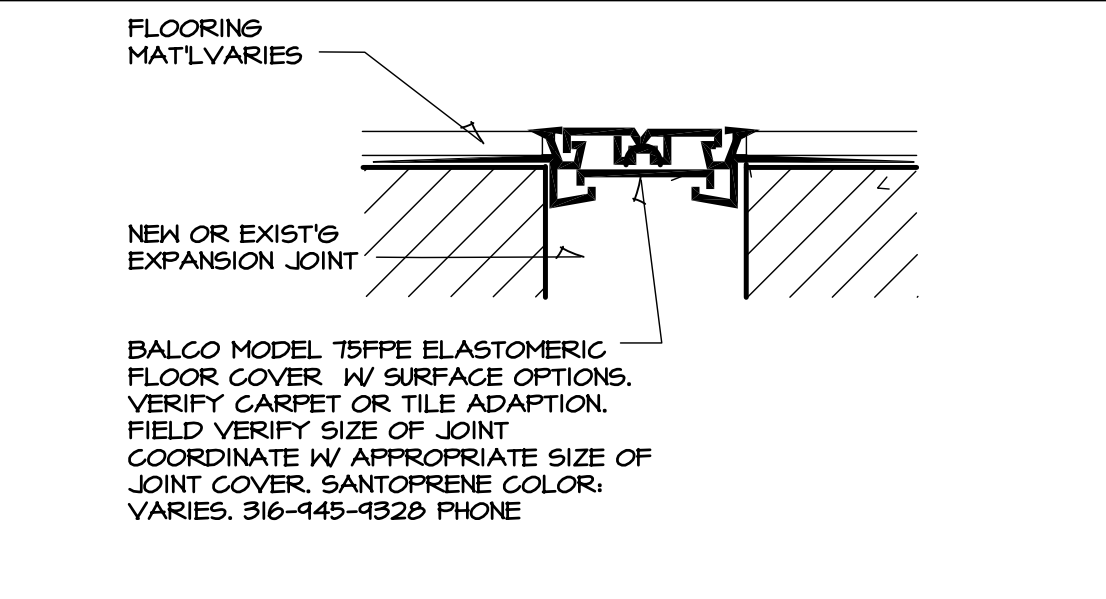
16 METAL TRIM DECORATIVE BORDER



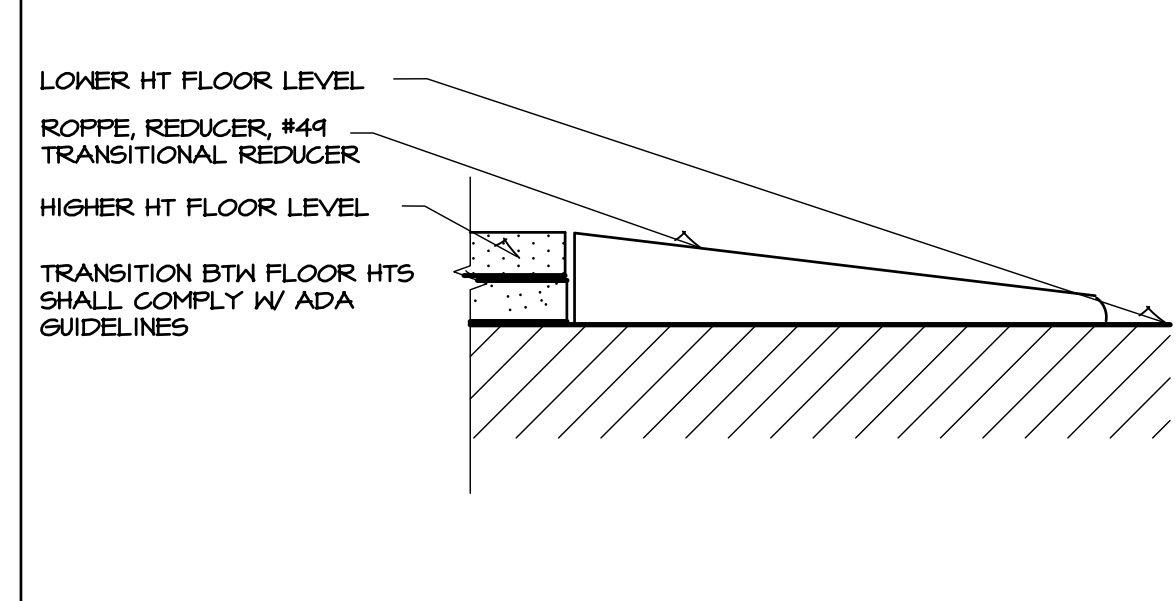
17 RUBBER STAIR NOSING ON RISER AND PLATFORM IN CYCLING
 EPOXY ADHESIVE TO SECURE NOSING.



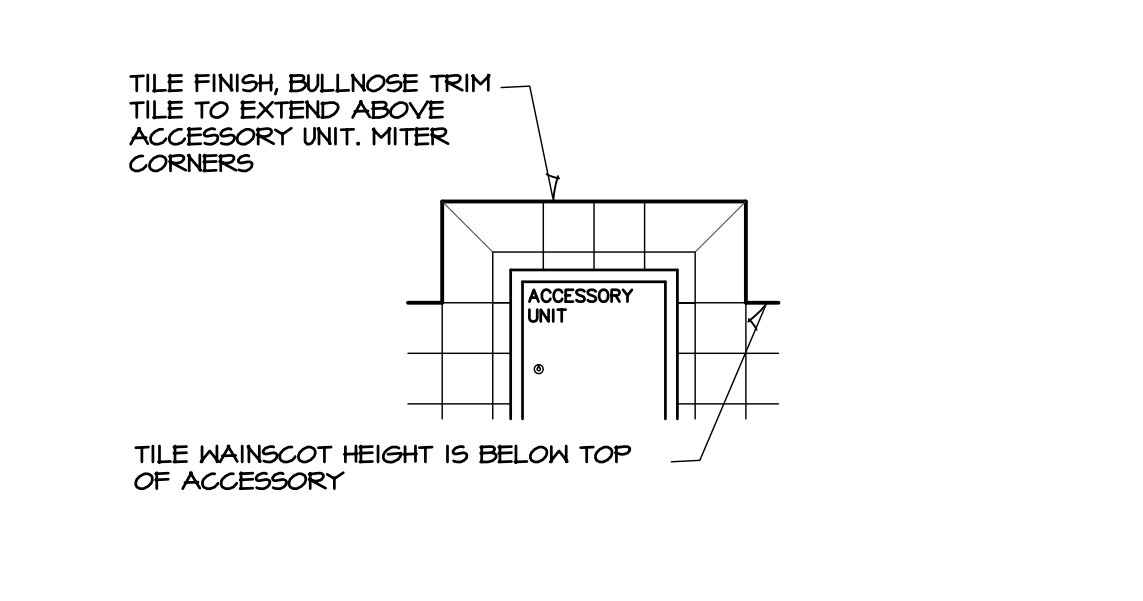
18 DETAIL NOT USED



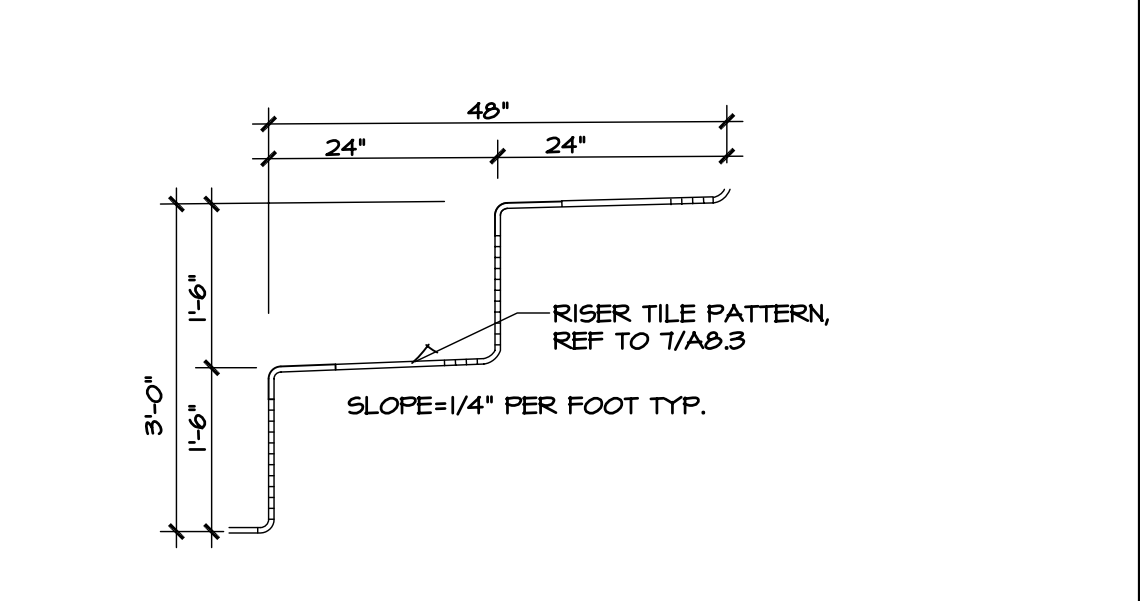
19 EXPANSION JOINT BETWEEN CARPET OR VCT FLOOR FINISHES.



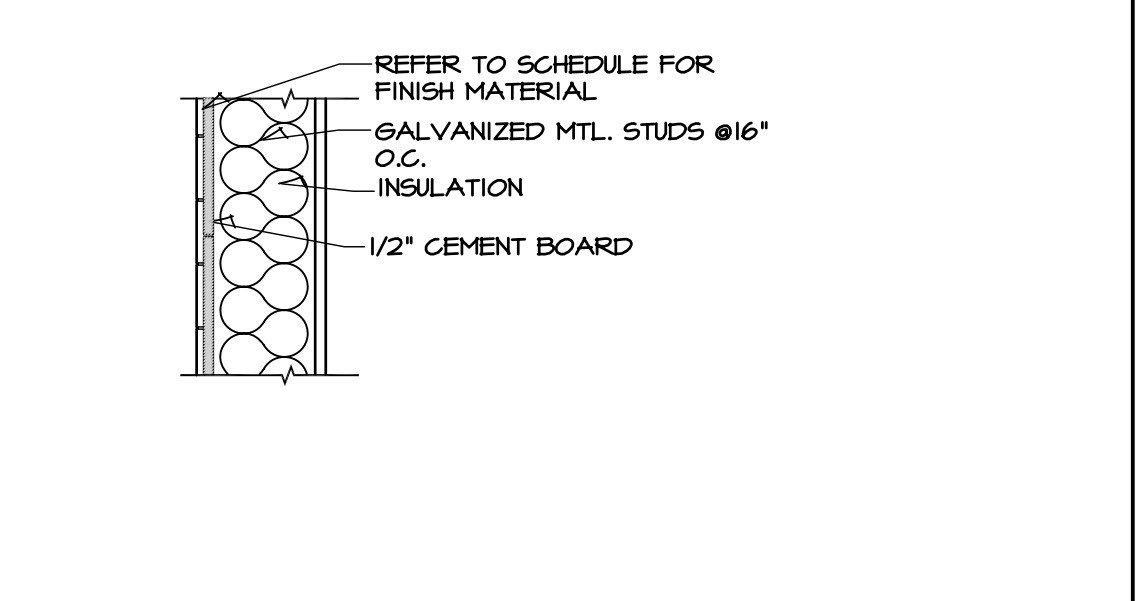
20 RAMP TRANSITION



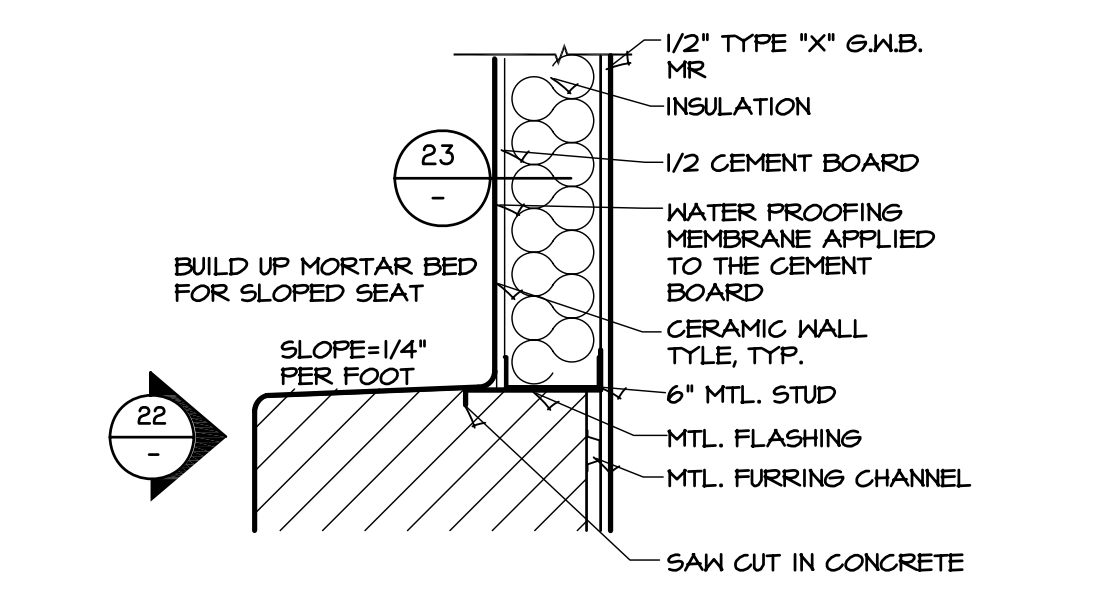
21 ACCESSORIES ABOVE TILE WAINGSCOT
 CHILDCARE RESTROOM



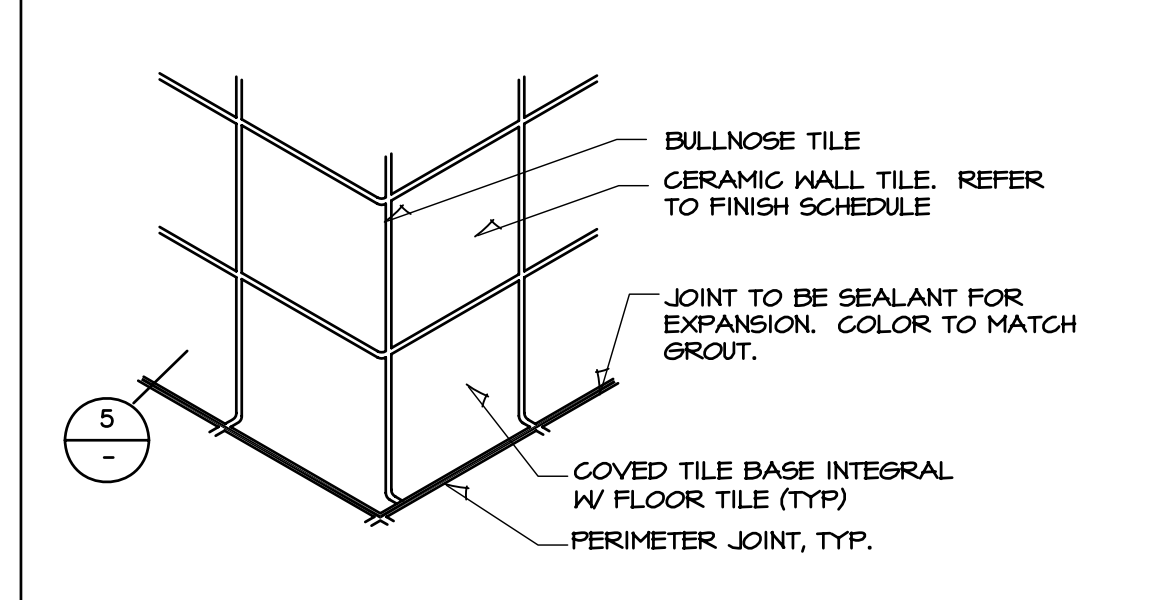
22 RISER DETAIL



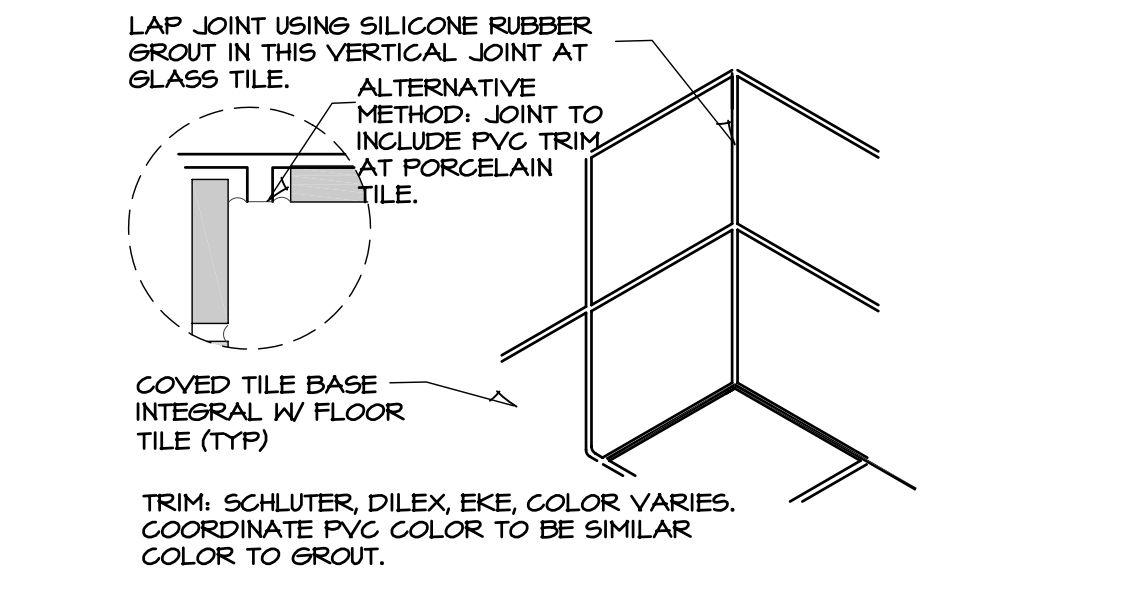
23 STEAM ROOM WALL



24 STEAM ROOM WALL & RISER JOINT.



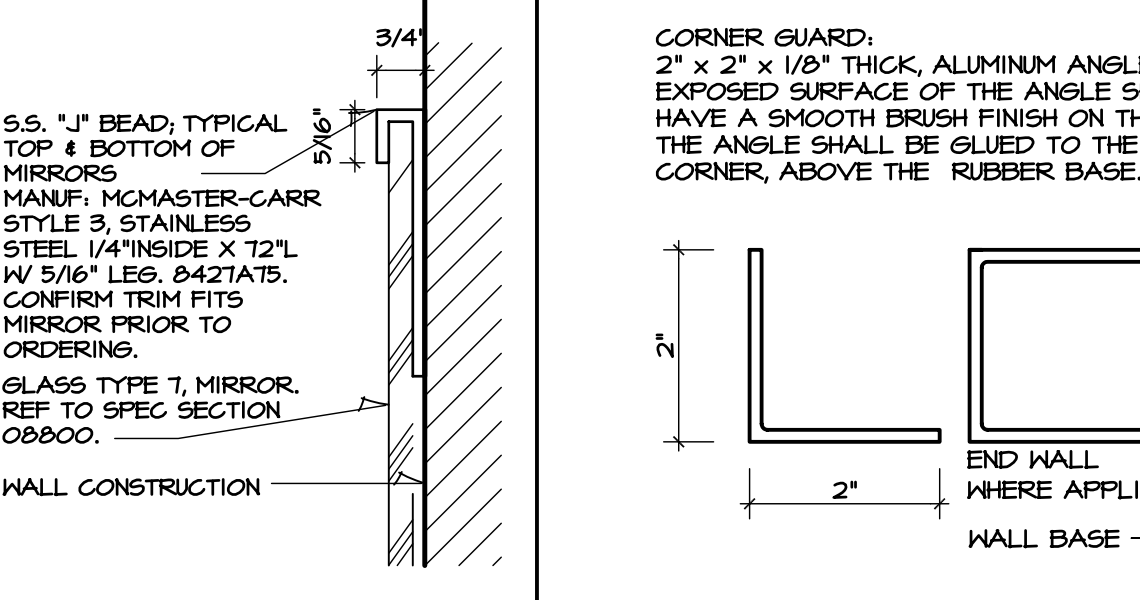
25 OUTSIDE CORNER & PERIMETER JOINT
 TONA: EJ17F
 REFER TO CURRENT TONA GUIDELINES



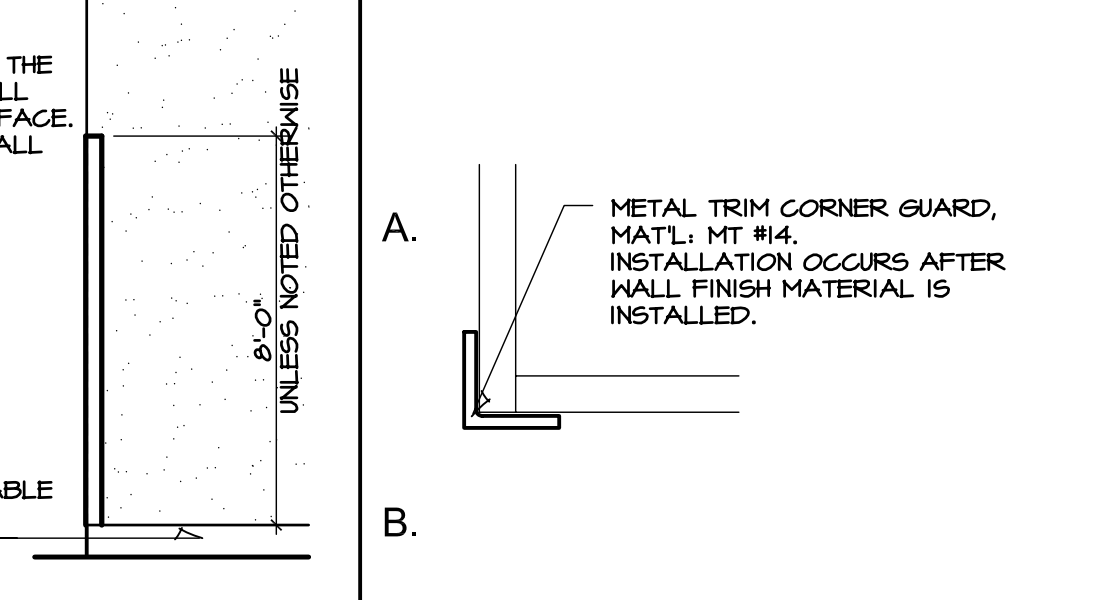
26 INSIDE CORNER JOINT
 TONA: EJ17F
 REFER TO CURRENT TONA GUIDELINES



27 DETAIL NOT USED
 WINDOW SILL DETAIL 8/A8.5



28 MIRROR TRIM



29 CORNER GUARD

DRAWINGS ISSUED		
NO.	DATE	ITEM ISSUED
10	4/20/22	ADDENDUM #2
9	2/1/22	PERMIT SET
8	1/25/22	CHECK SET
7	12/15/21	CHECK SET
6	9/24/21	CHECK SET
5	8/21/21	SITE PLAN REVIEW
4	1/21/21	UDRB SUBMITTAL
3	1/08/21	MILESTONE DEV. PLAN
2	5/25/21	CONCEPT DEV. PLAN
1	3/20/21	CONCEPT DEV. PLAN

COMPUTER DRAWING
 DMS_A806.dwg

DATE: AUGUST 2021
 DRAWN BY: CHECKED BY:
 MH, CH, DH, TH, TC MRH

SHEET
A8.6
 OF SHEETS