

4/24/22
HANNEY & ASSOCIATES, ARCHITECTS
 1726 South Hillside, Wichita, Kansas 67211
 Phone (316) 683-8985
 Fax (316) 684-1441

2022 GENESIS HEALTH CLUBS
SOUTHBRIDGE MALL
 1111 East Army Post Road
 Des Moines, Iowa 50315

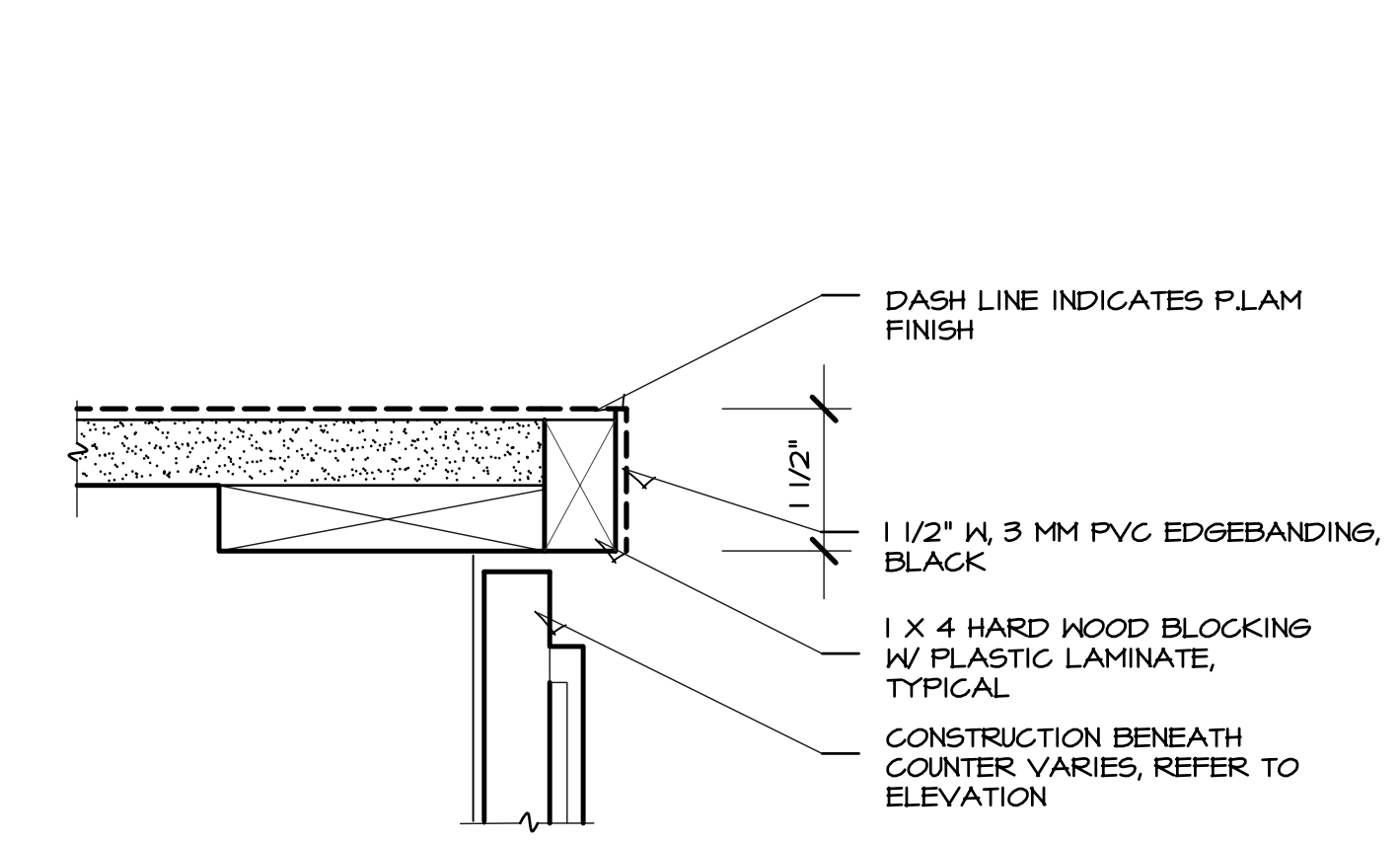


DRAWINGS ISSUED			
NO.	DATE	ITEM	ISSUED
11	4/24/22	ADDENDUM 3	
10	3/25/22	CODE REVISIONS	
4	2/11/22	PERMIT SET	
8	1/25/22	CHECK SET	
7	12/15/21	CHECK SET	
6	9/24/21	CHECK SET	
5	8/21/21	SITE PLAN REVIEW	
4	1/21/21	UDRB SUBMITTAL	
3	1/08/21	MILESTONE DEV. PLAN	
2	5/25/21	CONCEPT DEV. PLAN	
1	3/20/21	CONCEPT DEV. PLAN	

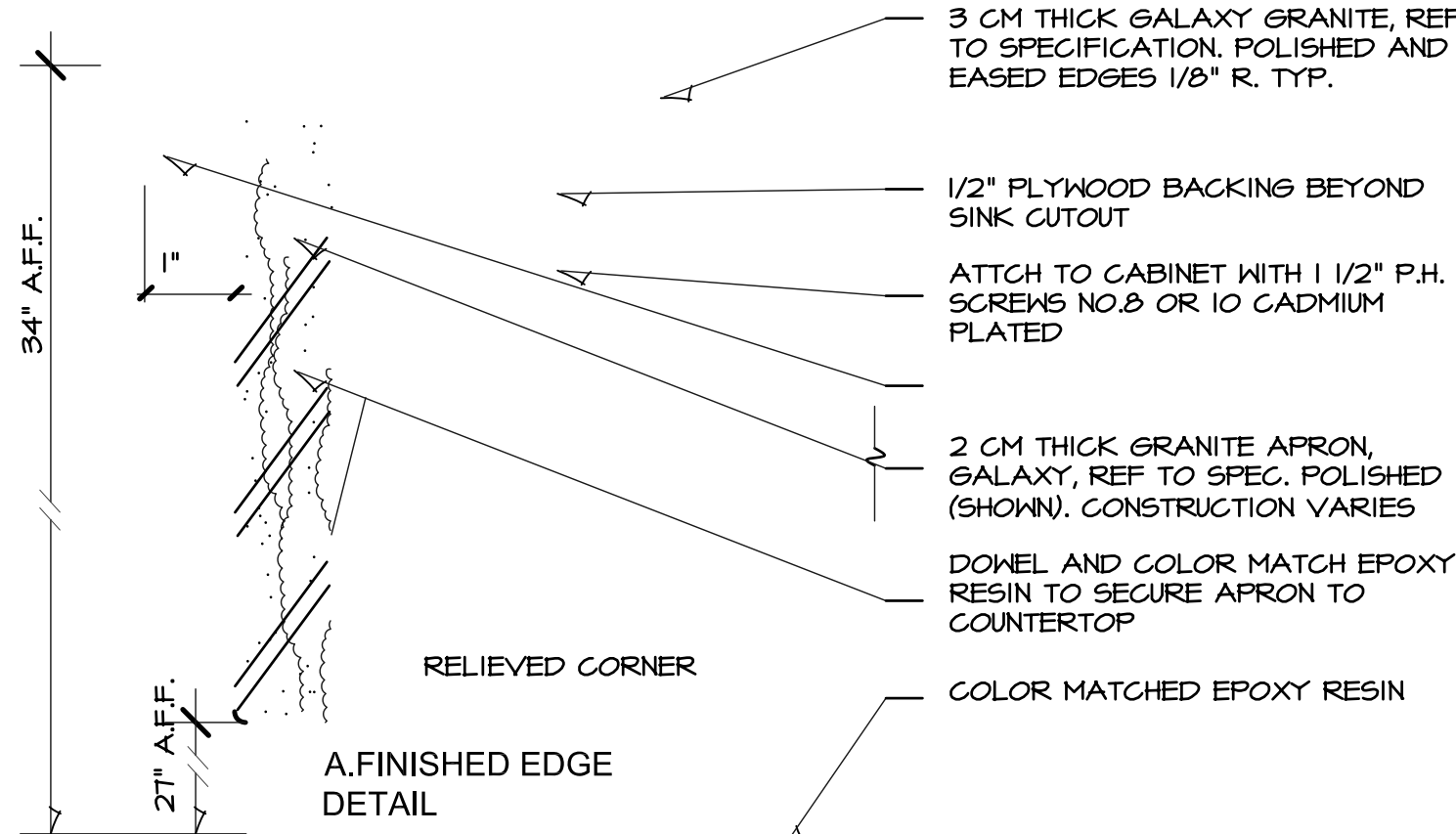
COMPUTER DRAWING
 DMS_A707.dwg

DATE: AUGUST 2021
 DRAWN BY: CHECKED BY:
 MH, CH, DH, TH, TC MRH

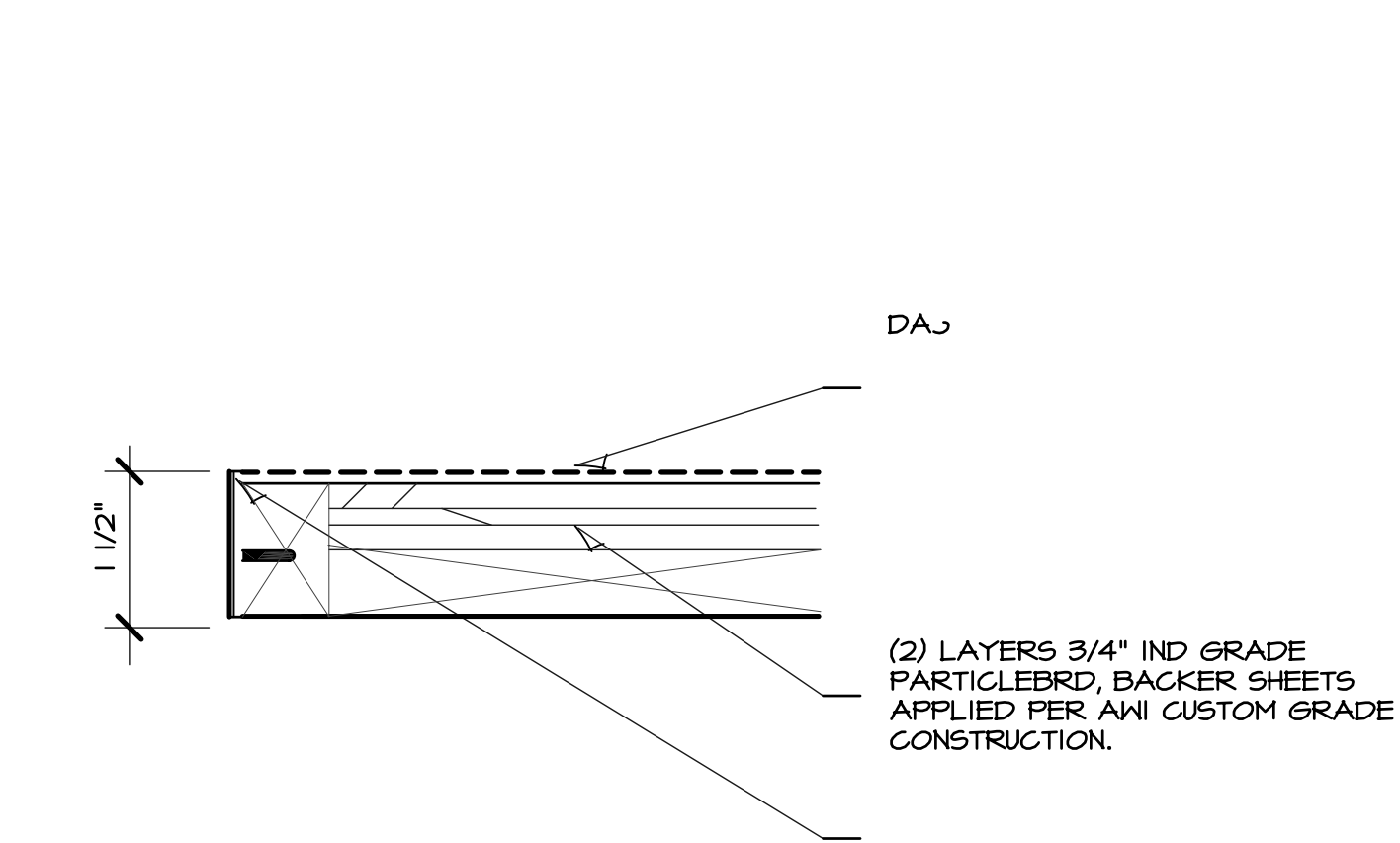
SHEET
A7.7
 OF SHEETS



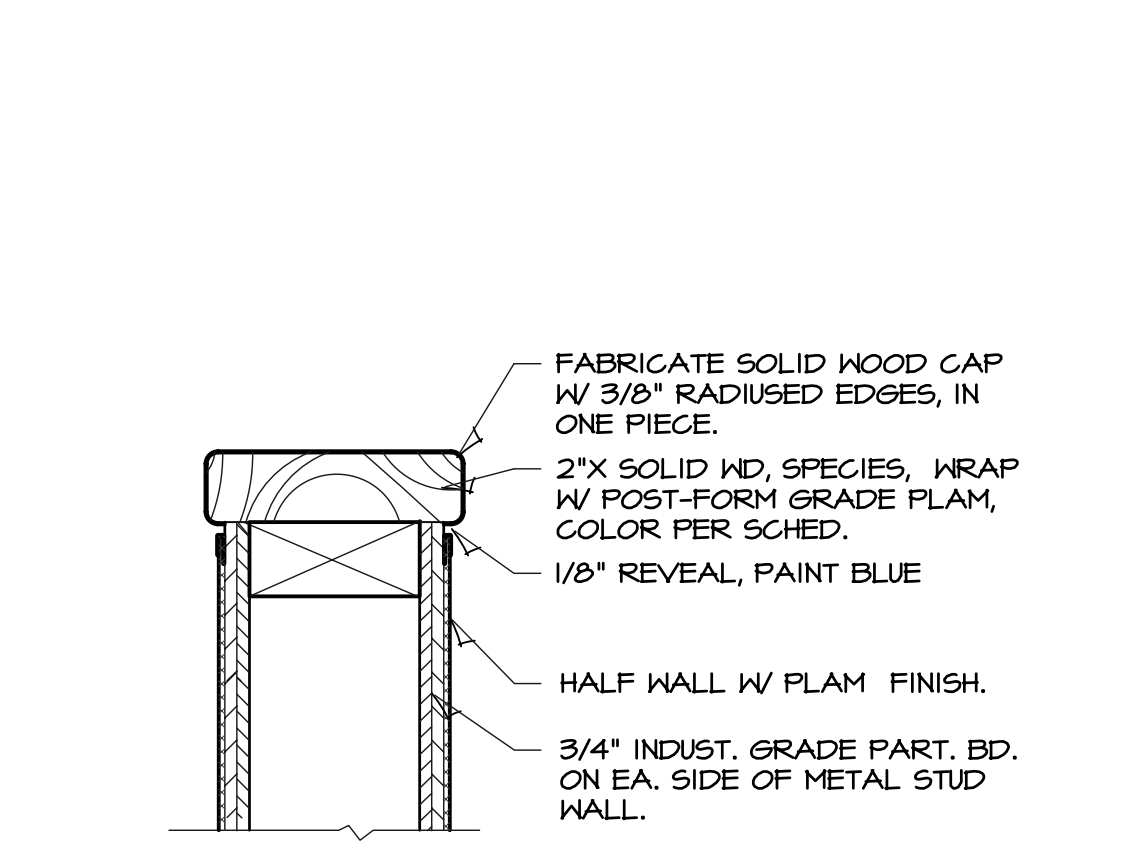
SECTION A LAMINATE COUNTER EDGE
 SCALE 6" = 1'-0"



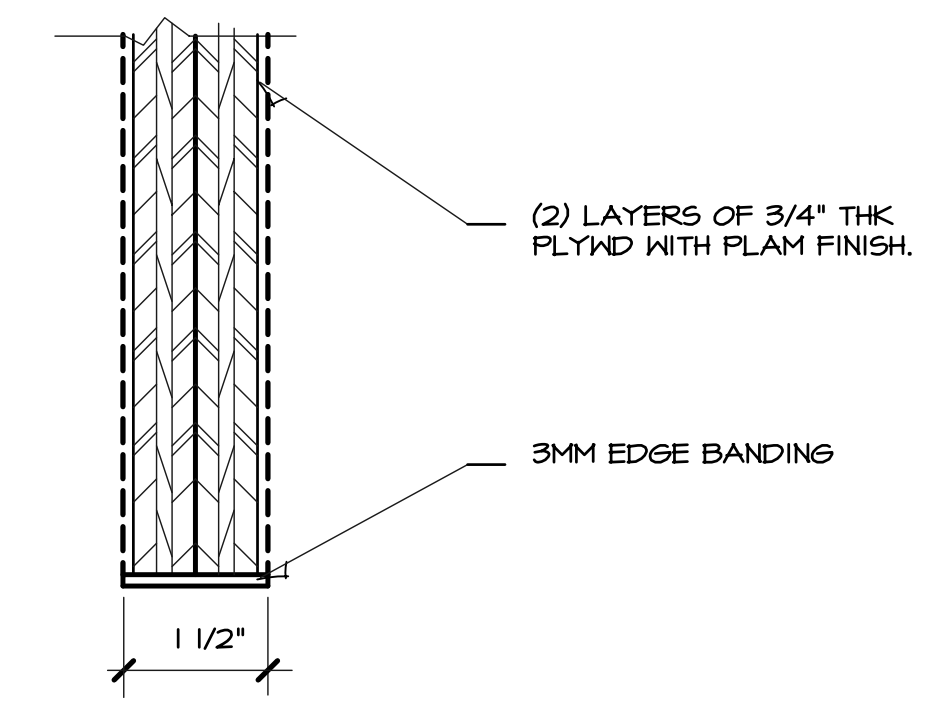
SECTION B ENLARGED DTL LAV COUNTER
 SCALE 6" = 1'-0"



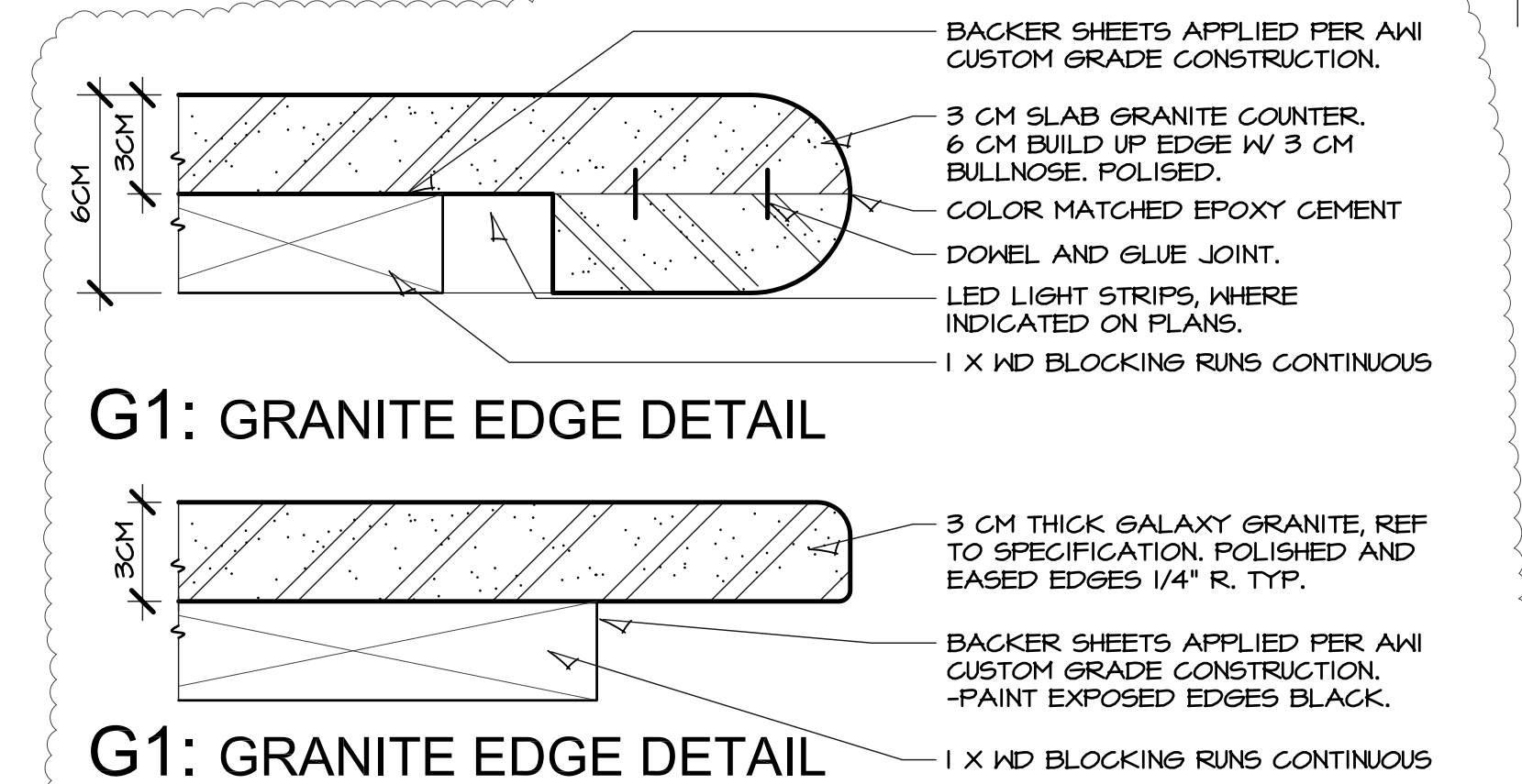
SECTION C WORKSTATION COUNTER EDGE
 SCALE 6" = 1'-0"



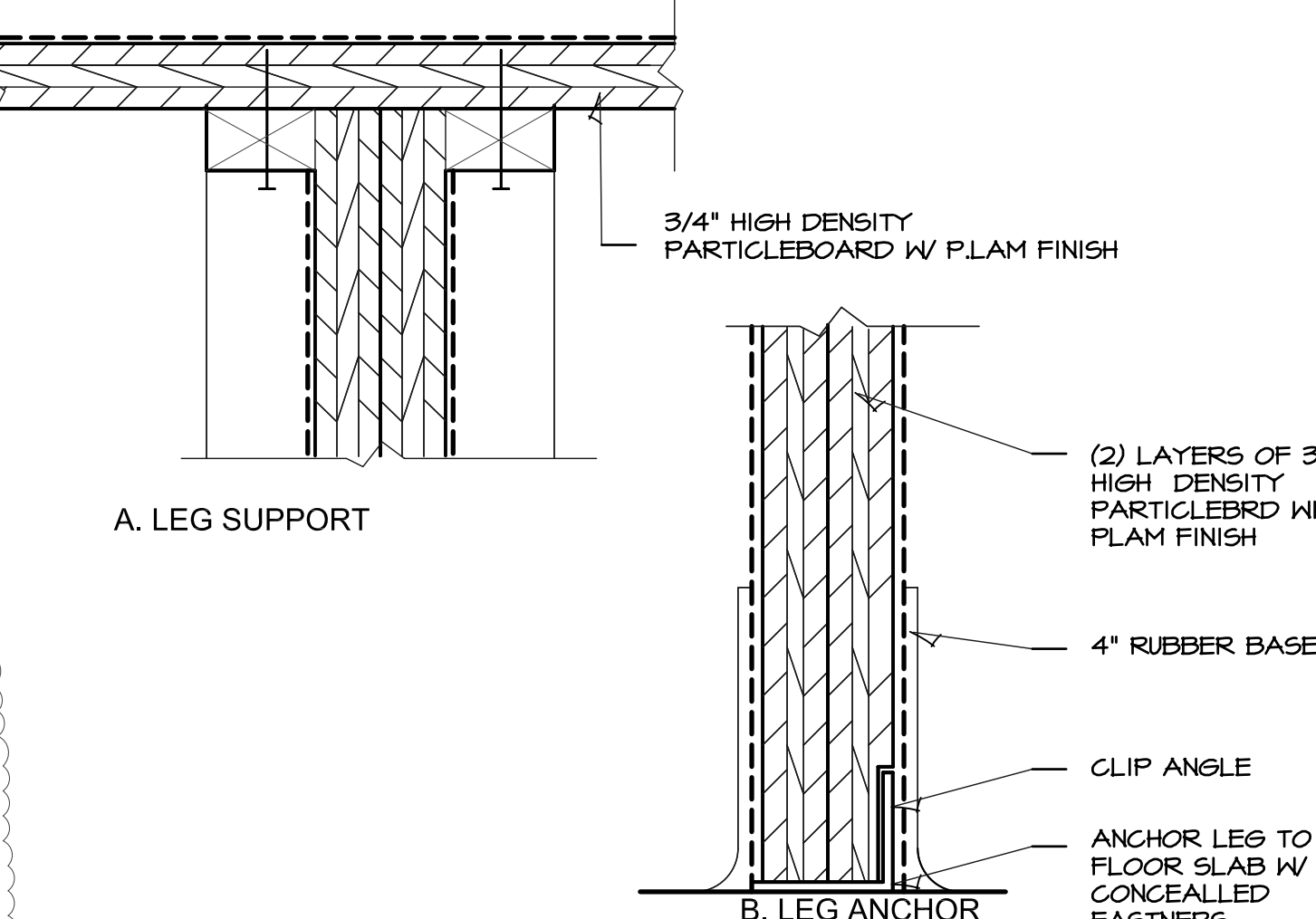
SECTION E CHILD-CARE HALF-WALL CAP
 SCALE 6" = 1'-0"



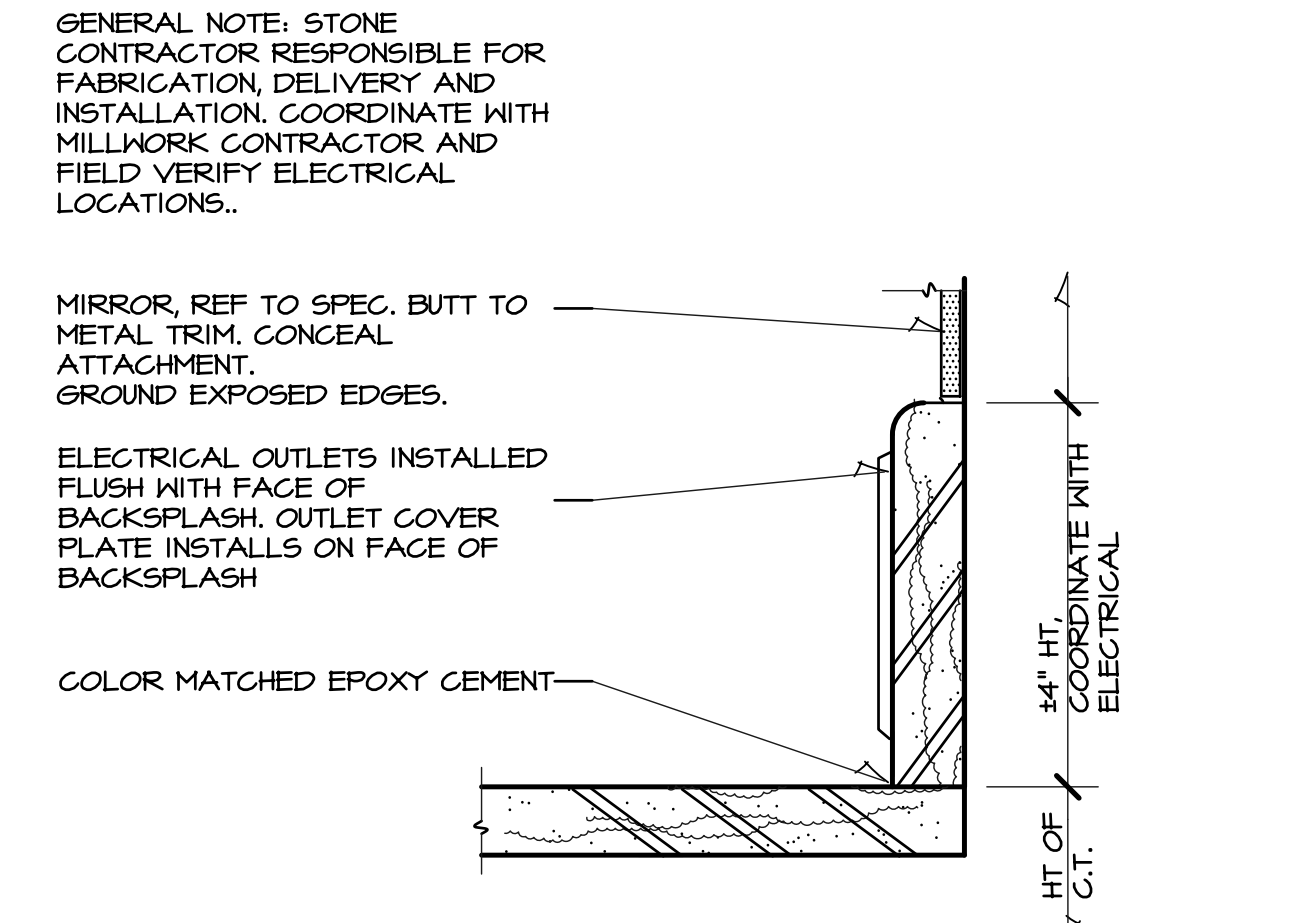
SECTION F ENLARGED DTL LEG
 SCALE 6" = 1'-0"



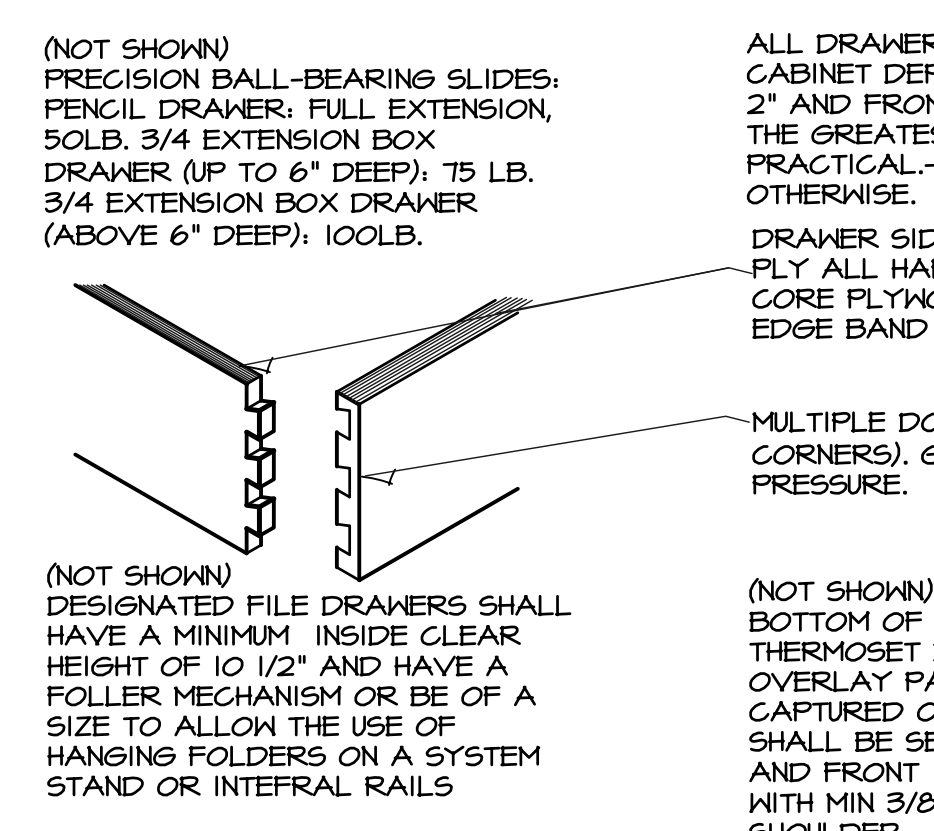
SECTION G CHECK-IN GRANITE EDGE & TYP EDGE
 SCALE 6" = 1'-0"



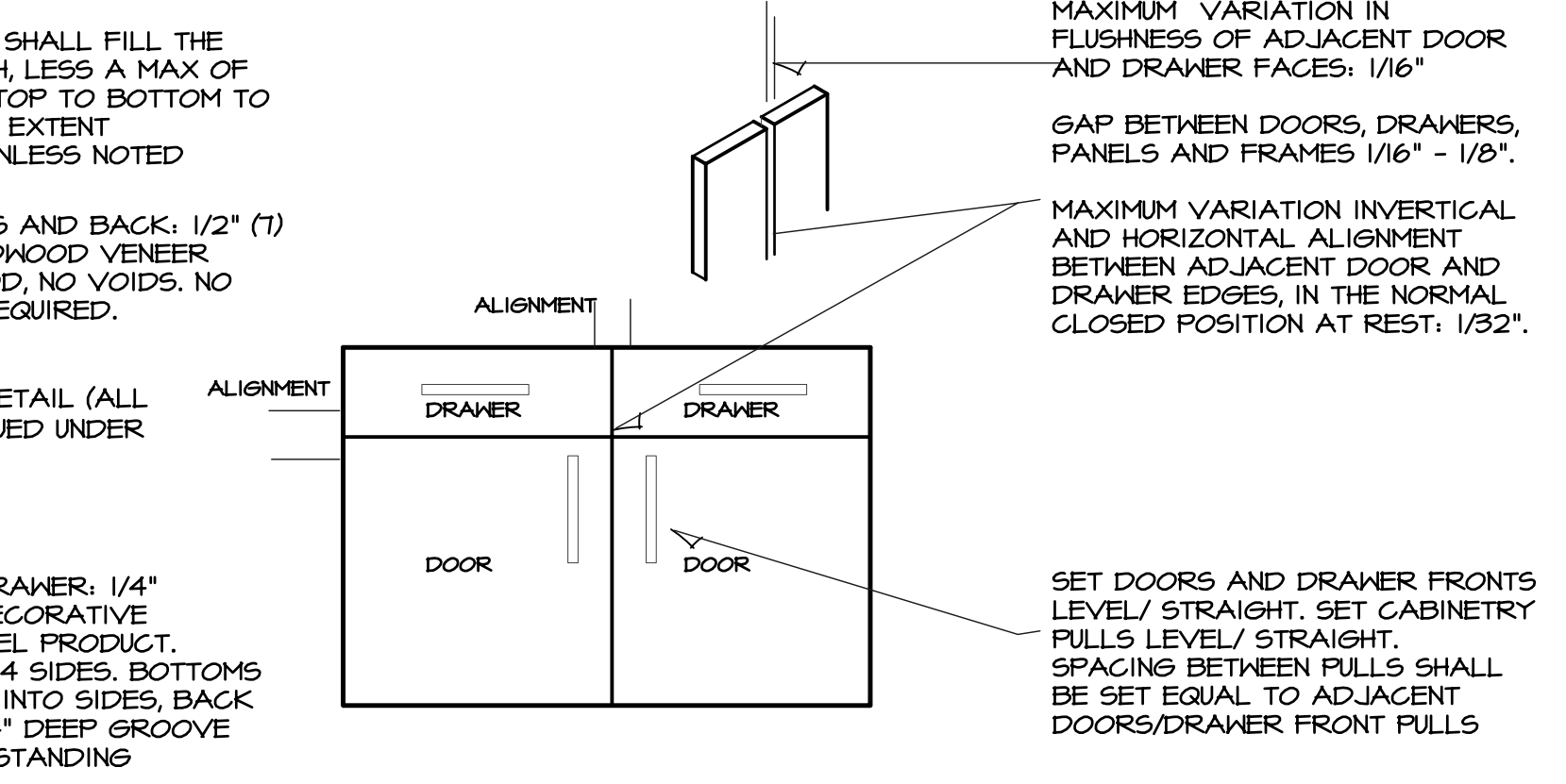
SECTION H ENLARGED DTL LEG SUPPORT
 SCALE 6" = 1'-0"



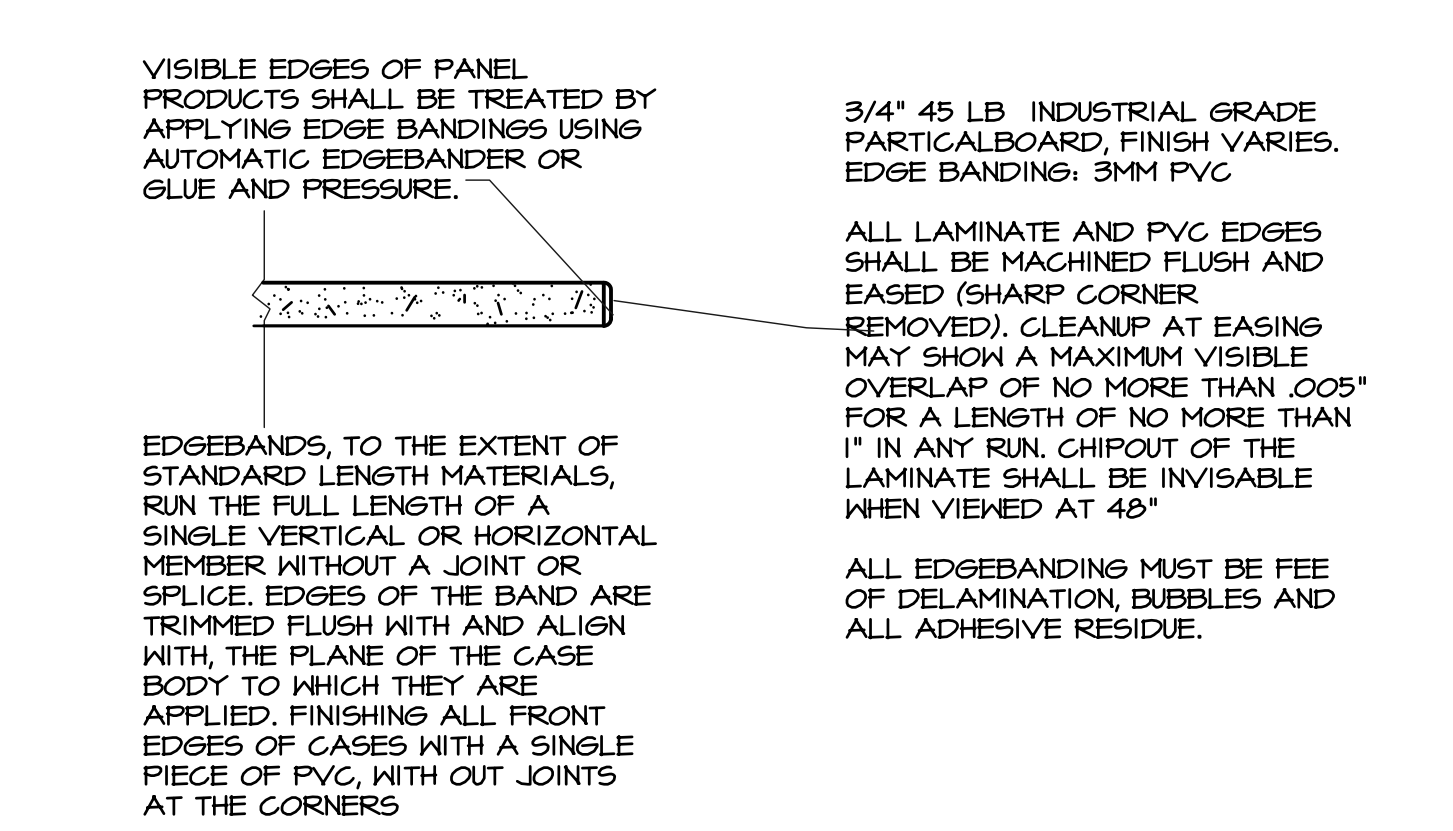
SECTION I ENLARGED DTL BACK SPLASH
 SCALE 6" = 1'-0"



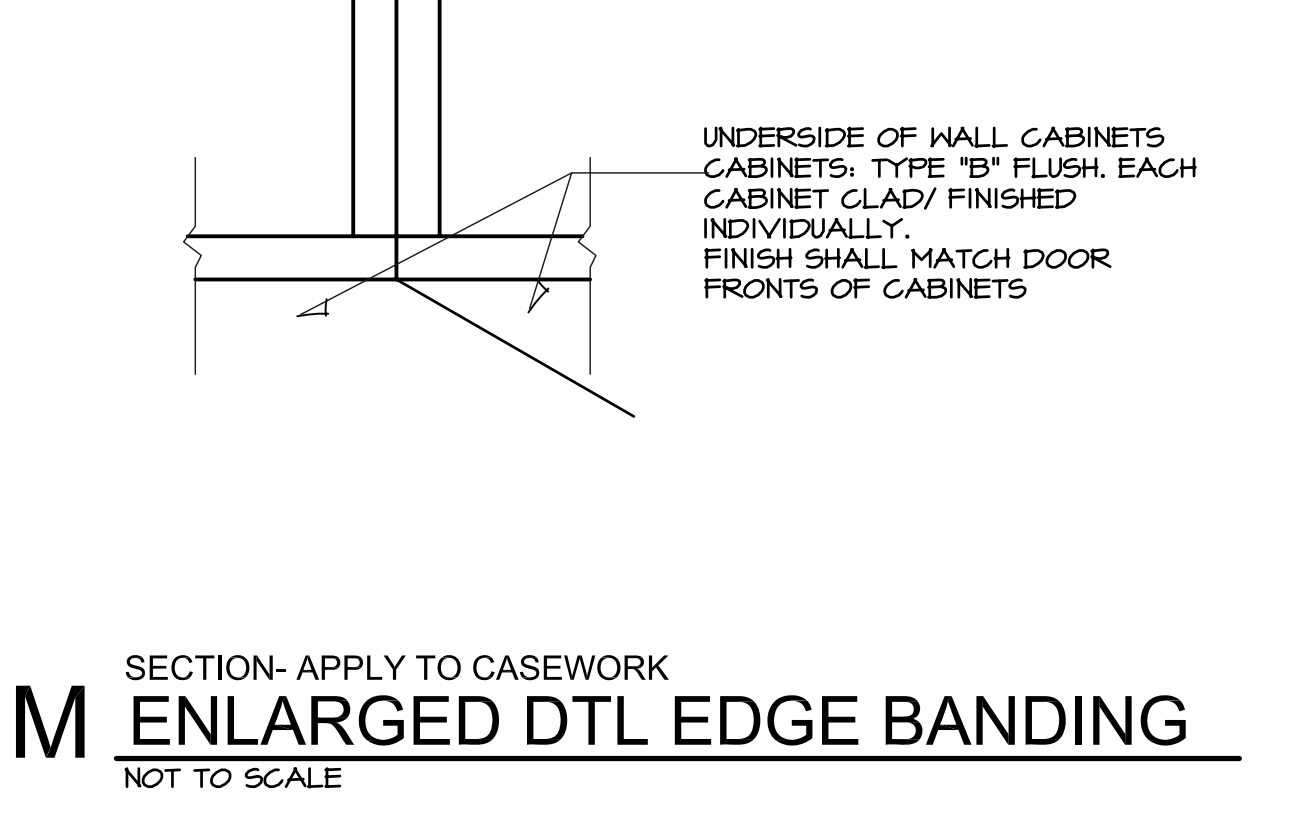
SECTION J DRAWER CONSTRUCTION
 NOT TO SCALE



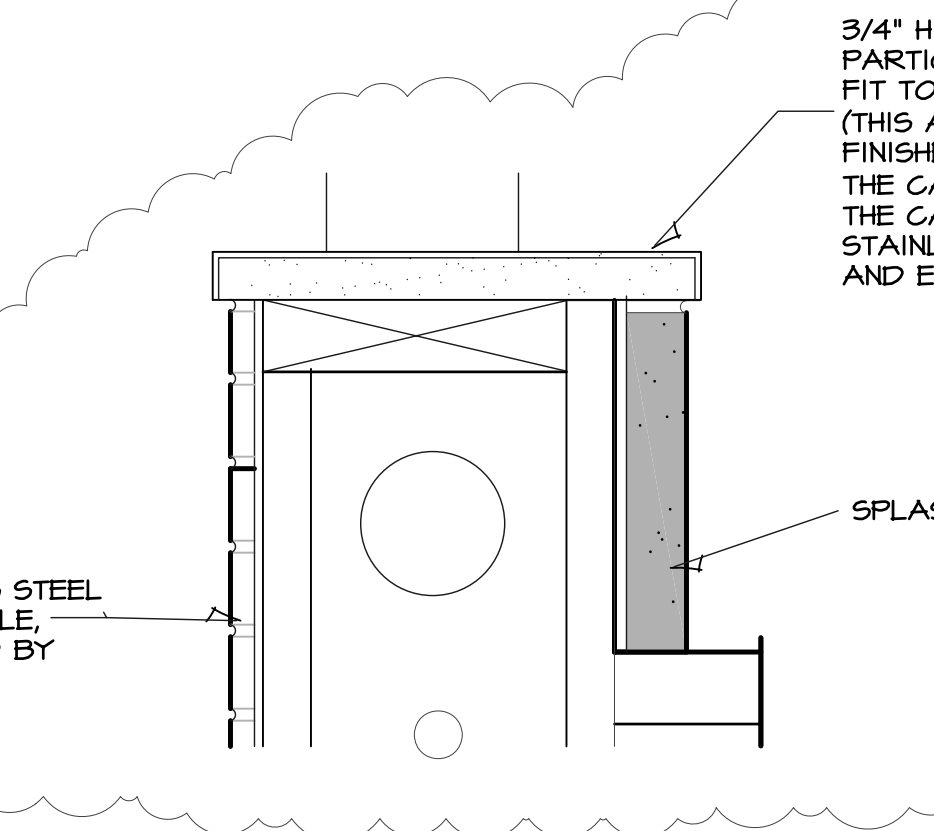
SECTION K ENLARGED DTL DOOR ALIGN
 NOT TO SCALE



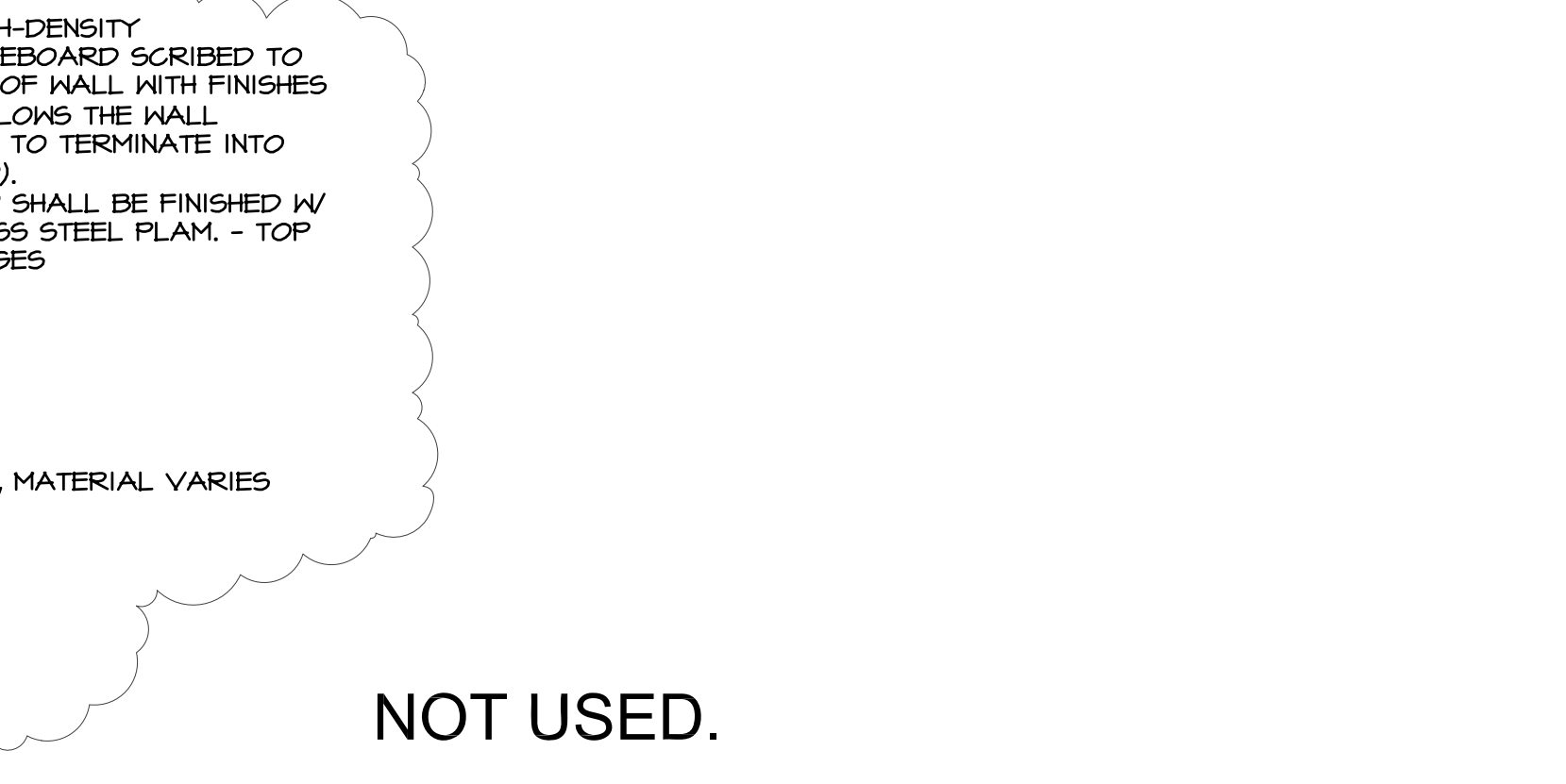
SECTION L ENLARGED DTL EDGE BANDING
 NOT TO SCALE



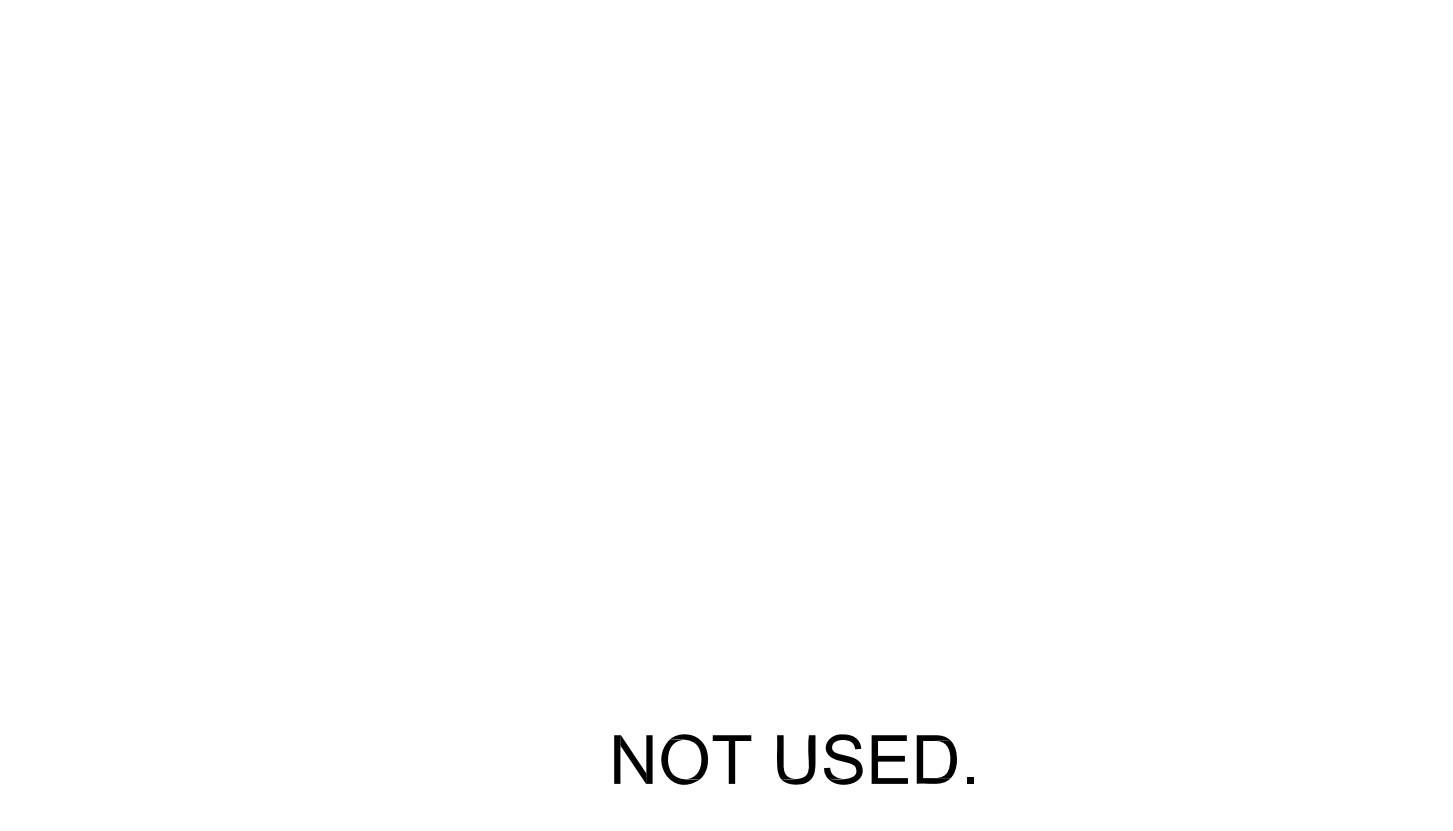
SECTION M ENLARGED DTL EDGE BANDING
 NOT TO SCALE



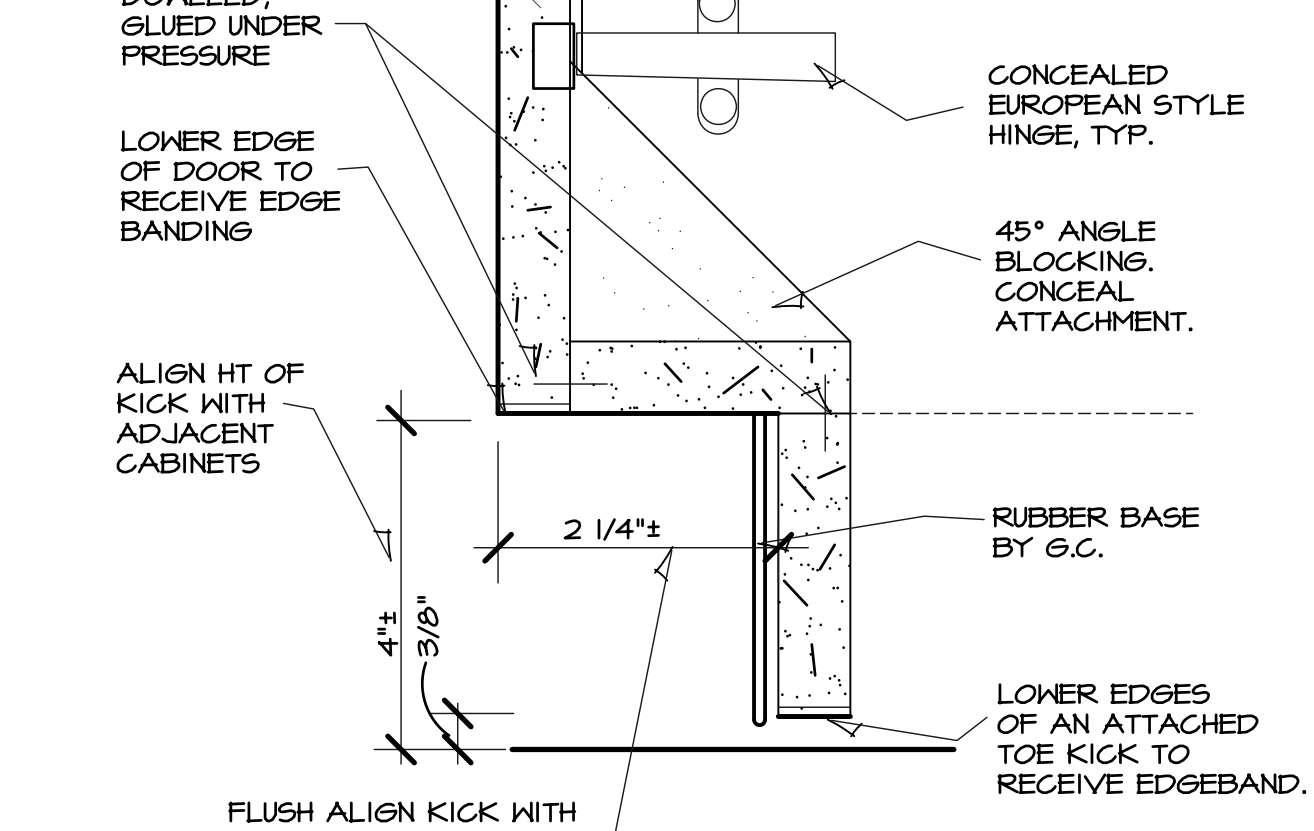
SECTION N CHECK-IN HALF-WALL
 NOT TO SCALE



SECTION O CHECK-IN HALF-WALL
 NOT TO SCALE



SECTION P CHECK-IN HALF-WALL
 NOT TO SCALE



SECTION R SINK CABINET AT CHECK-IN
 NOT TO SCALE