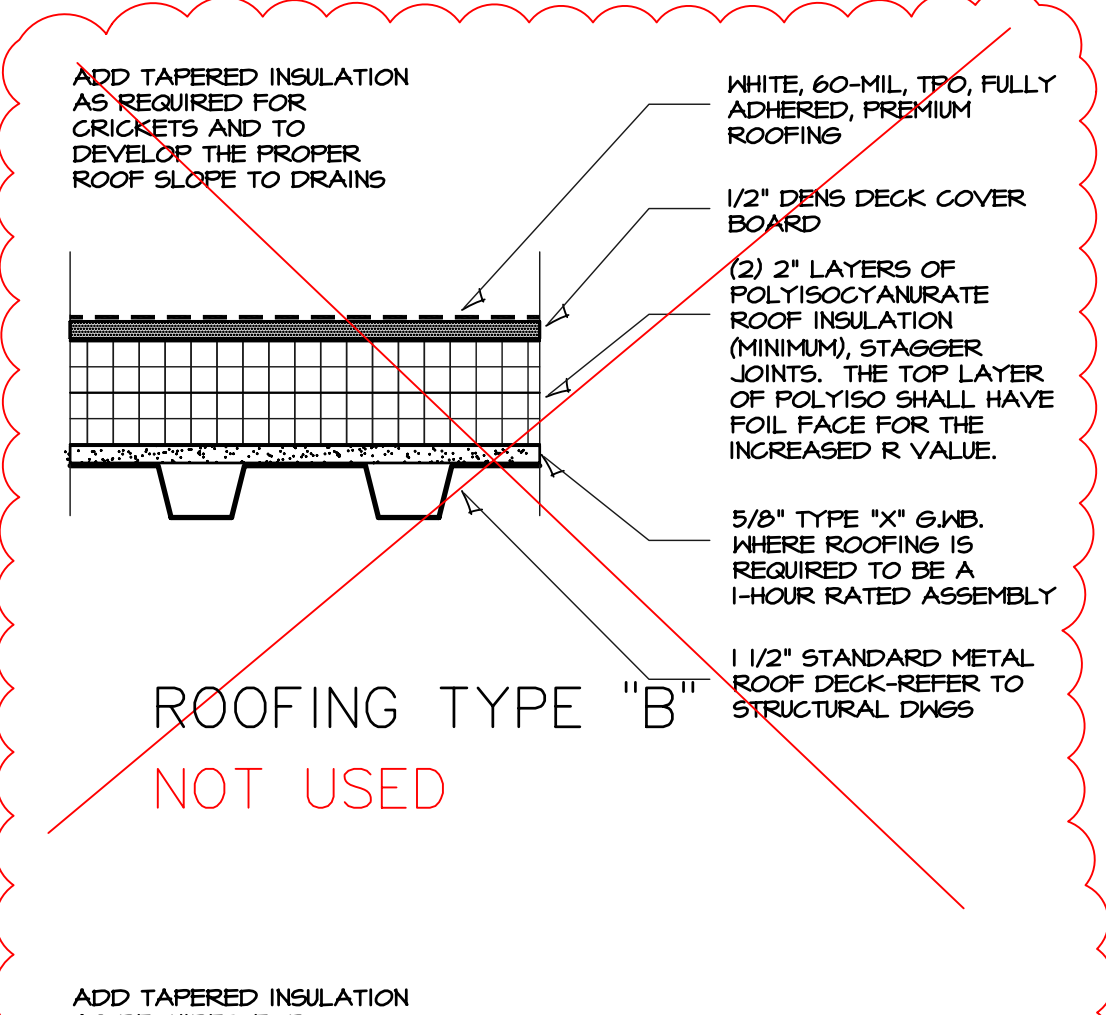
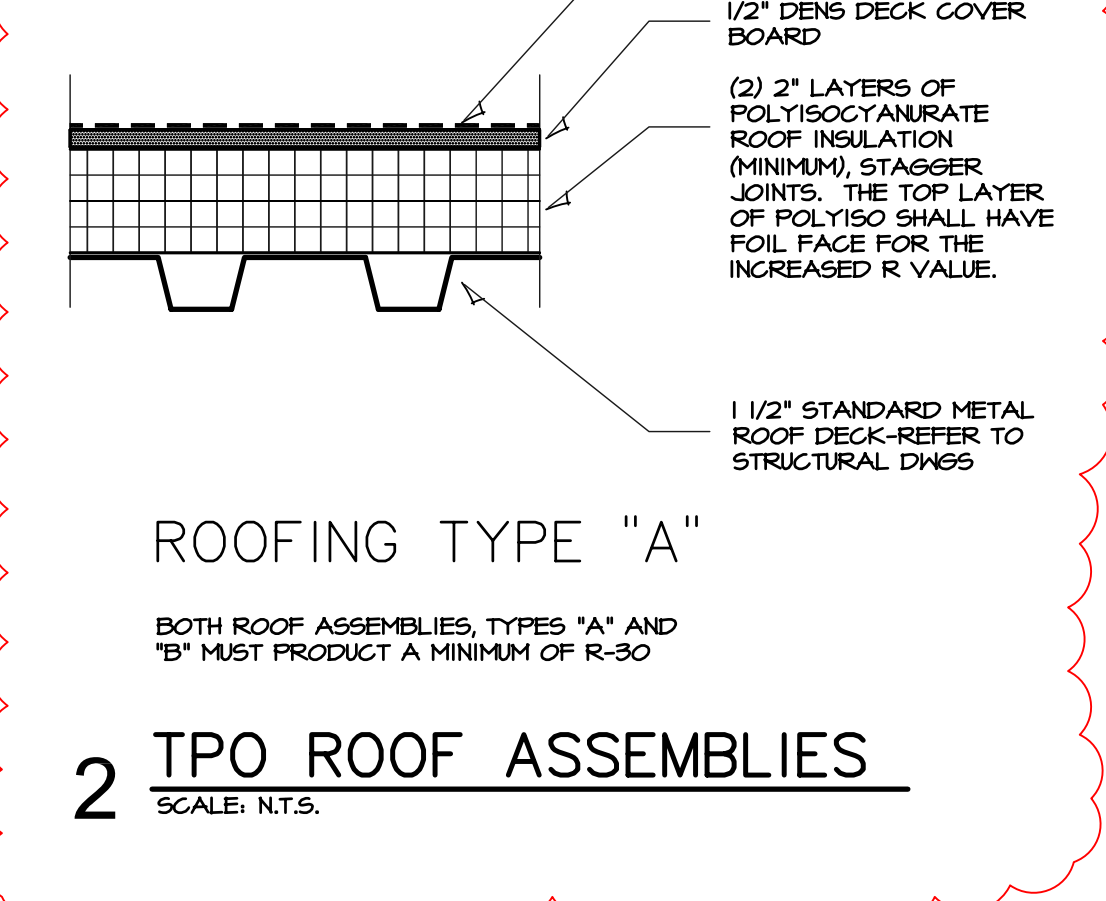


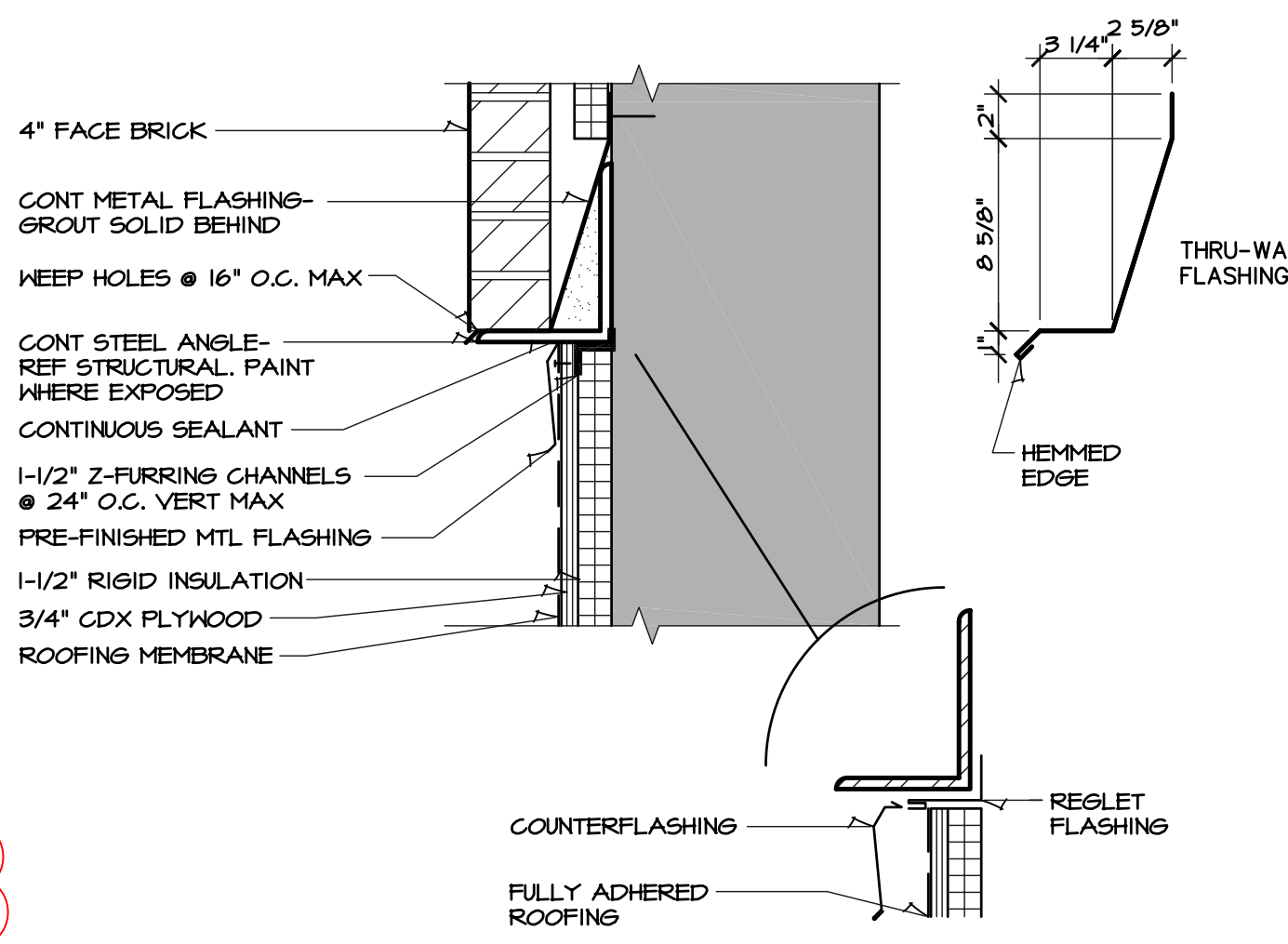
1 FLASHING DETAIL
SCALE: 1/2" = 1'-0"



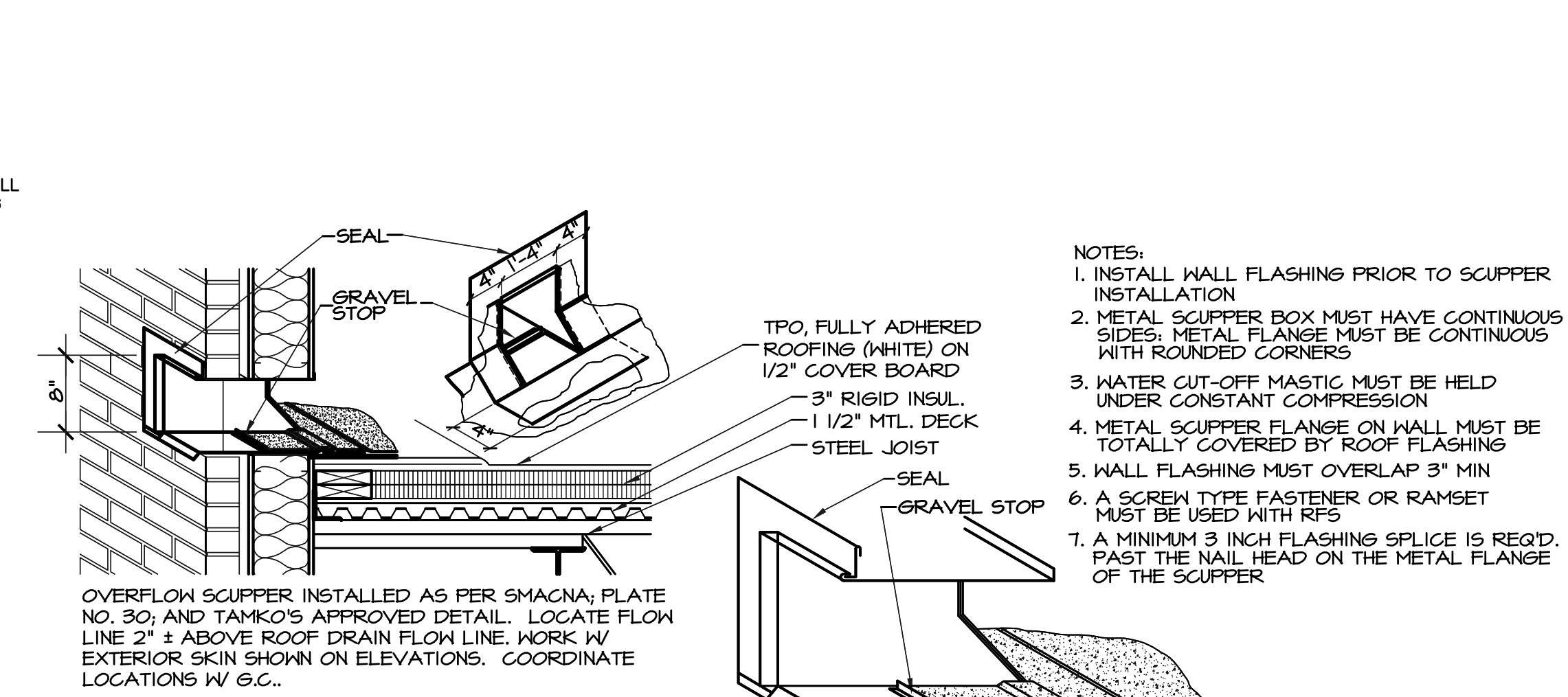
2 TPO ROOF ASSEMBLIES
SCALE: N.T.S.



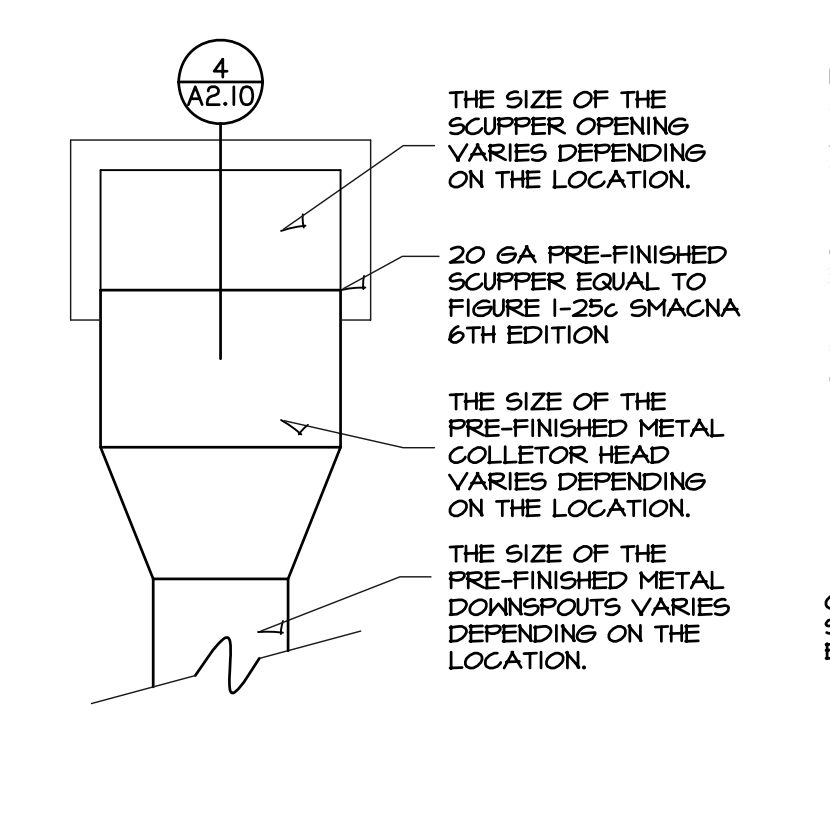
3 FLASHING DETAIL
SCALE: N.T.S.



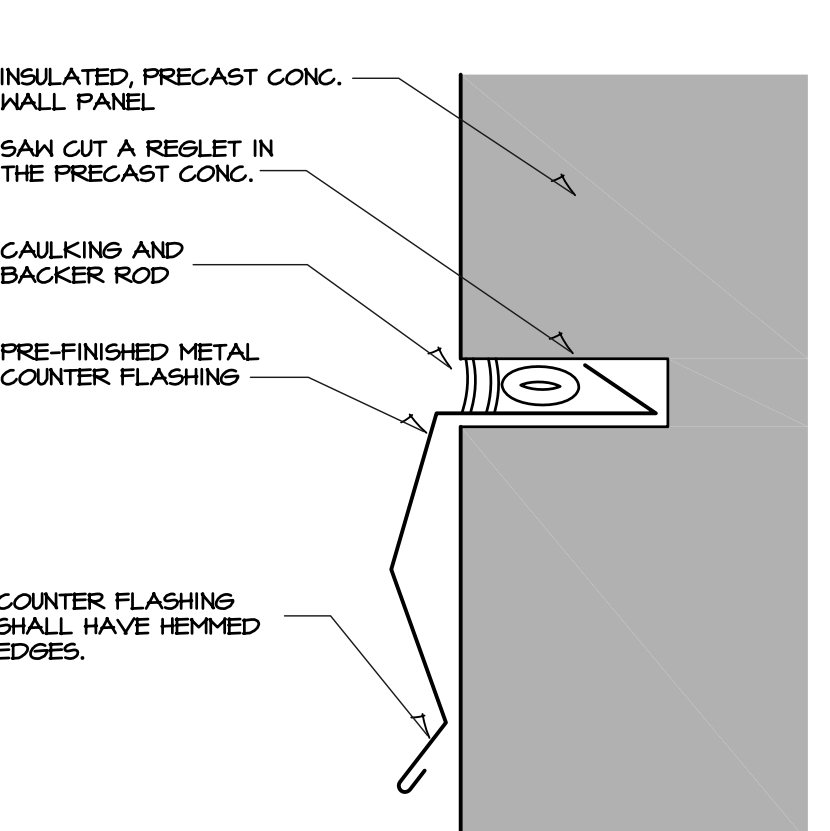
4 SCUPPER DETAIL
SCALE: N.T.S.



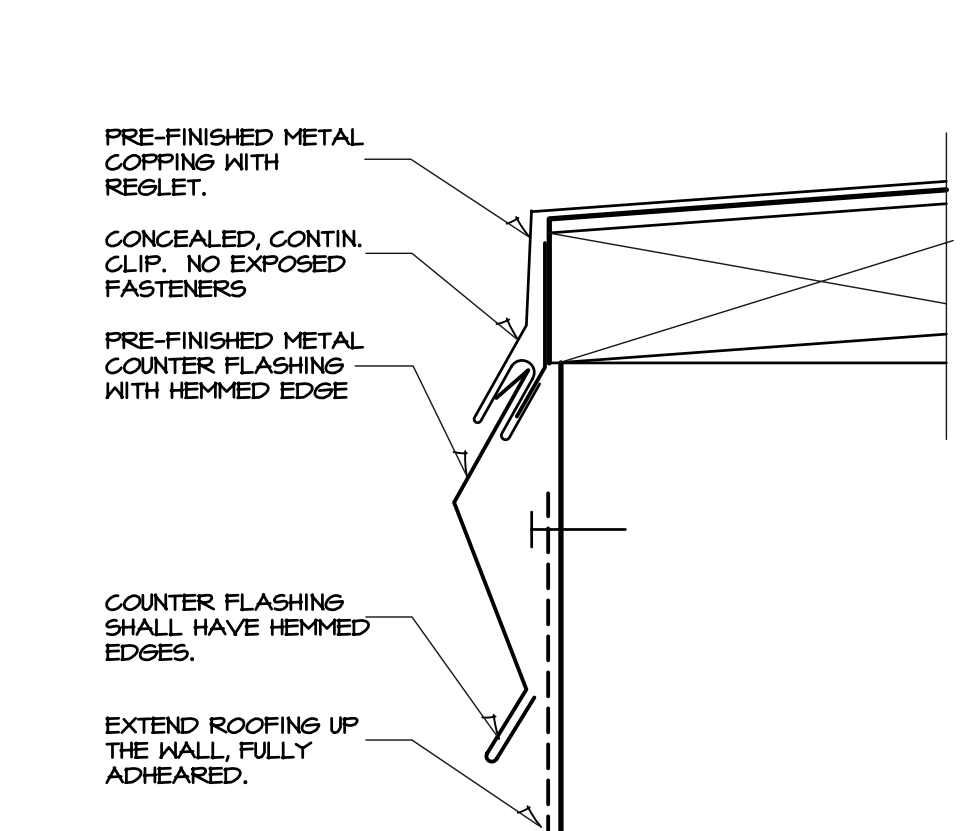
5 SCUPPER DETAIL
SCALE: N.T.S.



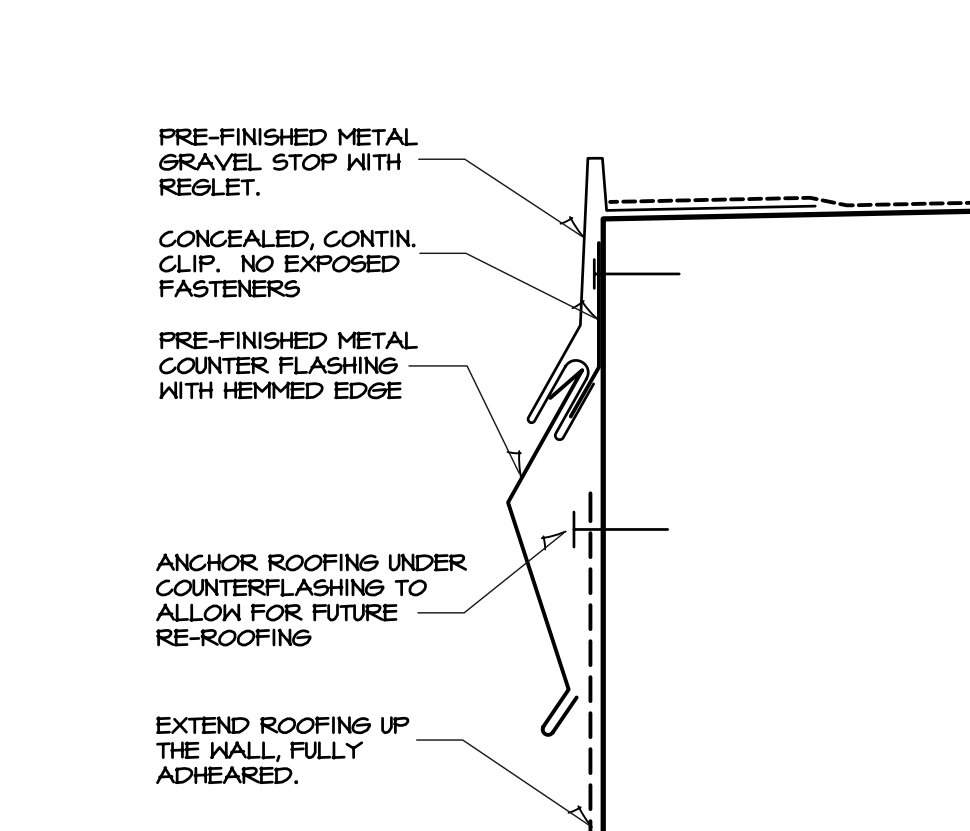
6 FLASHING DETAIL
SCALE: 6\"/>



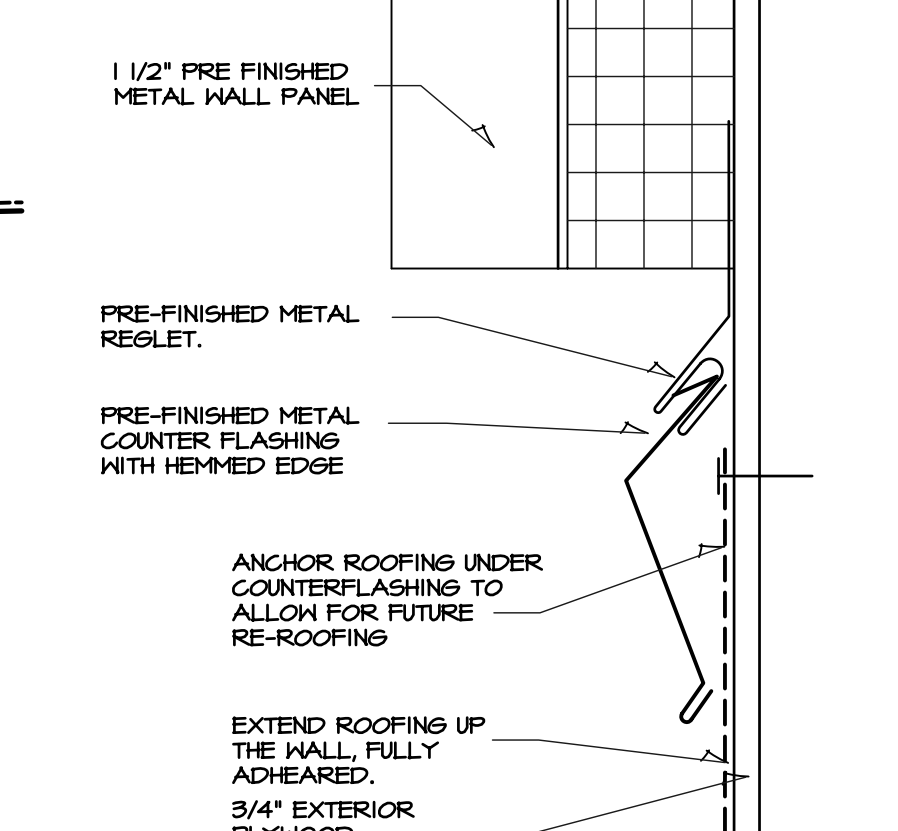
7 FLASHING DETAIL
SCALE: 6\"/>



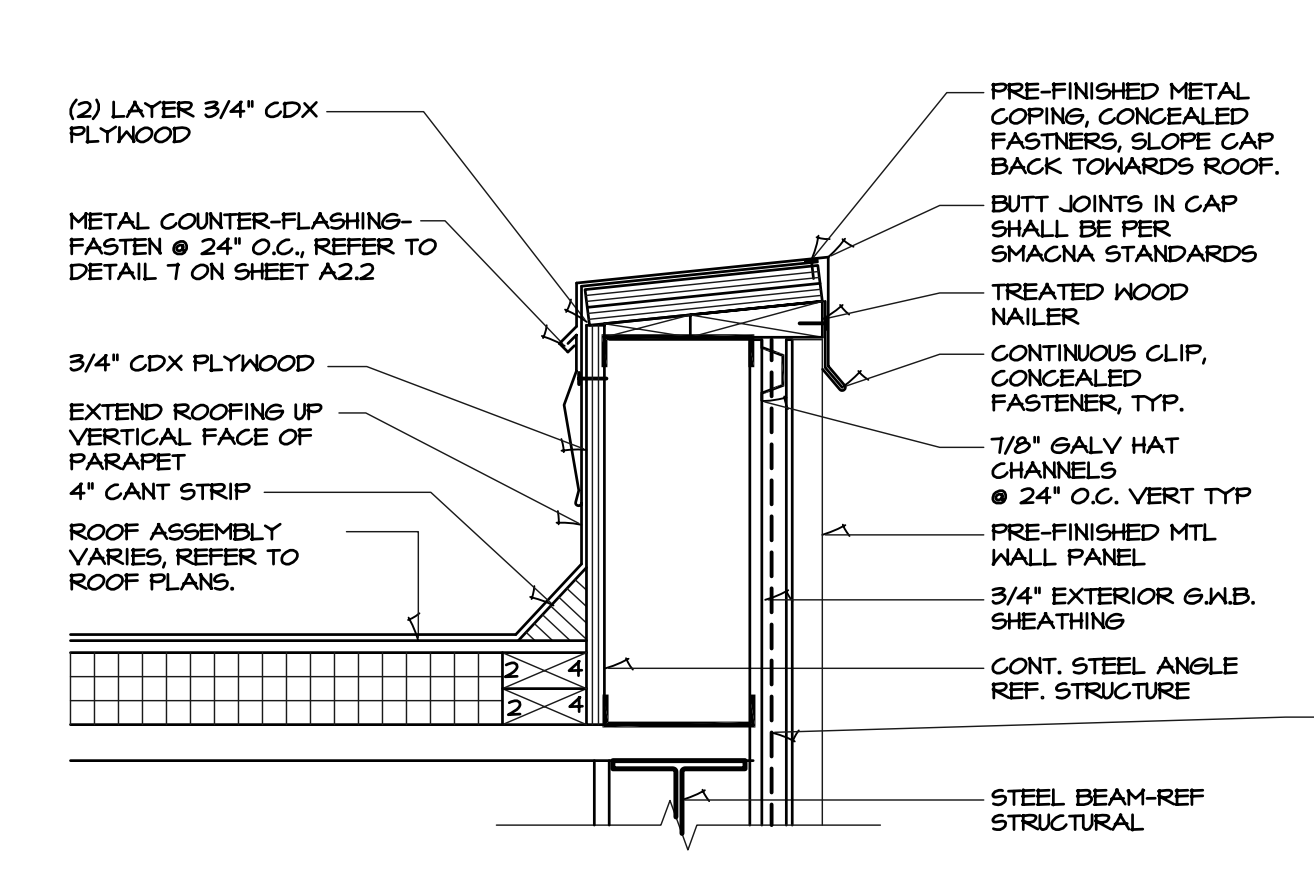
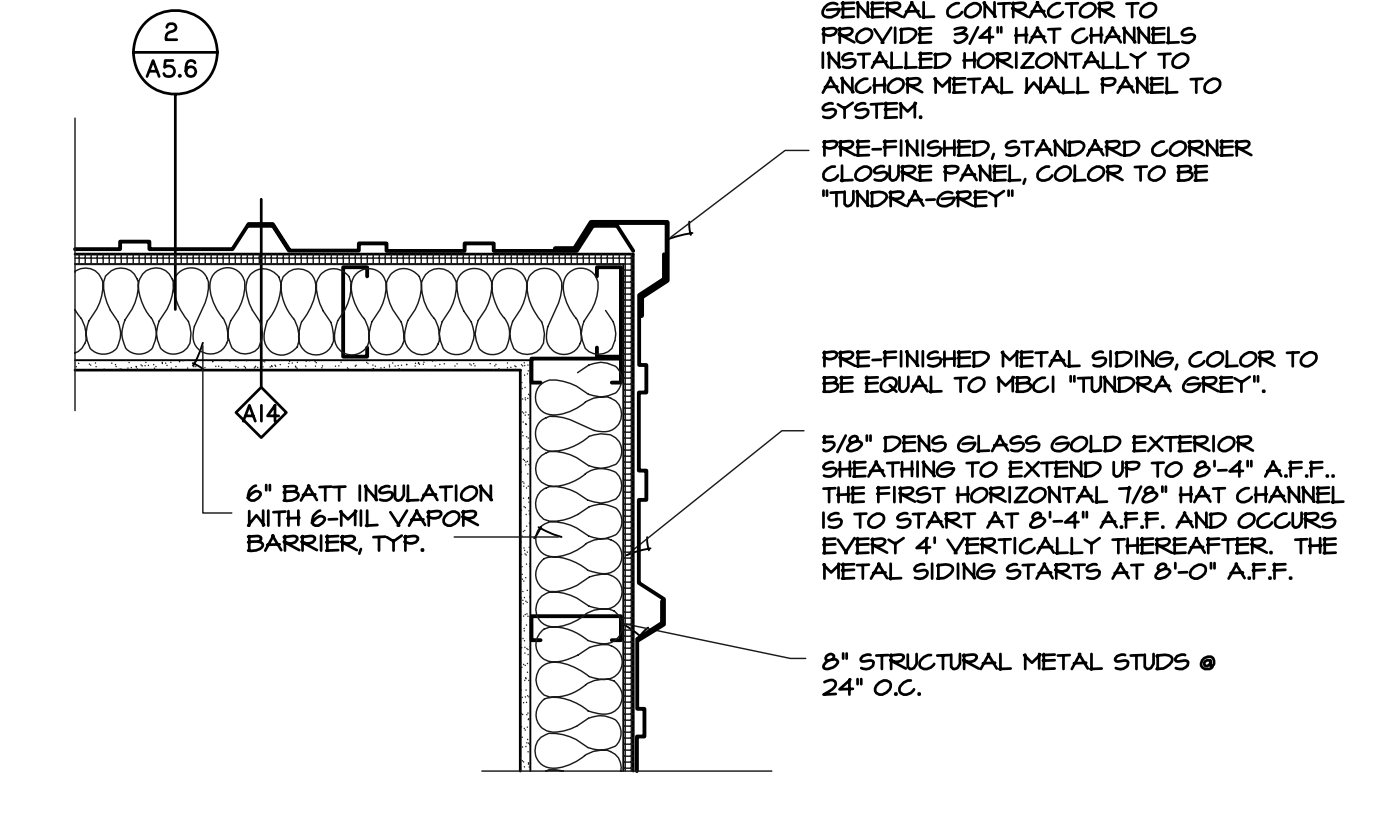
8 FLASHING DETAIL
SCALE: 6\"/>



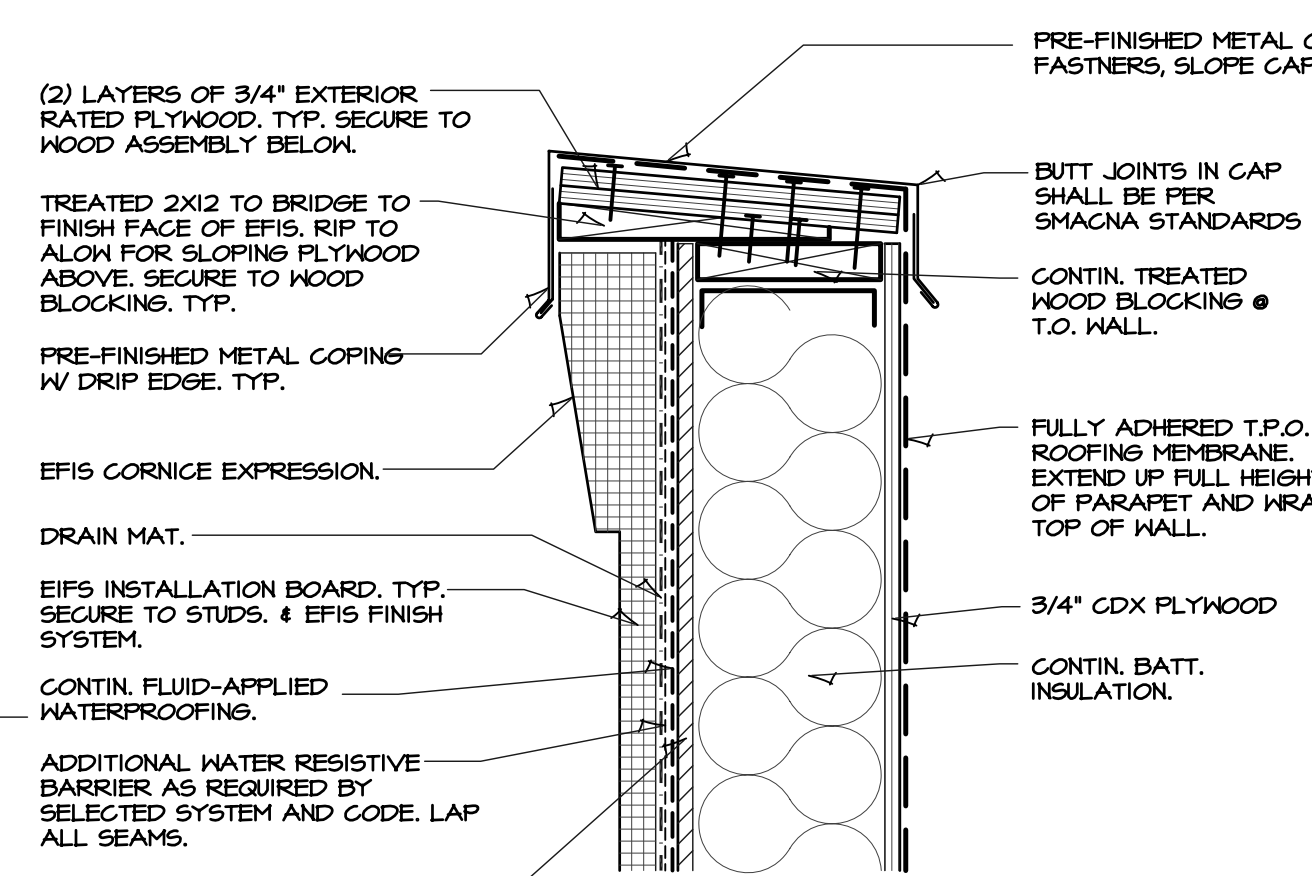
9 FLASHING DETAIL
SCALE: 6\"/>



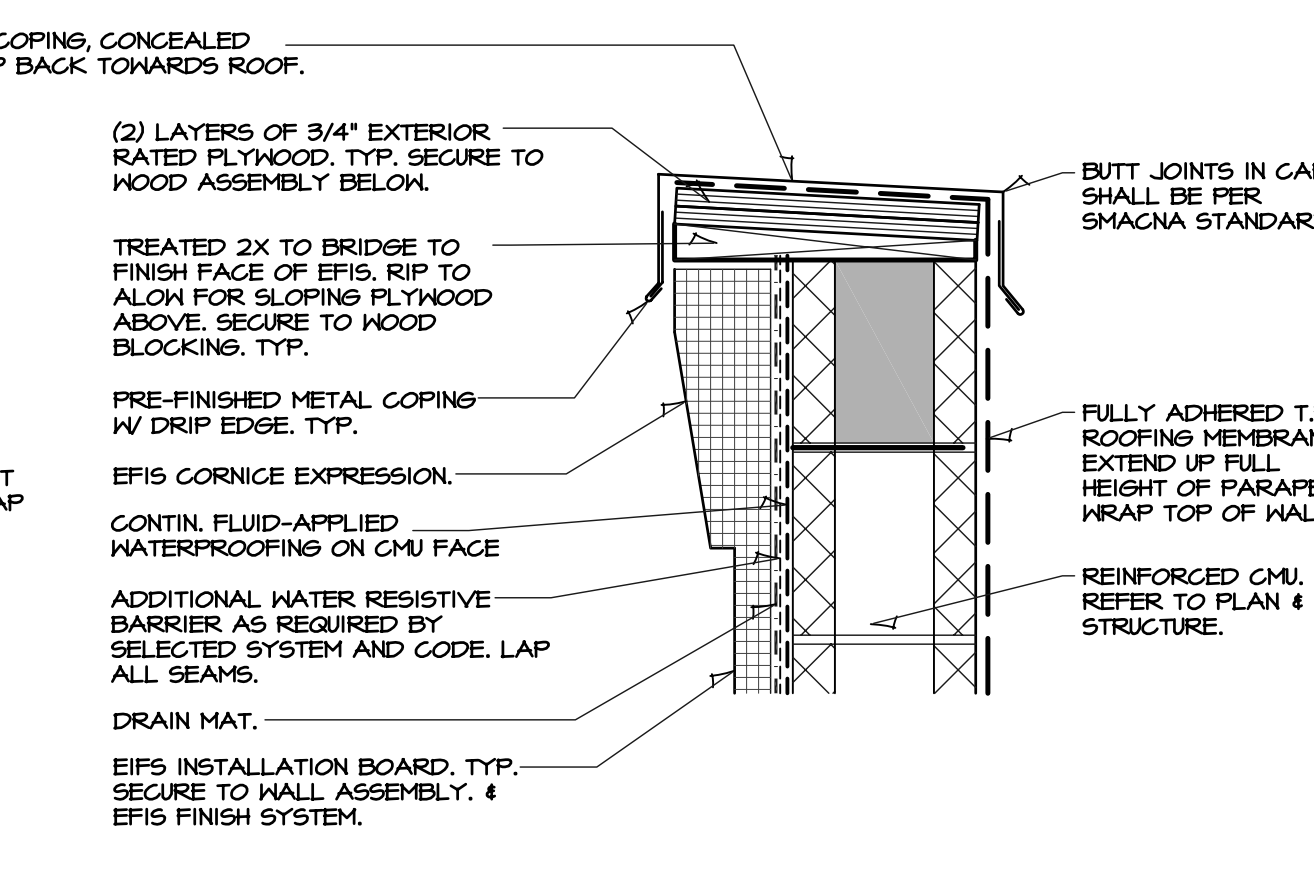
10 FLASHING WALL CORNER
SCALE: N.T.S.



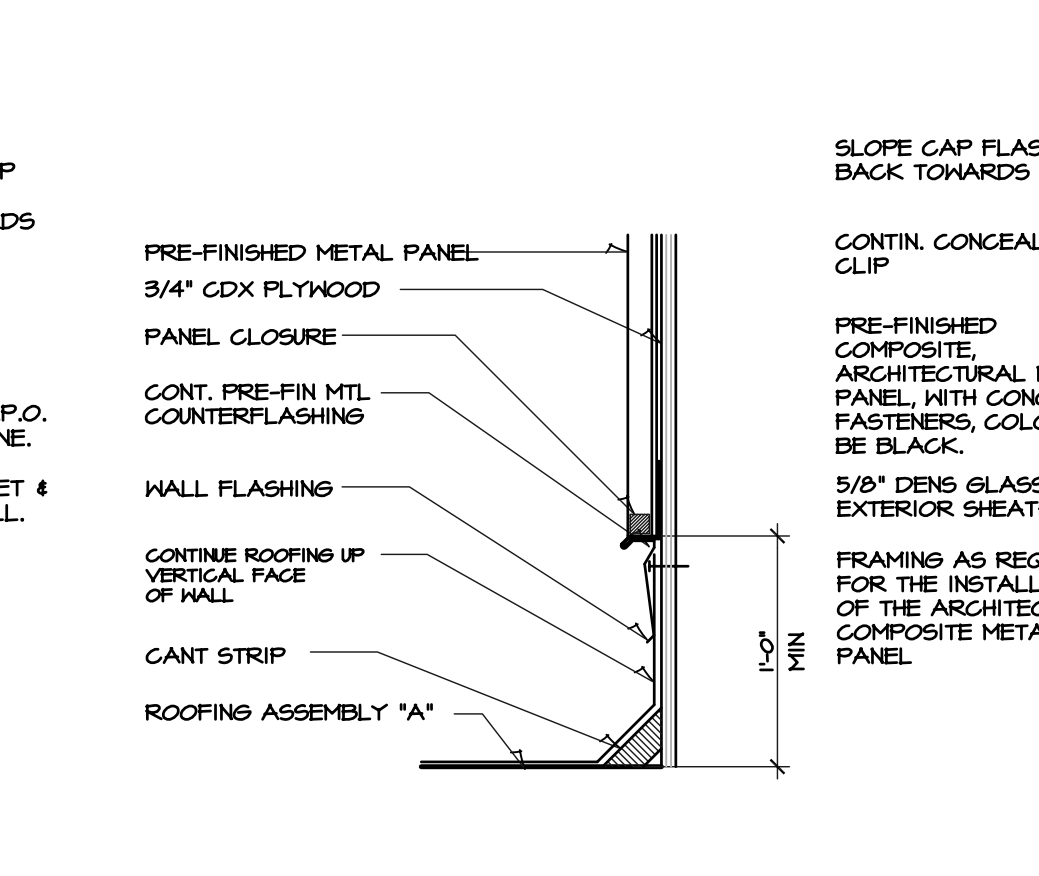
11 FLASHING DETAIL
SCALE: N.T.S.



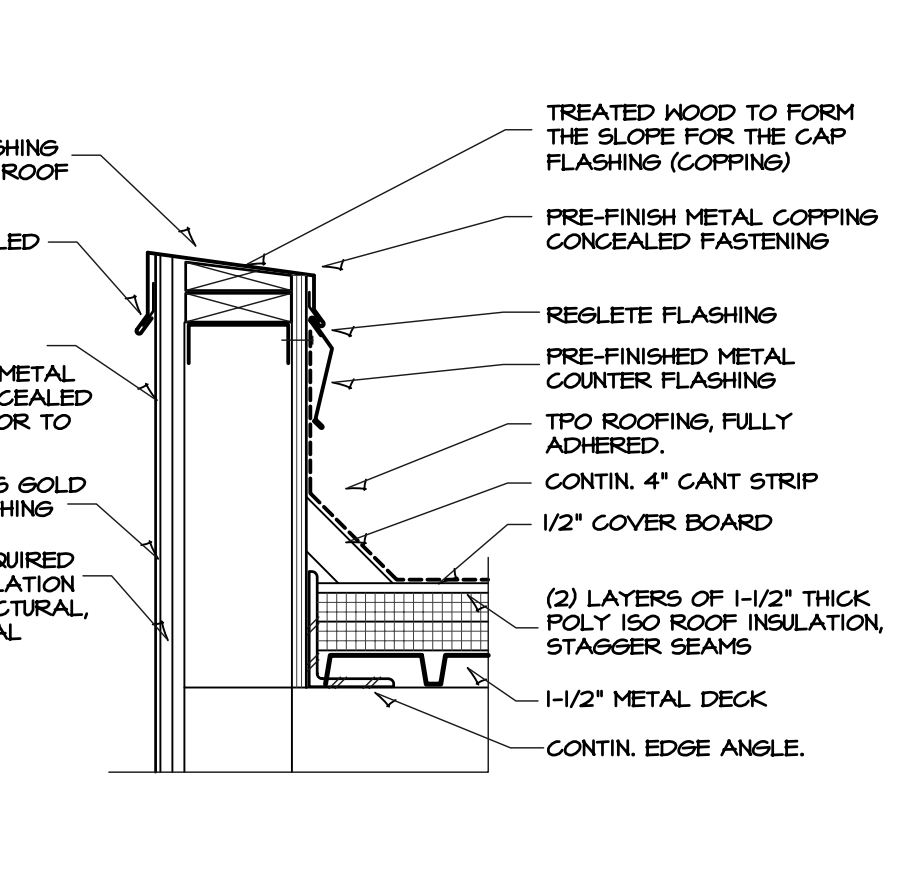
12 FLASHING DETAIL
SCALE: N.T.S.



13 FLASHING DETAIL
SCALE: N.T.S.



14 FLASHING DETAIL
SCALE: N.T.S.



15 FLASHING DETAIL
SCALE: N.T.S.

2022
GENESIS HEALTH CLUBS
SOUTHBRIDGE MALL
1111 East Army Post Road
Des Moines, Iowa 50315



DRAWINGS ISSUED			
NO.	DATE	ITEM	ISSUED
10	4/12/22	ADDENDUM 1	
4	2/11/22	PERMIT SET	
8	1/25/22	CHECK SET	
7	12/15/21	CHECK SET	
6	9/24/21	CHECK SET	
5	8/21/21	SITE PLAN REVIEW	
4	7/21/21	UDRB SUBMITTAL	
3	1/08/21	MILESTONE DEV. PLAN	
2	5/25/21	CONCEPT, DEV. PLAN	
1	3/20/21	CONCEPT, DEV. PLAN	

COMPUTER DRAWING
DMS_A210.dwg

DATE: AUGUST 2021
DRAWN BY: CHECKED BY:
MH, CH, DH, TH, TC MRH

SHEET
A2.10
OF SHEETS