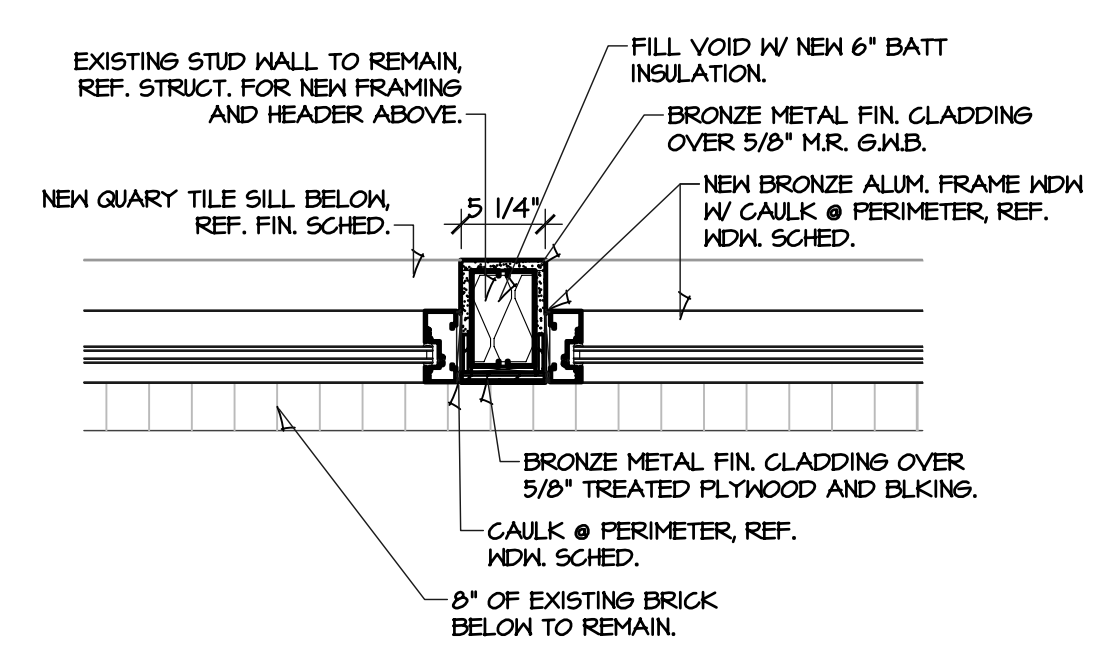
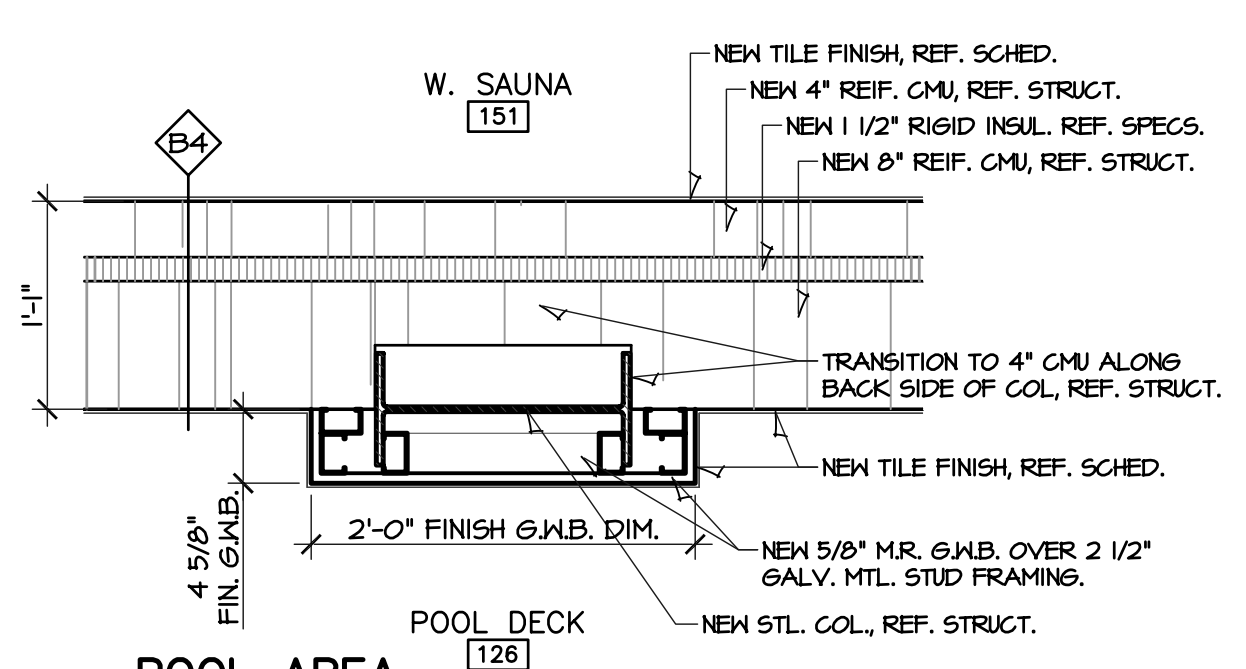


LOCKER ROOM ACCESSORY LEGEND			
ALL ACCESSORIES INSTALLED BY CONTR.			
SYM	MAT'L DESCRIPTION	MANF. PROD. #	SIZE
TP	W.M. TOILET PAPER	BY OWNER	-
ND	W.M. NAPKIN DISPOSAL	BOBRICK B-254	10" W x 15" H x 4" D
GB	GRAB BARS	GAMACO, 150-C, 99	1.5 D; 42", 36", 18"
PT	W.M. PAPER TOWEL DISP.	BY OWNER	-
SD	W.M. SOAP DISPENSER	BY OWNER	-
MIRROR	FRAMELESS POL. FLT GLS MIRROR	FABRICATOR, GROUND EDGES SMOOTH	VARIES
TV	SS TOWEL HOOK	BOBRICK, B-682	2" X 6 1/2" X 1" D
VB	SS COAT HOOK/BUMPER	HRDW INCL W PARTITIONS	PER MANUF
BS	ACCESSIBLE SHOWER BENCH	BRADLEY, 457	PER MANUF
DT	ACCESSIBLE DRESSING TABLE	ACCESS-ABLE DESIGNS D-101-42	PER MANUF
RNV	RECESSED NAPKIN VENDOR	BOBRICK B-37063 50	14" W x 28" H x 5 1/2" D

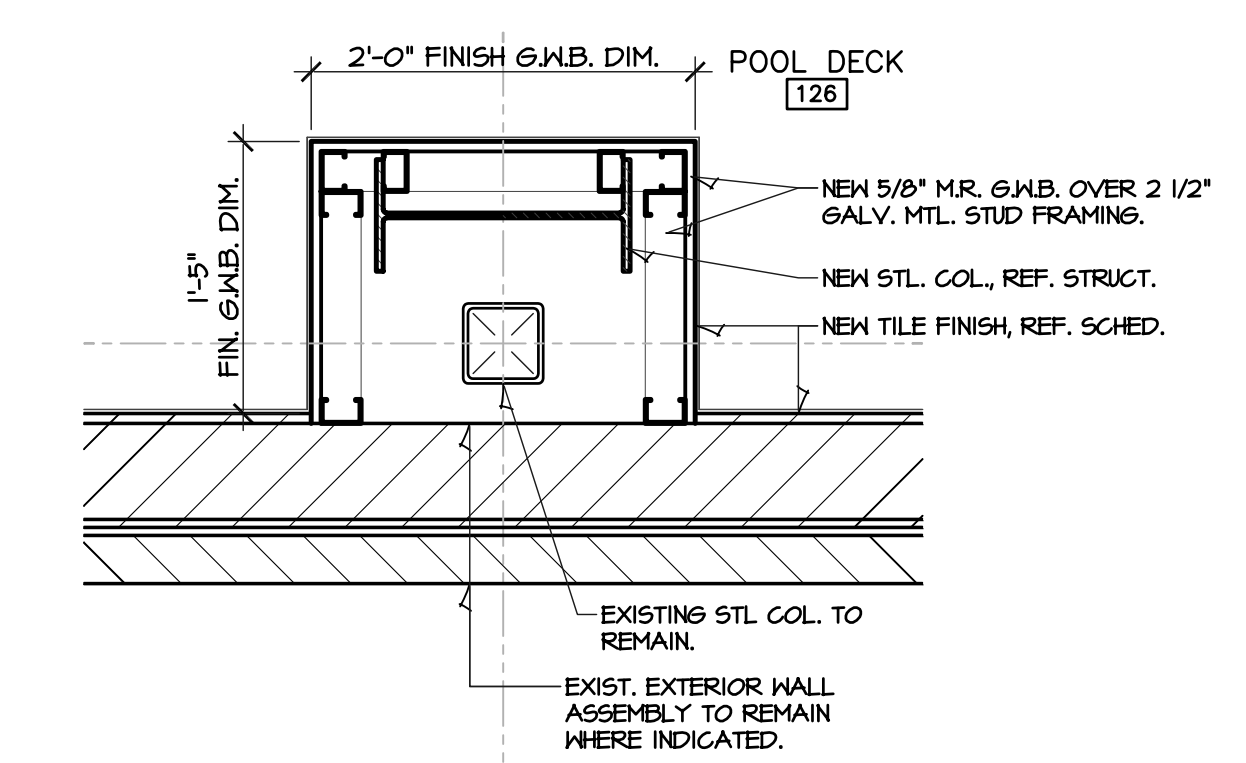


4 POOL AREA COLUMN DTL.
 SCALE: 1" = 1'-0"
 NORTH

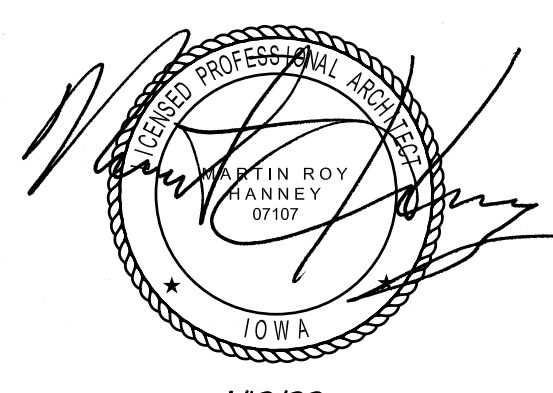
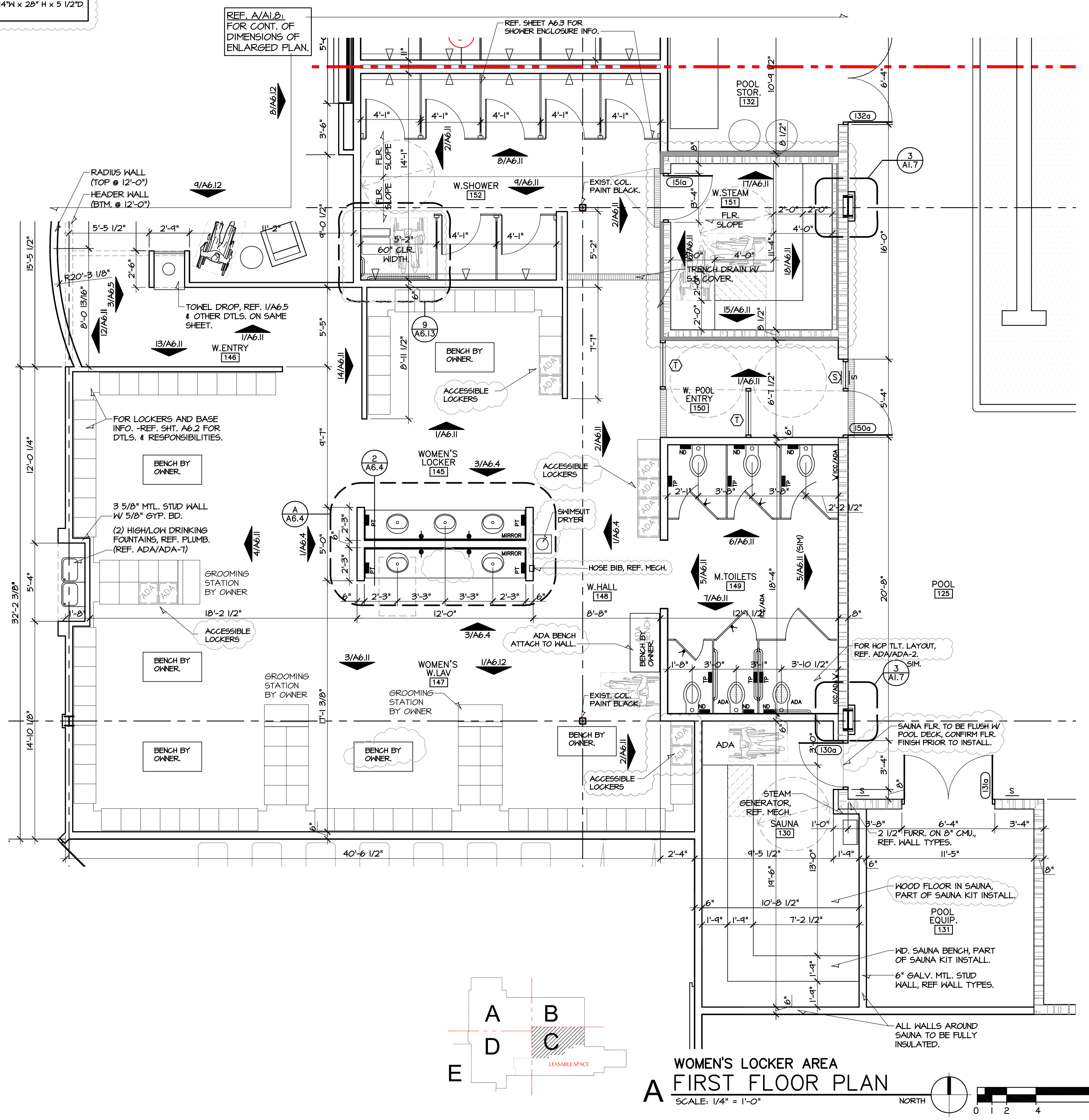


3 POOL AREA COLUMN DTL.
 SCALE: 1" = 1'-0"
 NORTH

2 NOT USED
 SCALE: 1" = 1'-0"
 NORTH



1 POOL AREA COLUMN DTL.
 SCALE: 1" = 1'-0"
 NORTH



4/12/22
HANLEY & ASSOCIATES, ARCHITECTS
 1726 South Hillside, Wichita, Kansas 67211
 Phone (316) 683-8985
 Fax (316) 684-1441

2022 GENESIS HEALTH CLUBS
SOUTHBRIDGE MALL
 1111 East Army Post Road
 Des Moines, Iowa 50315



DRAWINGS ISSUED			
NO.	DATE	ITEM	ISSUED
11	4/12/22	ADDENDUM 1	
10	3/25/22	CODE REVISIONS	
9	2/11/22	PERMIT SET	
8	1/25/22	CHECK SET	
7	12/15/21	CHECK SET	
6	9/24/21	CHECK SET	
5	8/21/21	SITE PLAN REVIEW	
4	1/21/21	UDRB SUBMITTAL	
3	1/08/21	MILESTONE DEV. PLAN	
2	5/25/21	CONCEPT, DEV. PLAN	
1	3/20/21	CONCEPT, DEV. PLAN	

COMPUTER DRAWING
 DMS_A107.dwg

DATE: AUGUST 2021
 DRAWN BY: CHECKED BY:
 MH, CH, DH, TH, TC MRH

SHEET
A1.7
 OF SHEETS