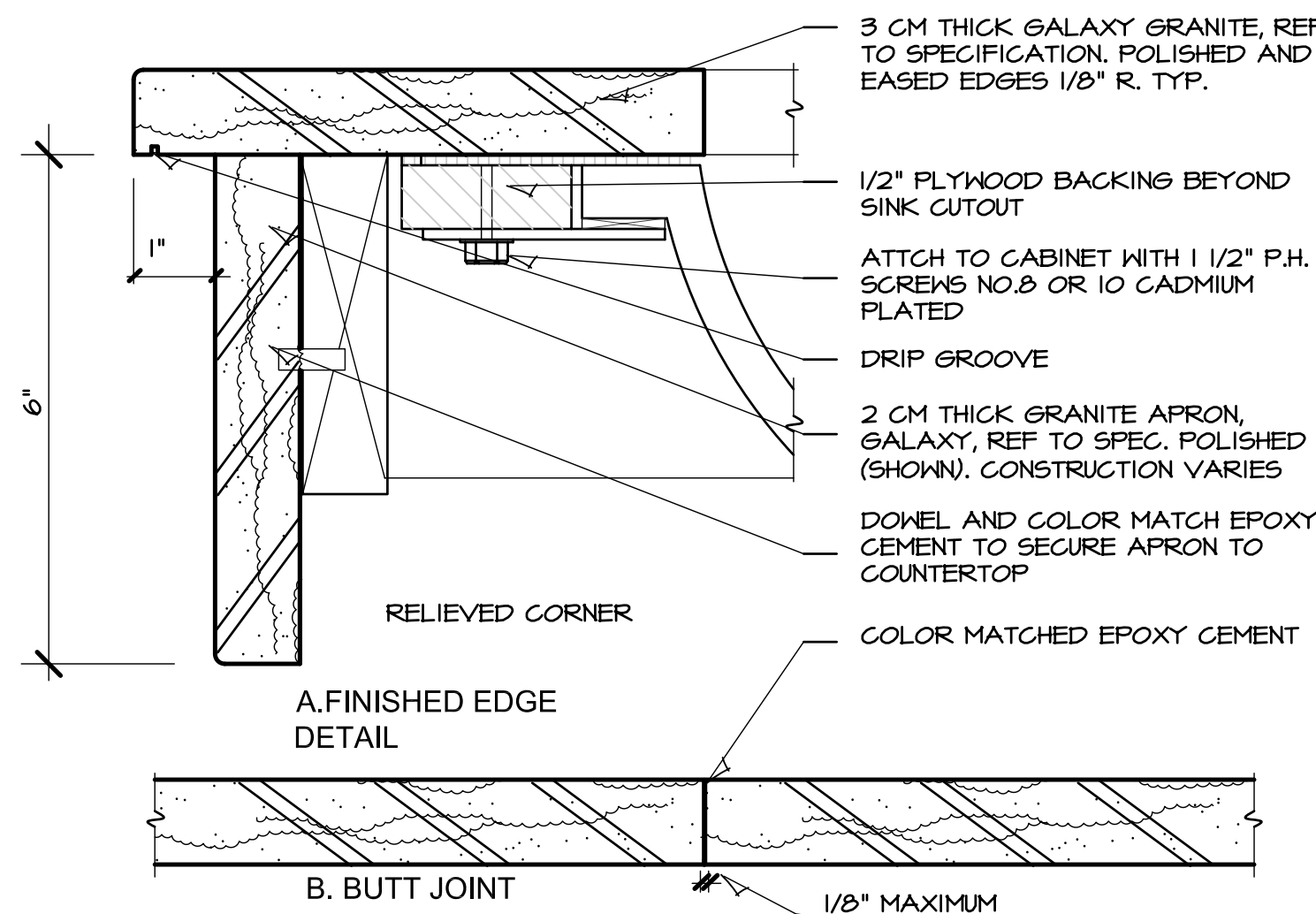
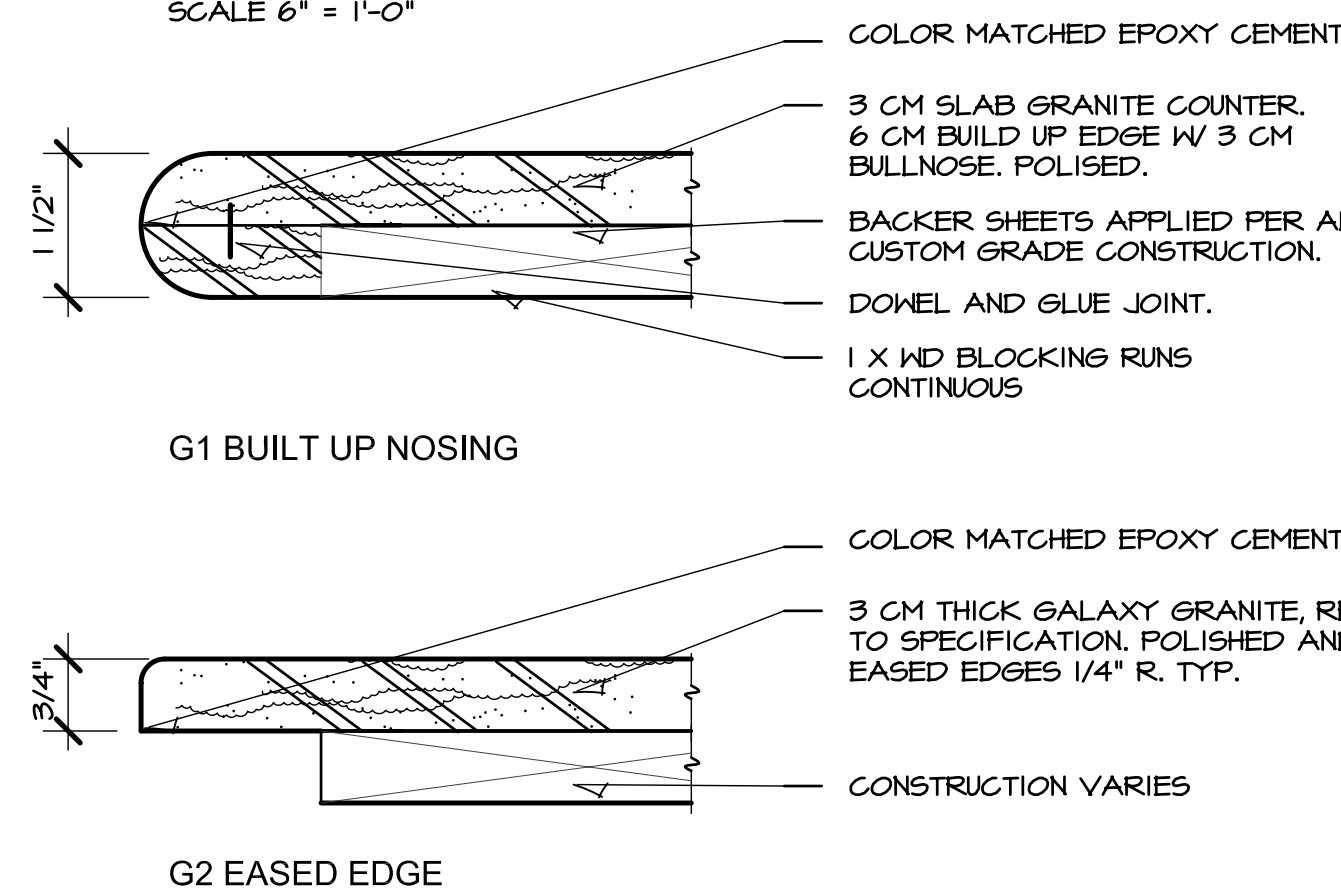


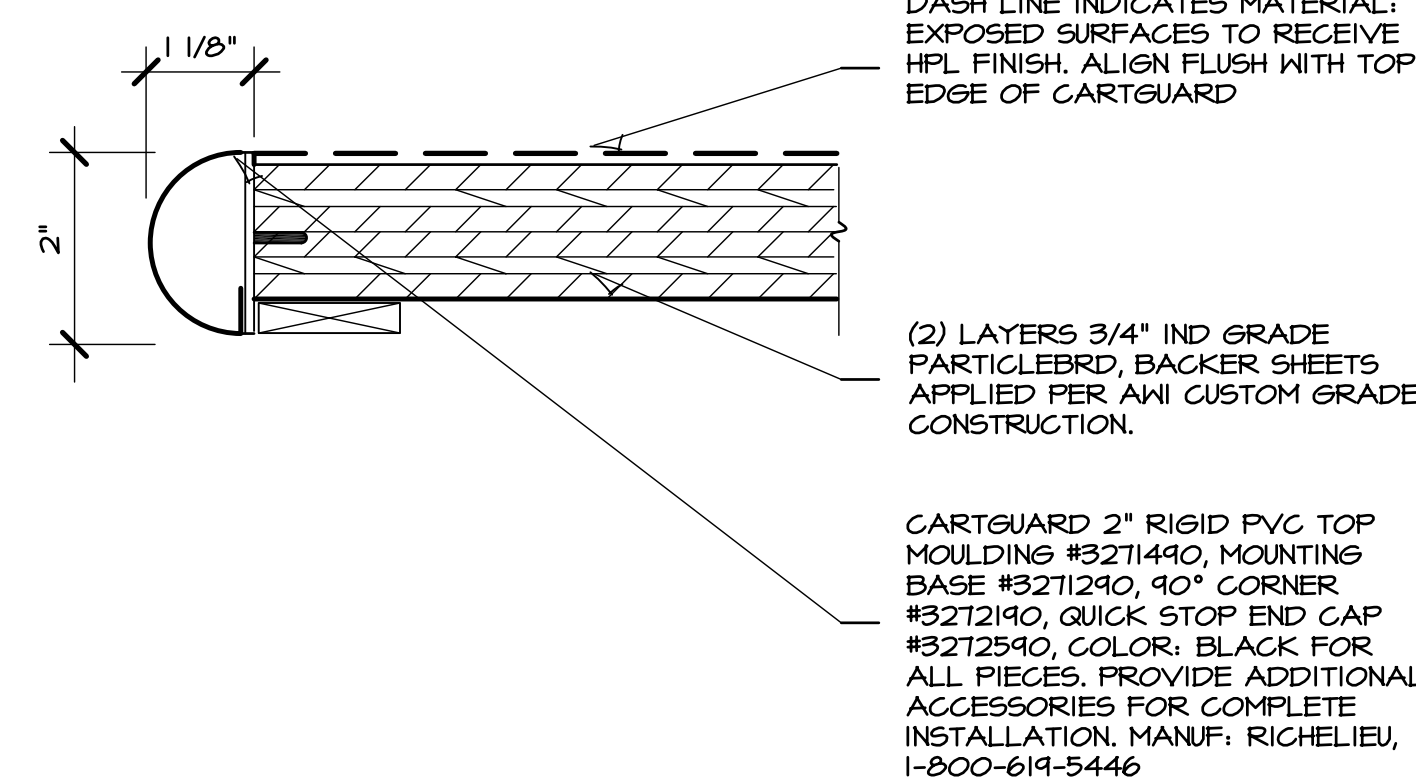
SECTION
A ENLARGED DTL COUNTER
SCALE 6" = 1'-0"



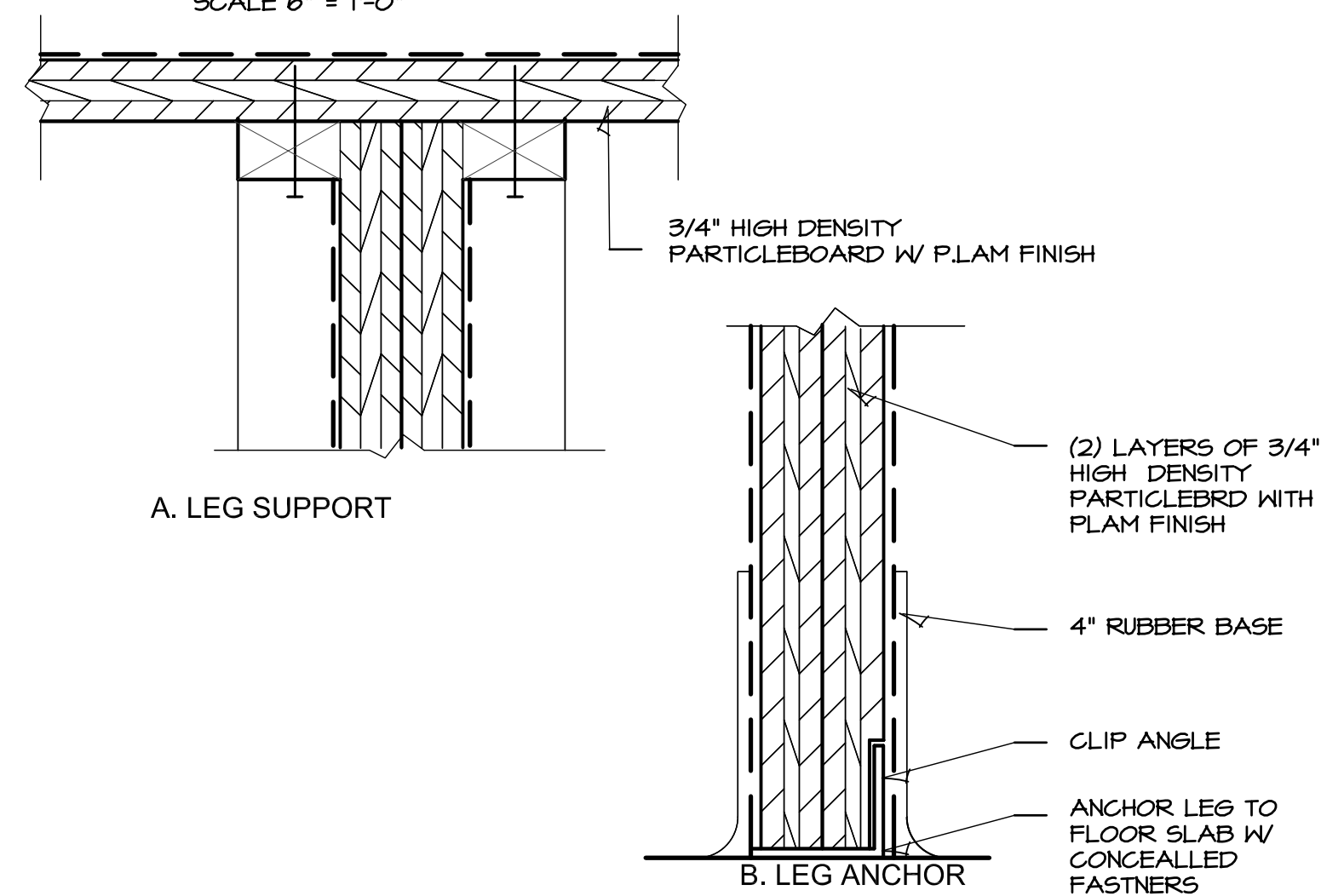
SECTION
B ENLARGED DTL LAV COUNTER
SCALE 6" = 1'-0"



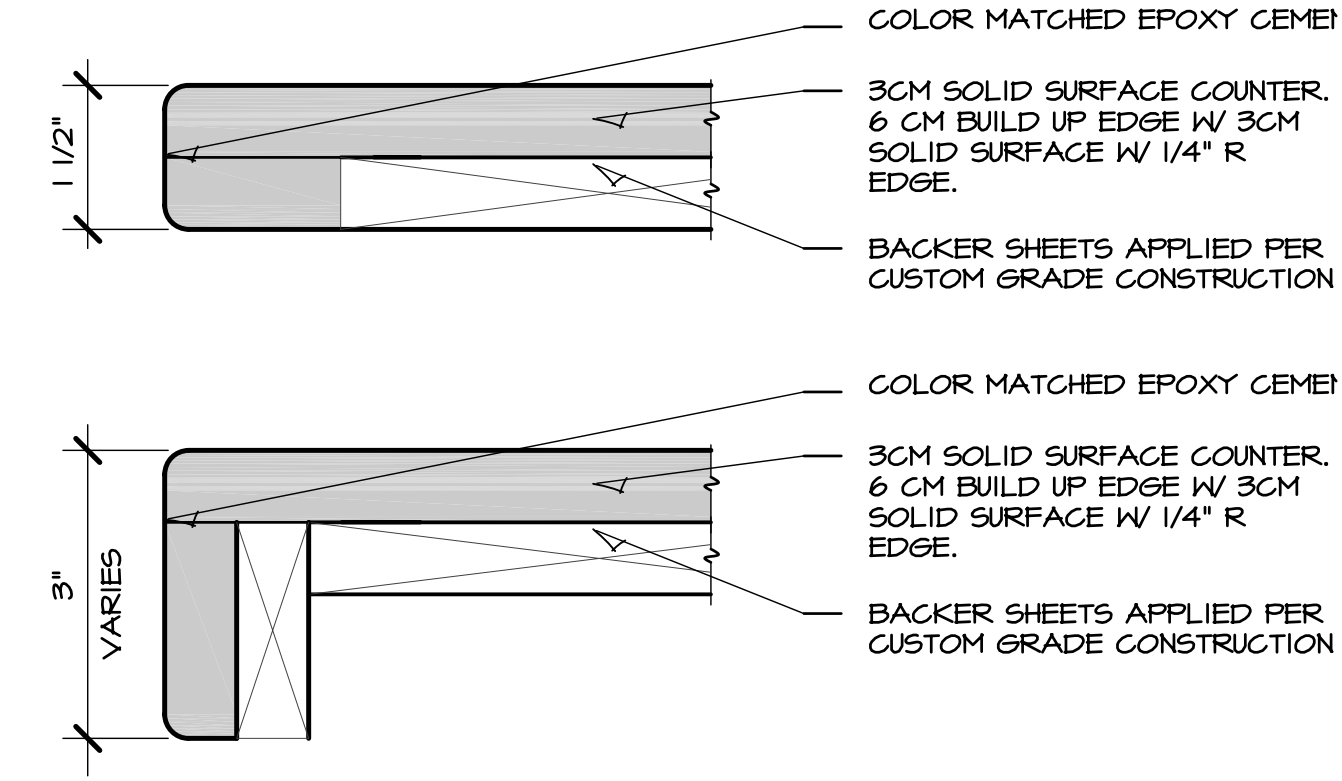
SECTION
G ENLARGED DTL GRANITE NOSING
SCALE 6" = 1'-0"



SECTION
C ENLARGED DTL COMPUTER STATION
SCALE 6" = 1'-0"



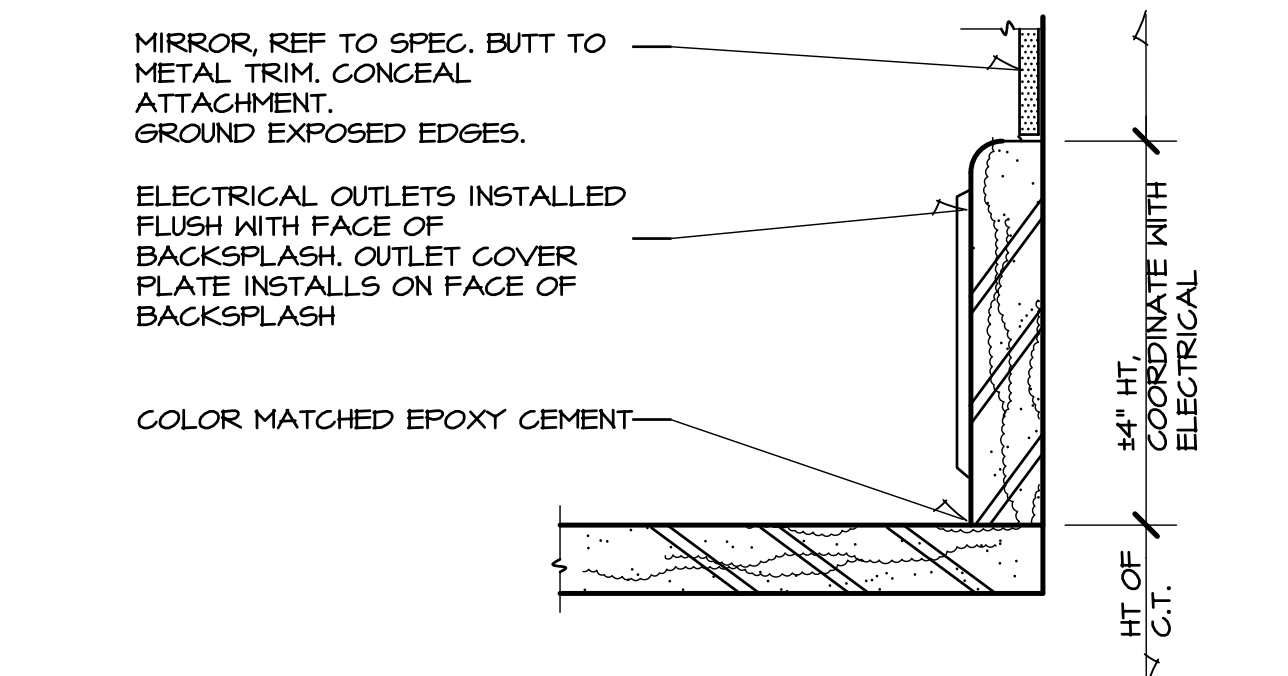
SECTION
H ENLARGED DTL LEG SUPPORT
SCALE 6" = 1'-0"



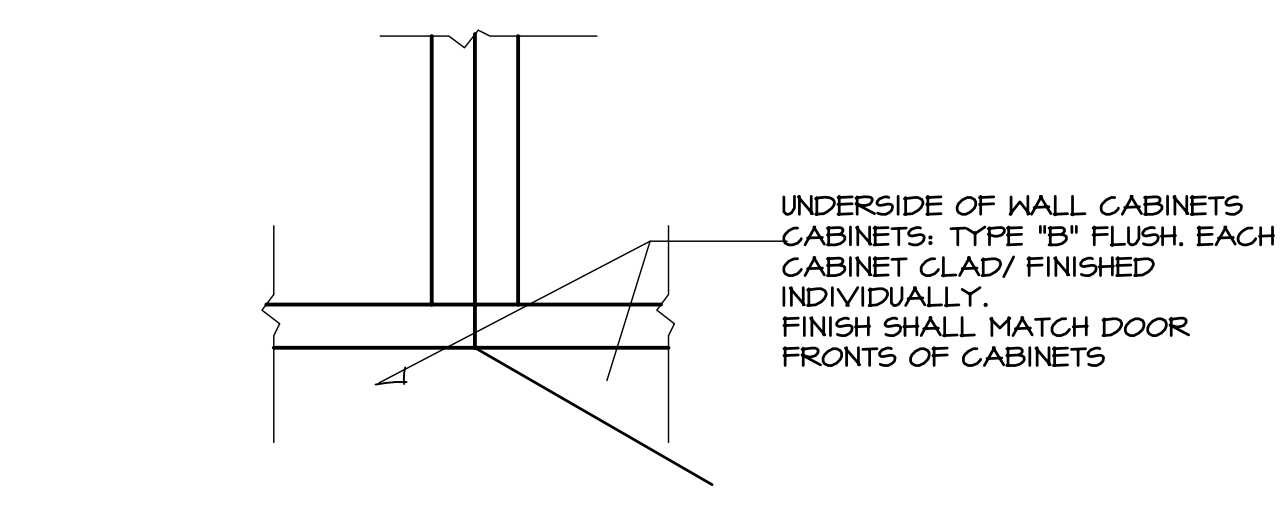
SECTION
D ENLARGED DTL SOLID SURFACE
SCALE 6" = 1'-0"

SECTION
E ENLARGED DTL
SCALE 6" = 1'-0"

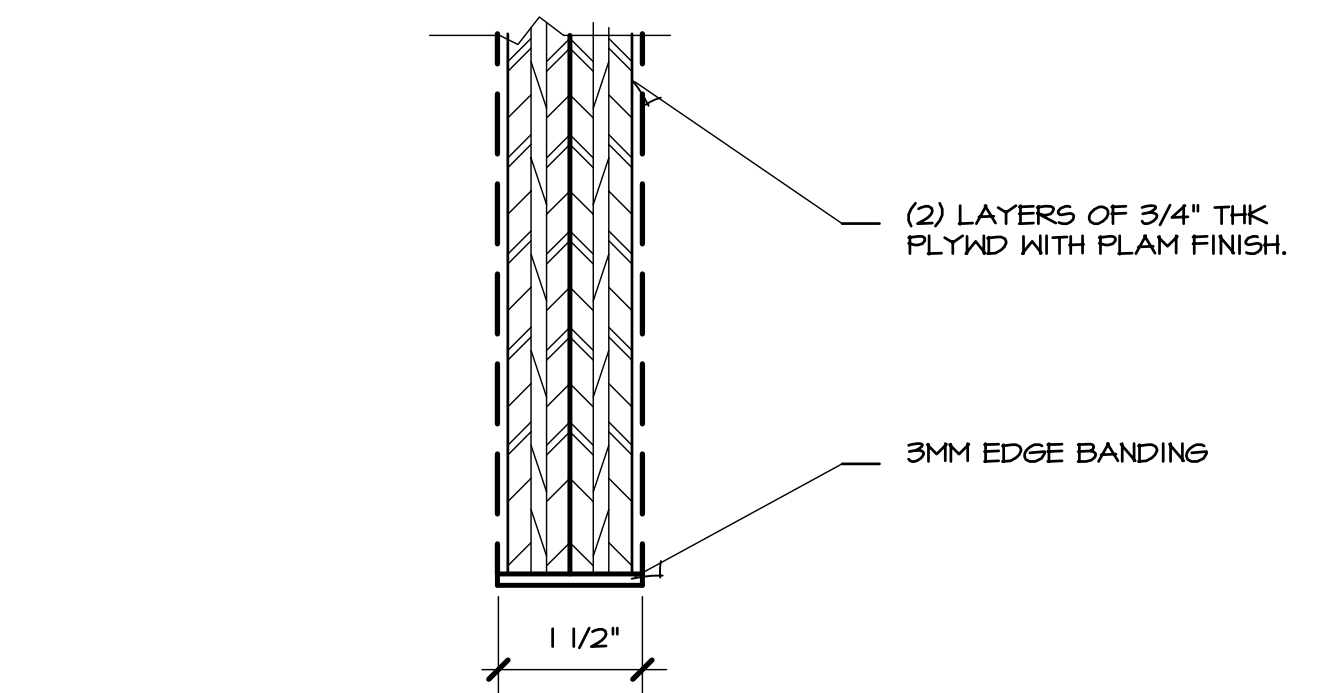
GENERAL NOTE: STONE CONTRACTOR RESPONSIBLE FOR FABRICATION, DELIVERY AND INSTALLATION. COORDINATE WITH MILLWORK CONTRACTOR AND FIELD VERIFY ELECTRICAL LOCATIONS..



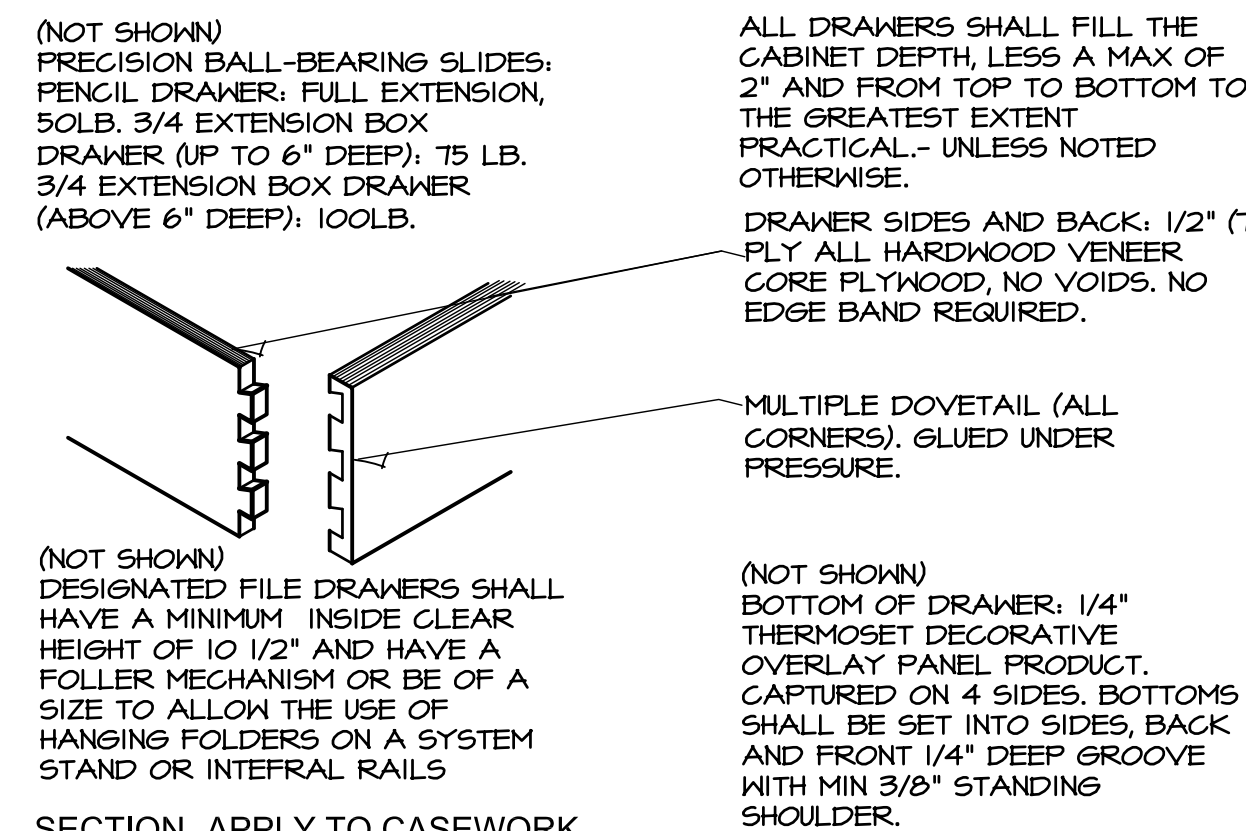
SECTION
I ENLARGED DTL BACK SPLASH
SCALE 6" = 1'-0"



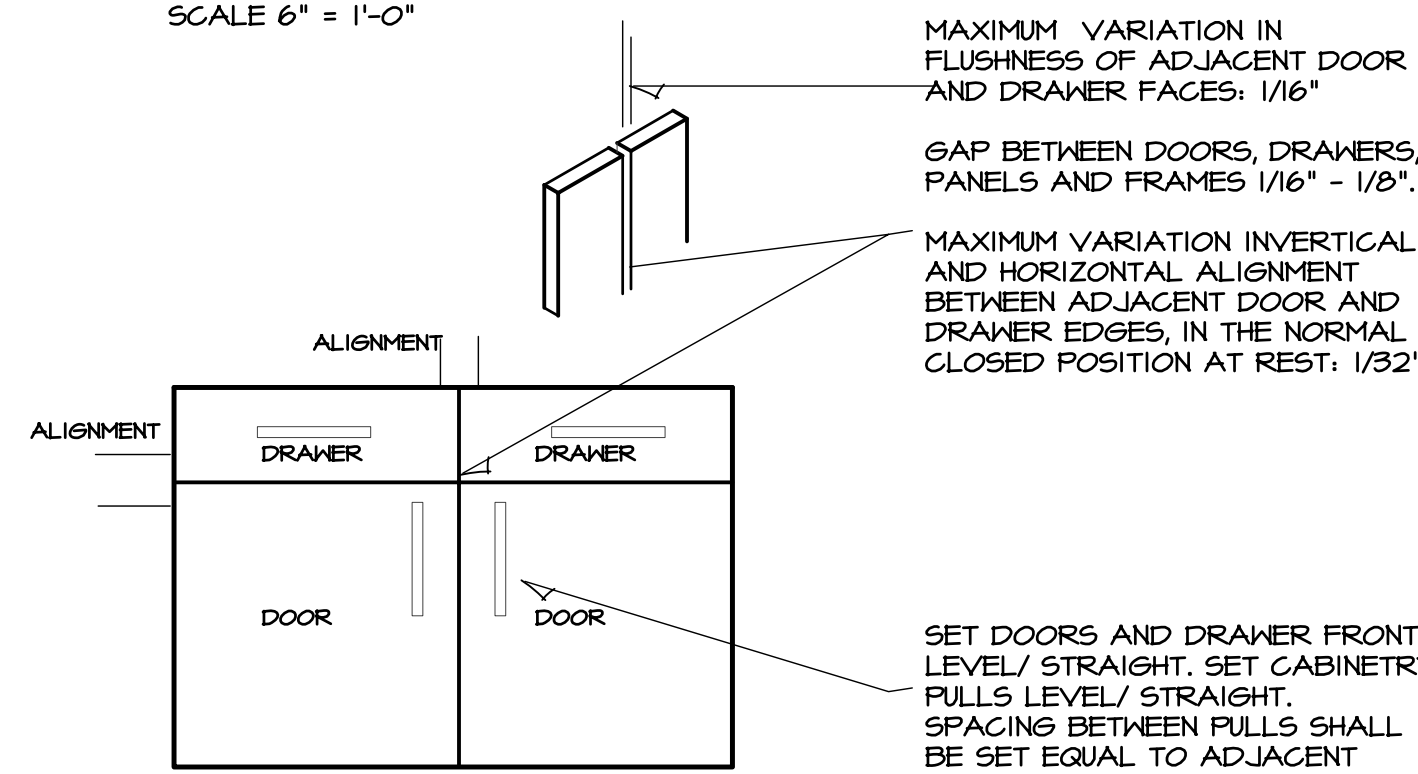
SECTION- APPLY TO CASEWORK
M ENLARGED DTL EDGE BANDING
NOT TO SCALE



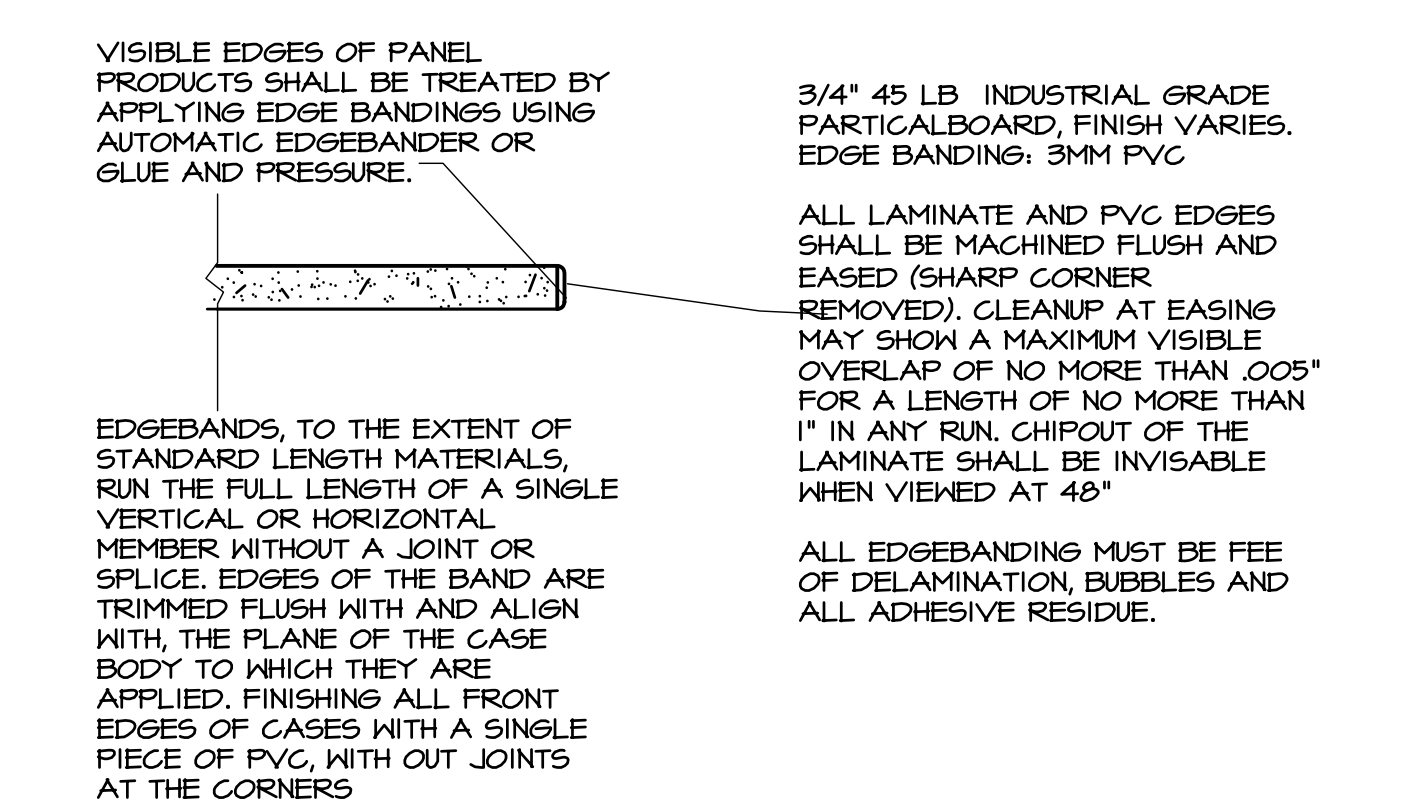
SECTION
F ENLARGED DTL LEG
SCALE 6" = 1'-0"



SECTION- APPLY TO CASEWORK
J ENLARGED DTL DRW CONSTRUCTION
NOT TO SCALE

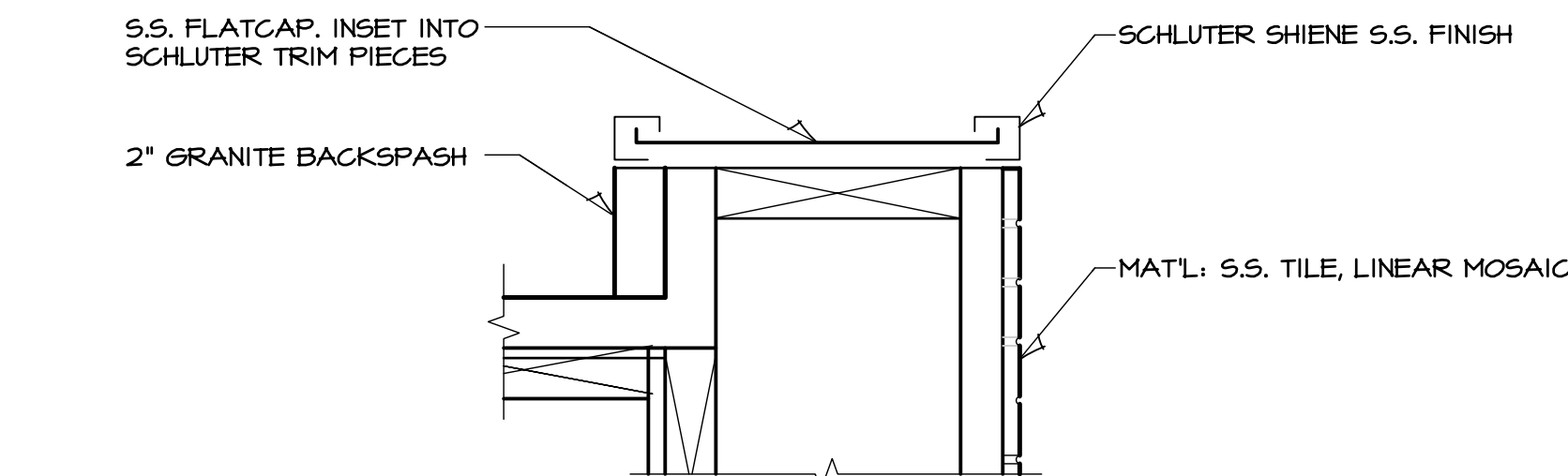


SECTION- APPLY TO CASEWORK
K ENLARGED DTL DOOR ALIGN
NOT TO SCALE

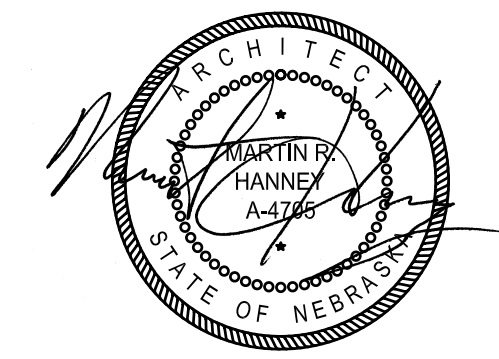


SECTION- APPLY TO CASEWORK
L ENLARGED DTL EDGE BANDING
NOT TO SCALE

SECTION- APPLY TO CASEWORK
M ENLARGED DTL EDGE BANDING
NOT TO SCALE



SECTION- APPLY TO CASEWORK
N ENLARGED DTL
NOT TO SCALE



10/10/19
HANNEY & ASSOCIATES, ARCHITECTS
1726 South Hillsdale, Wichita, Kansas, 67211
Phone: (316) 683-8965
Fax: (316) 684-1441

2019
GENESIS HEALTH CLUBS WESTROADS
1212 NORTH 102ND STREET
OMAHA, NE 68114



DRAWINGS ISSUED			
NO.	DATE	ITEM	ISSUED
20	10/10/19	ADDENDUM #3	
19	04/04/19	BID SET	
18	04/03/19	CODE REVIEW	
17	08/26/19	CODE REVIEW	
16	08/11/19	CODE REVISIONS	
15	06/17/19	CODE REVISIONS	
14	04/22/19	PLAN REVIEW	
13	02/18/19	REVIEW	
12	01/29/19	REVIEW	
11	01/08/19	REVISIONS	
10	12/19/18	REVIEW	
9	11/27/18	REVIEW	

COMPUTER DRAWING
GM_A10B.dwg

DATE: APRIL 2019
DRAWN BY: CHECKED BY:
MH, CH, JC, MB MRH