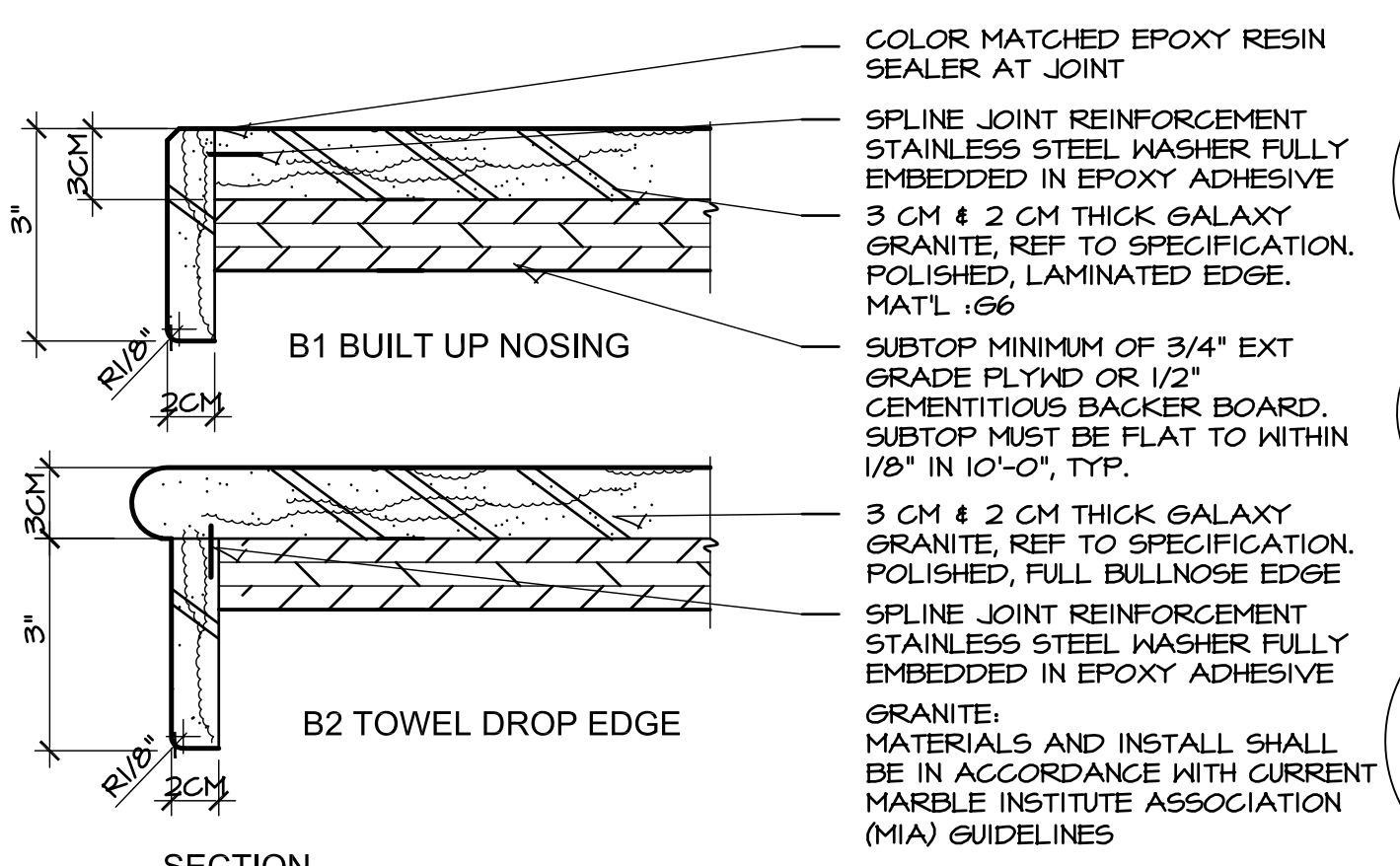
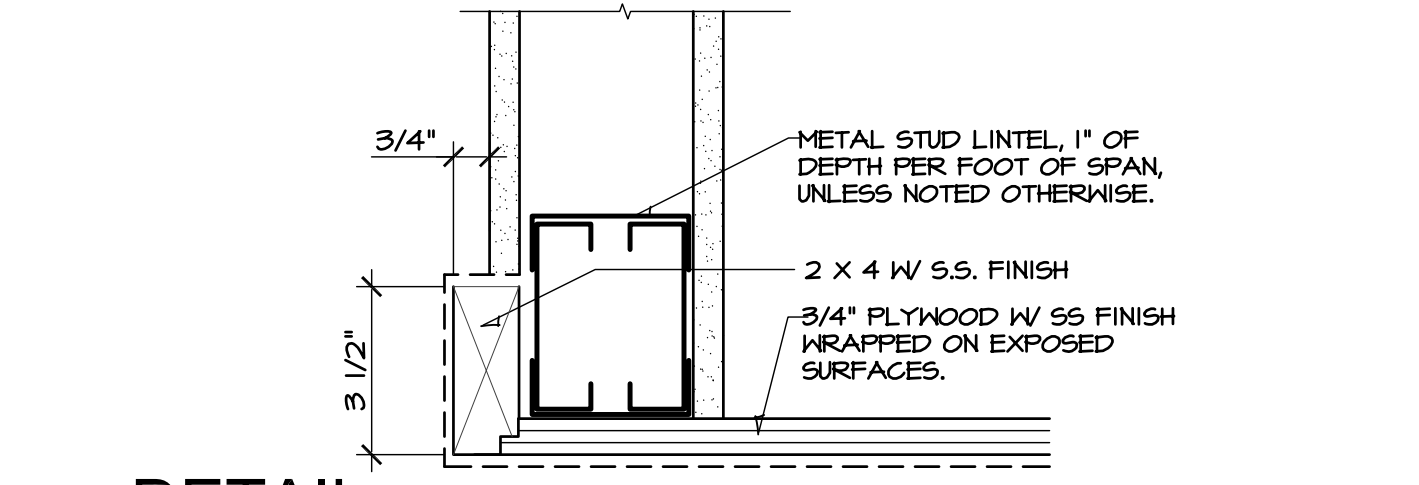


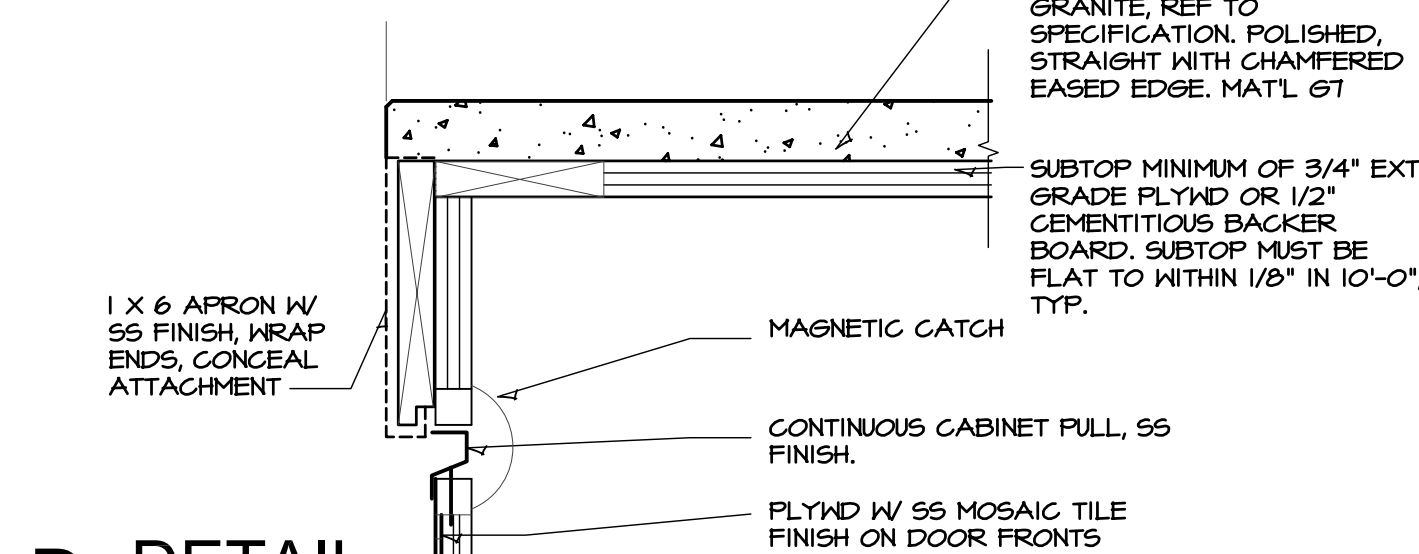
A ENLARGED DTL SOLID SURFACE
NOT TO SCALE



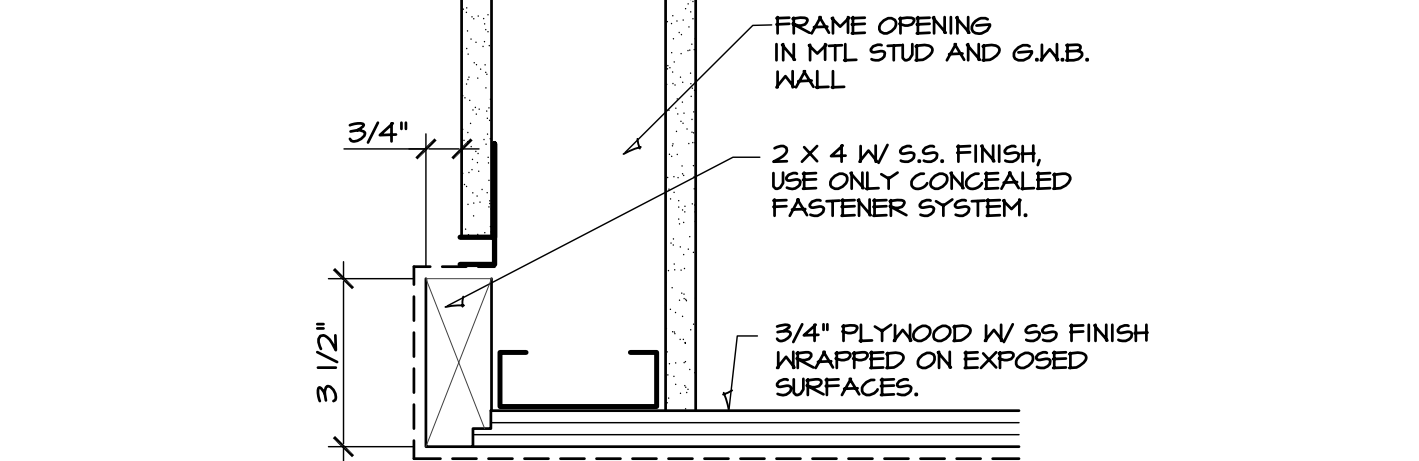
B ENLARGED DTL GRANITE NOSING
NOT TO SCALE



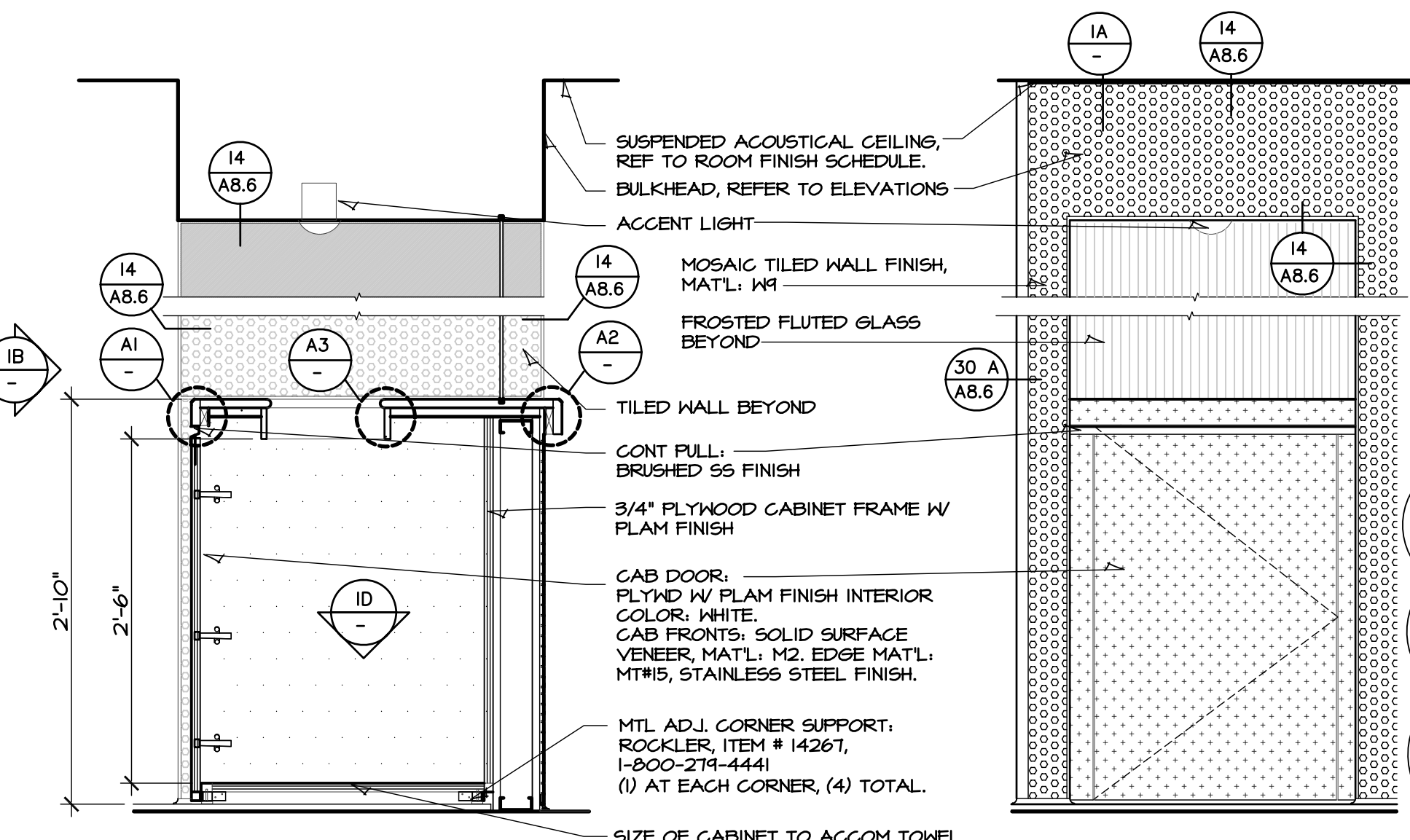
C DETAIL
SCALE 3" = 1'-0"



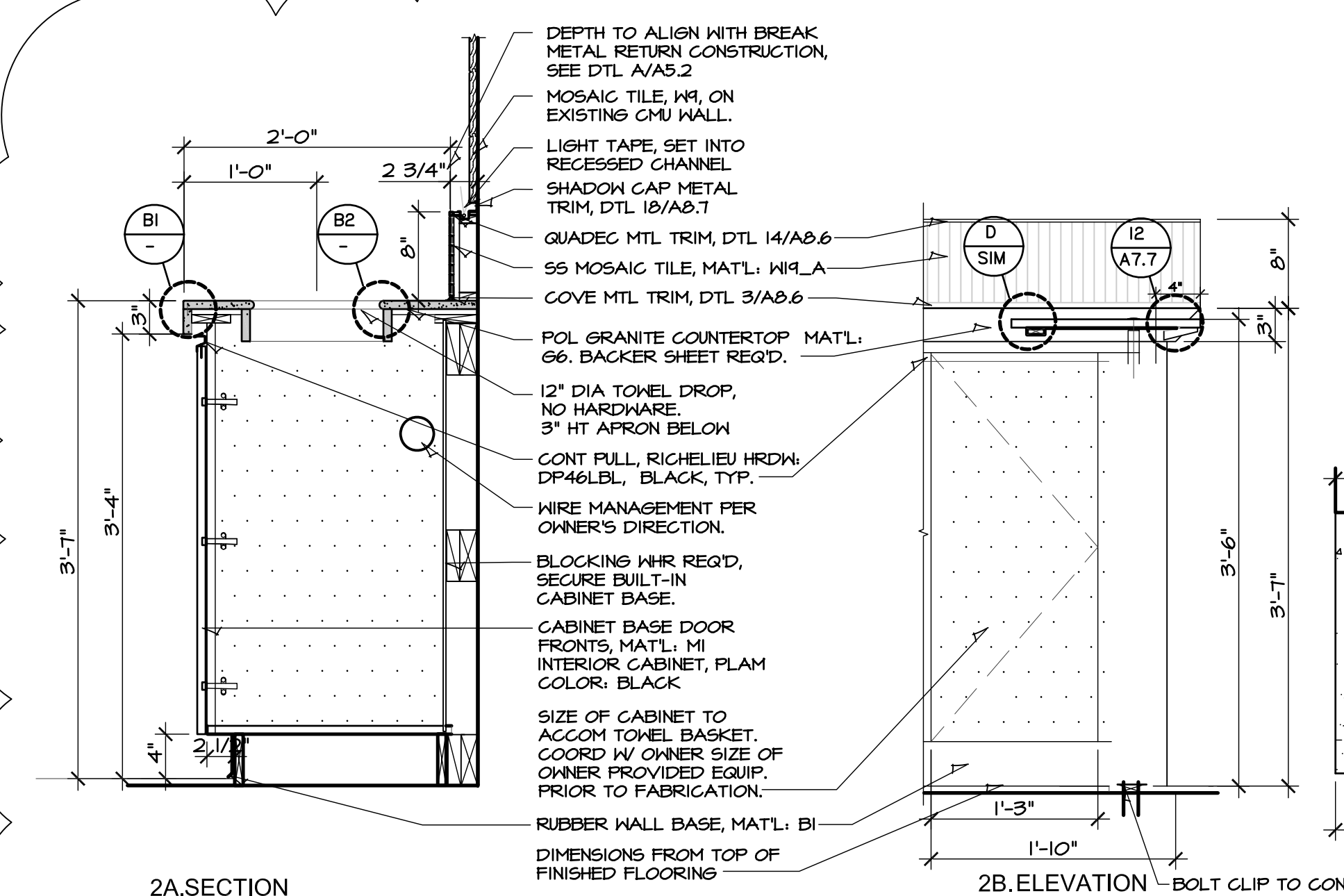
D DETAIL
SCALE 3" = 1'-0"



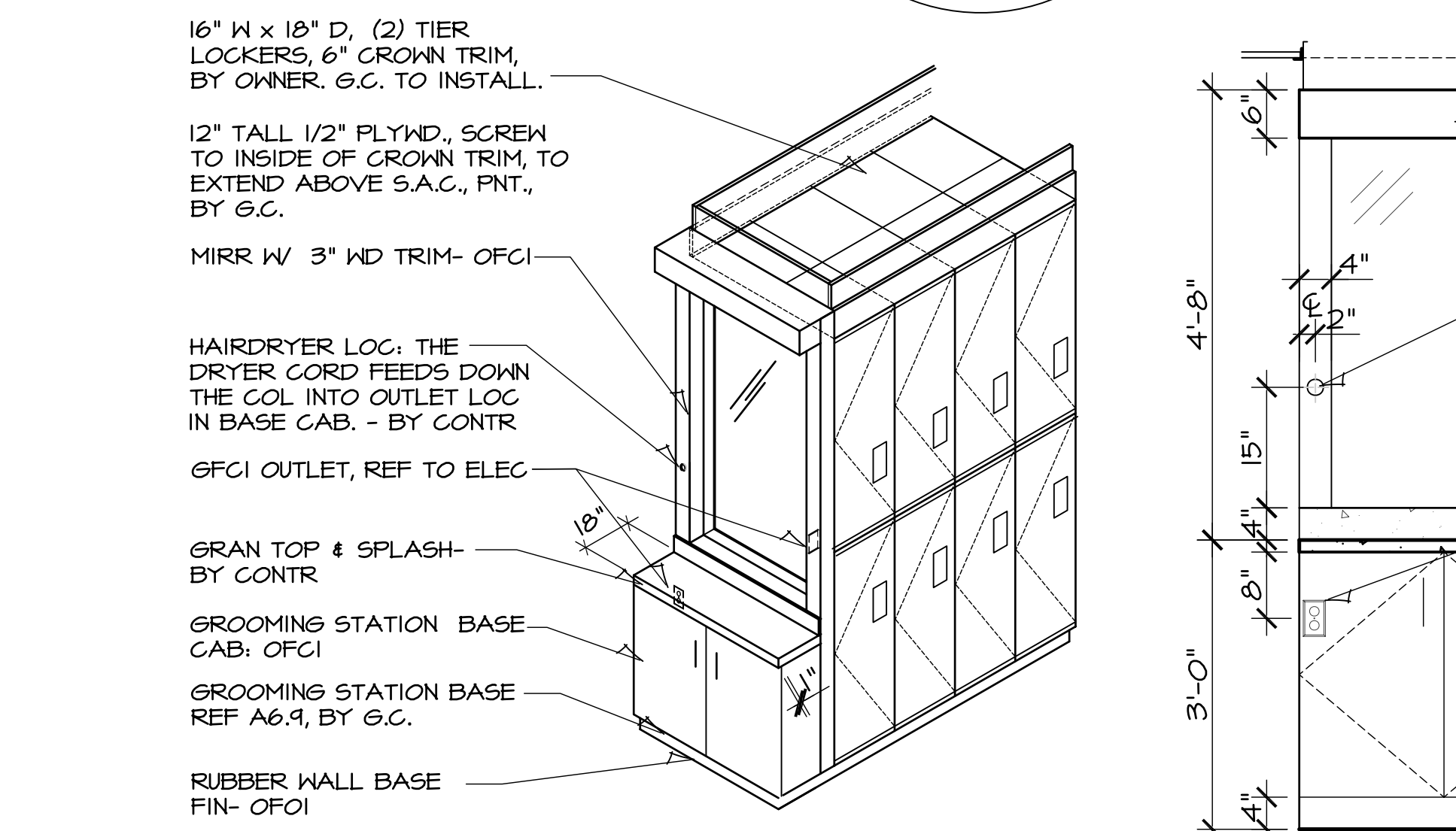
E DETAIL
SCALE 3" = 1'-0"



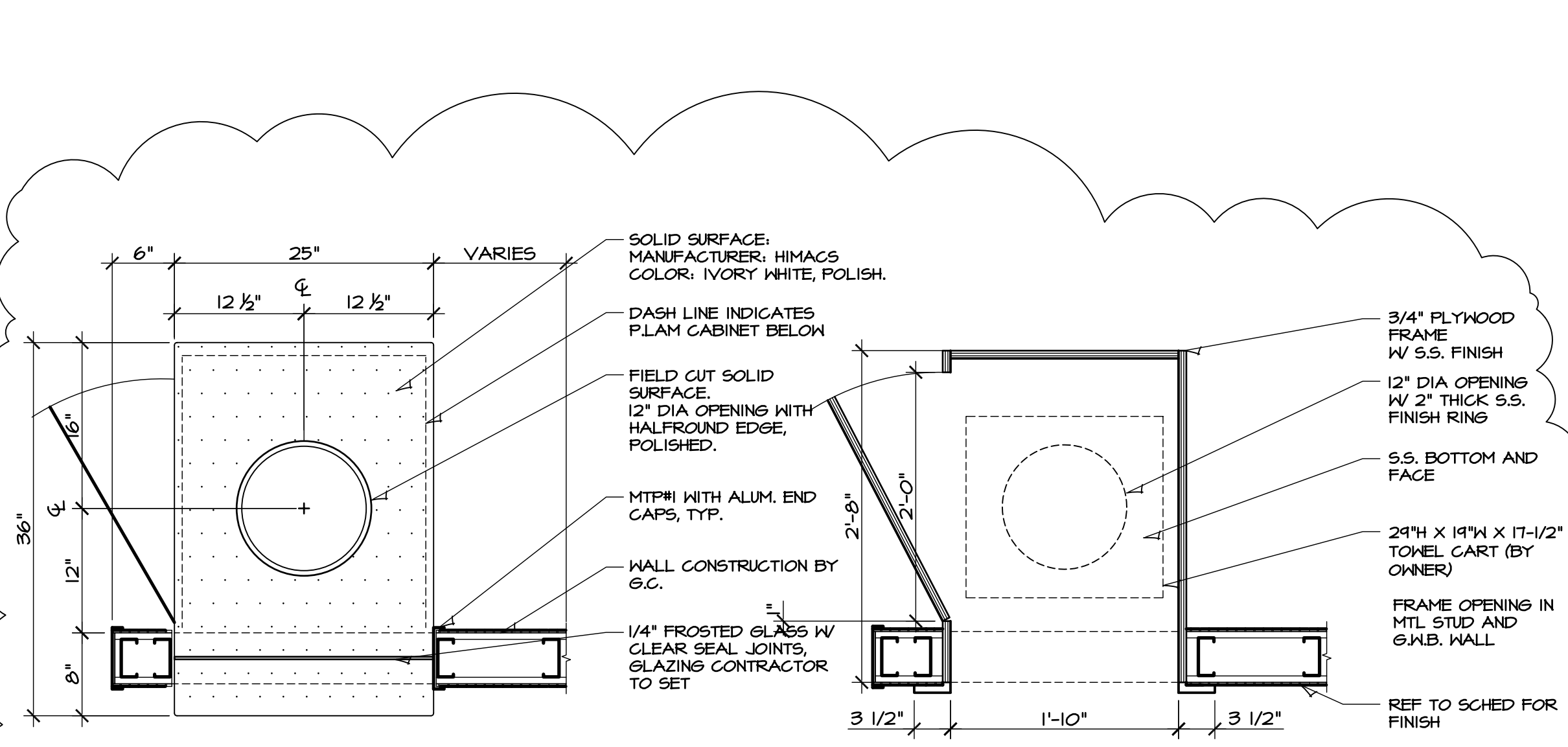
1 LOCKER TOWEL DROP
SCALE 1" = 1'-0"



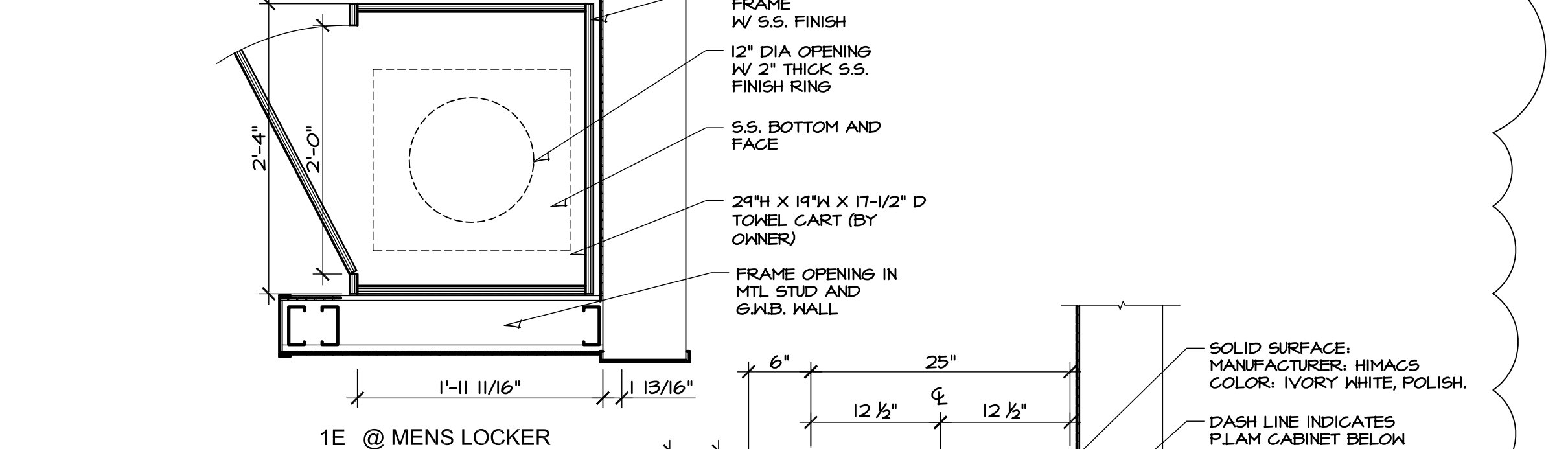
2 TOWEL DROP AT CHECK-IN DESK
SCALE 1" = 1'-0"



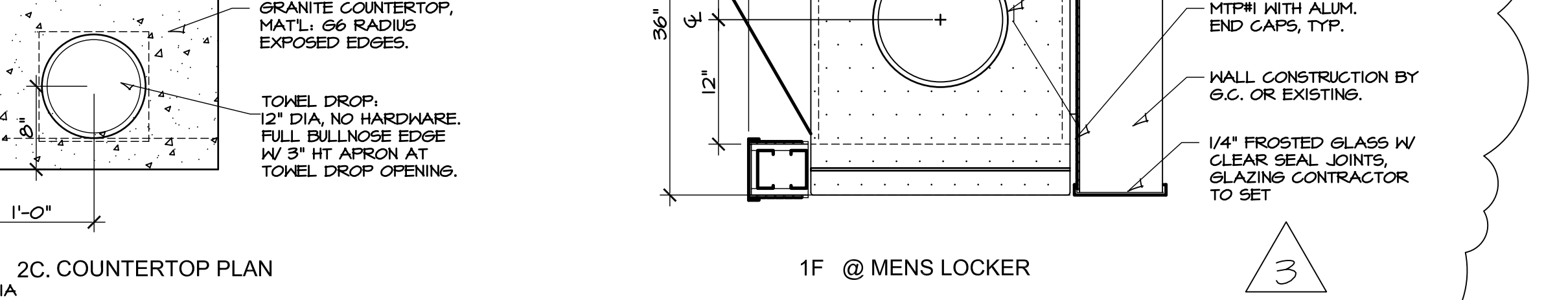
3 GROOMING STATION
SCALE: N.T.S.



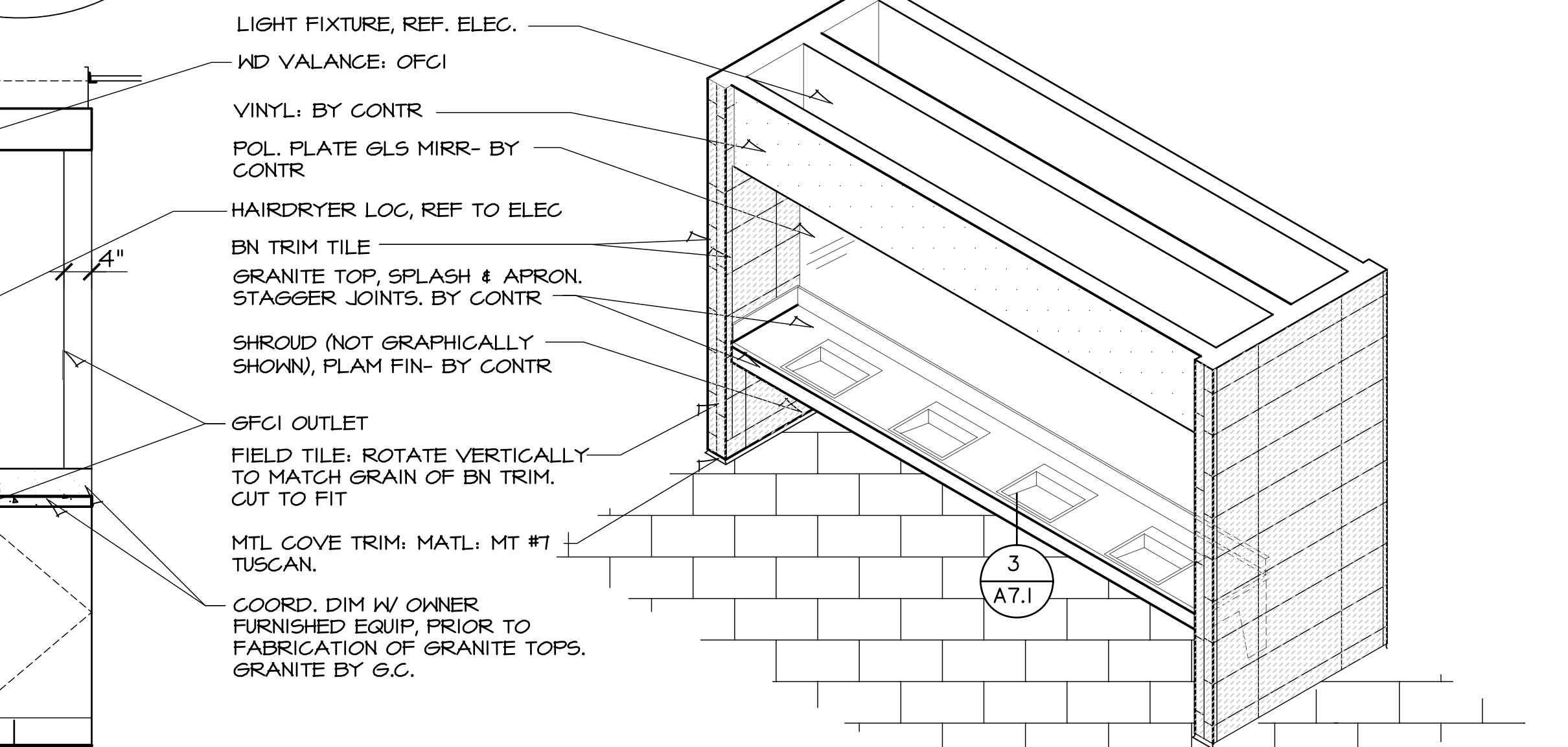
1C @ WOMENS LOCKER and **1D @ WOMENS LOCKER**



1E @ MENS LOCKER and **1F @ MENS LOCKER**



2C COUNTERTOP PLAN



3 SINK AREA
SCALE: N.T.S.

DRAWINGS ISSUED			
NO.	DATE	ITEM	ISSUED
20	10/10/19	ADDENDUM #3	
19	04/04/19	BID SET	
18	04/03/19	CODE REVIEW	
17	08/26/19	CODE REVIEW	
16	08/11/19	CODE REVISIONS	
15	06/17/19	CODE REVISIONS	
14	04/22/19	PLAN REVIEW	
13	02/18/19	REVIEW	
12	01/29/19	REVIEW	
11	01/08/19	REVISIONS	
10	12/19/18	REVIEW	
9	11/27/18	REVIEW	

COMPUTER DRAWING	
60E_A104.DWG	

DATE:	APRIL 2019
DRAWN BY:	CHKD BY:
MH, CH, JC, MB	MRH