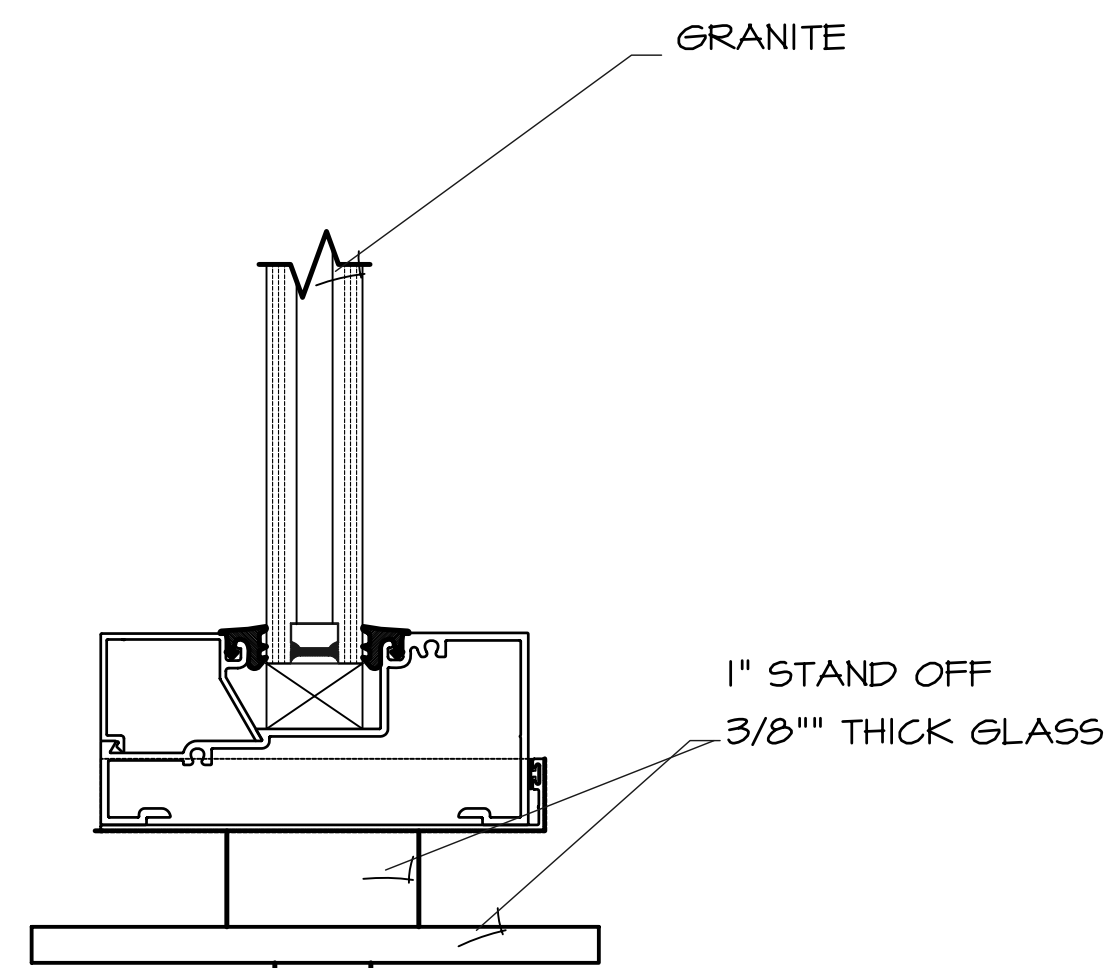
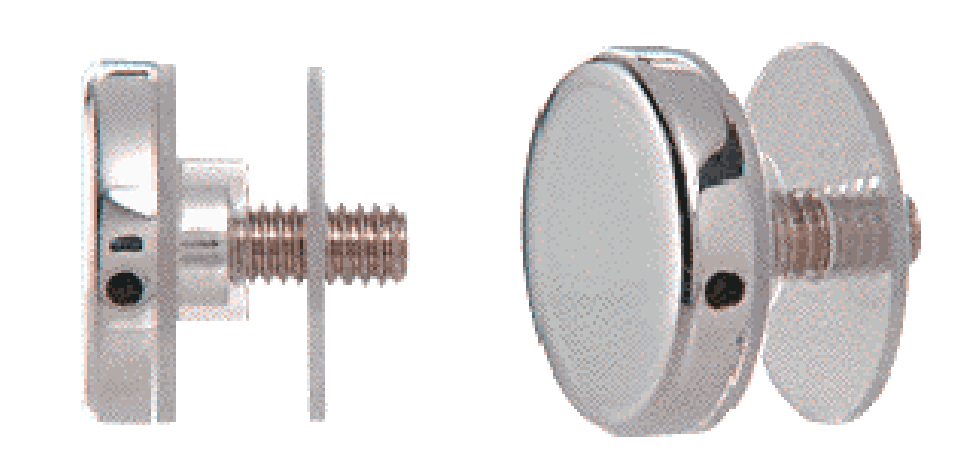


**A** SHOWER GLASS DOOR  
SCALE: 1/2" = 1'-0"  
0 1 5 10 20  
NORTH

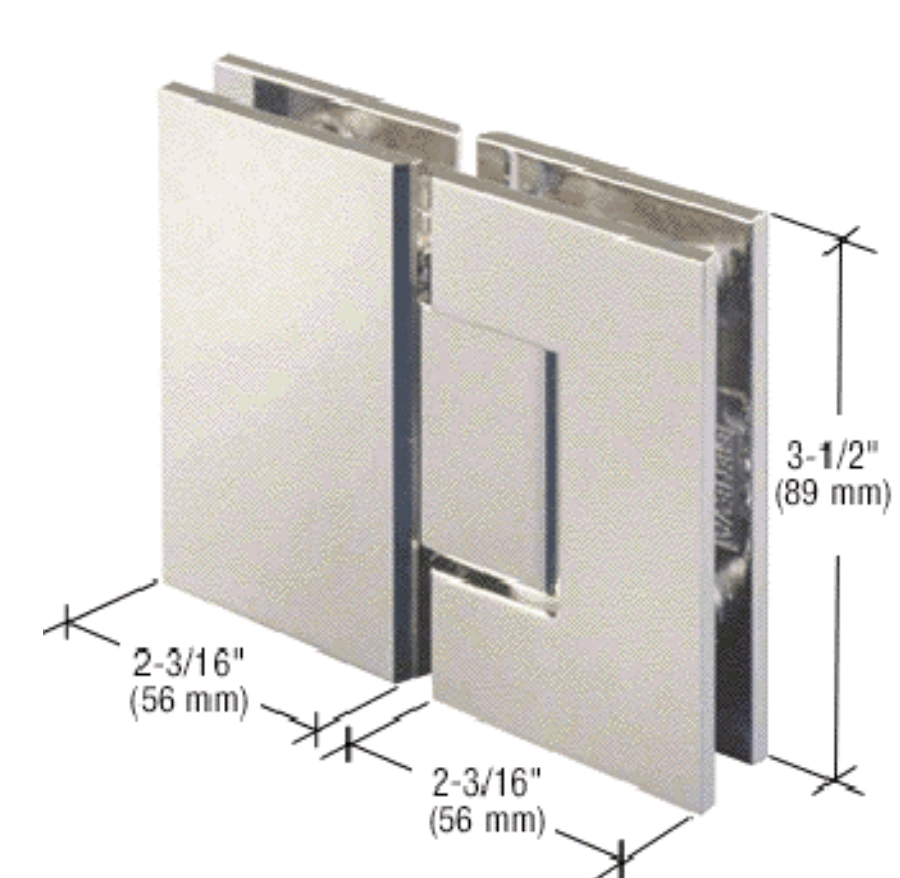


**I** SHOWER JAMB SECTION  
SCALE: 1/2" = 1'-0"



**B** SHOWER CHROME BUTTON  
SCALE: 1/2" = 1'-0"

CRL 1-1/4" DIA. STANDOFF CAP ASSEMBLIES CHROME PG.F187 CAPI14CH



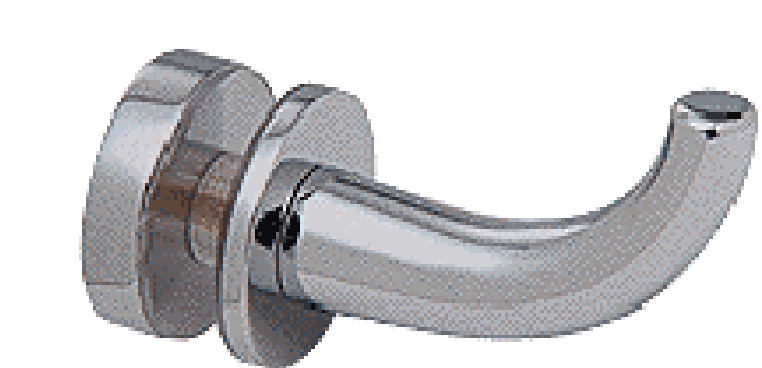
**C** SHOWER CHROME HINGE  
SCALE: 1/2" = 1'-0"

CRL CHROME 180 DEGREE GLASS-TO-GLASS VICTORIA SERIES HINGE FOR USE WITH 3/8" TO 1/2" (10-12MM) THICK TEMPERED SAFETY GLASS VCT180CH



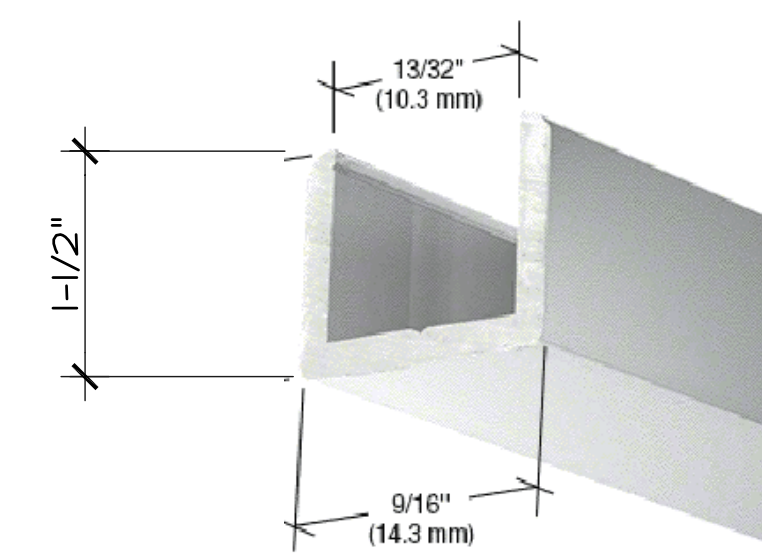
**D** SHOWER CHROME PULL HANDLE  
SCALE: 1/2" = 1'-0"

CRL SURFACE MOUNTED BARS ARE 1-1/4" (32 mm) IN ROUND, AND FEATURES A COVERED FLANGE TO CONCEAL THE FASTENERS. LENGTH IS 24" (457 and 610 mm).



**E** SHOWER CHROME ROBE HOOK  
SCALE: 1/2" = 1'-0"

CRL DESIGNER SERIES THROUGH-GLASS ROBE HOOKS CHROME REQUIRES 1/2" (12MM) DIA. HOLE IN GLASS OR MAY BE ADHERED USING UV ADHESIVE

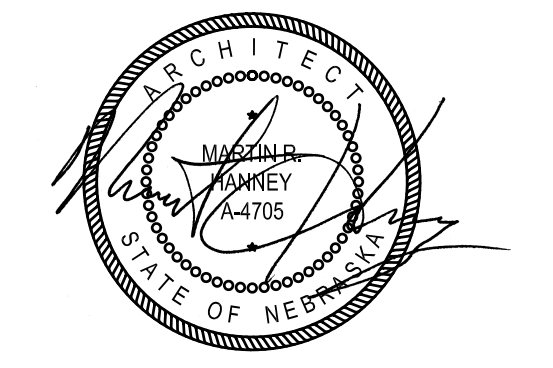


**F** SHOWER ANODIZED U CHANNEL  
SCALE: NTS

CRL BRITE ANODIZED FRAMLESS SHOWER DOOR ALUMINUM REG. U-CHANNEL FOR 3/8" SDCR38BA



**H** EXAMPLE GLASS SHOWER DOORS  
SCALE: NTS



10/02/14  
HANNEY & ASSOCIATES, ARCHITECTS  
1726 South Hillside, Wichita, Kansas, 67211  
Phone: (316) 683-8965  
Fax: (316) 684-1441

2019  
GENESIS HEALTH CLUBS  
WESTROADS  
1212 NORTH 102ND STREET  
OMAHA, NE 68114



DRAWINGS ISSUED			
NO.	DATE	ITEM	ISSUED
20	10/02/14	ADDENDUM 2	
19	04/04/14	BID SET	
18	04/03/14	CODE REVIEW	
17	08/26/14	CODE REVIEW	
16	08/11/14	CODE REVISIONS	
15	06/17/14	CODE REVISIONS	
14	04/22/14	PLAN REVIEW	
13	02/18/14	REVIEW	
12	01/29/14	REVIEW	
11	01/08/14	REVISIONS	
10	12/19/13	REVIEW	
9	11/27/13	REVIEW	

COMPUTER DRAWING  
60E\_A610.dwg

DATE: APRIL 2014  
DRAWN BY: CHECKED BY:  
MH, CH, JC, MB MRH

SHEET  
**A6.10**  
OF - SHEETS