

10/02/19  
**HANNEY & ASSOCIATES, ARCHITECTS**  
 1726 South Hillsdale, Wichita, Kansas, 67211  
 Phone: (316) 683-8965  
 Fax: (316) 684-1441

**2019**  
**GENESIS HEALTH CLUBS**  
**WESTROADS**  
 1212 NORTH 102ND STREET  
 OMAHA, NE 68114

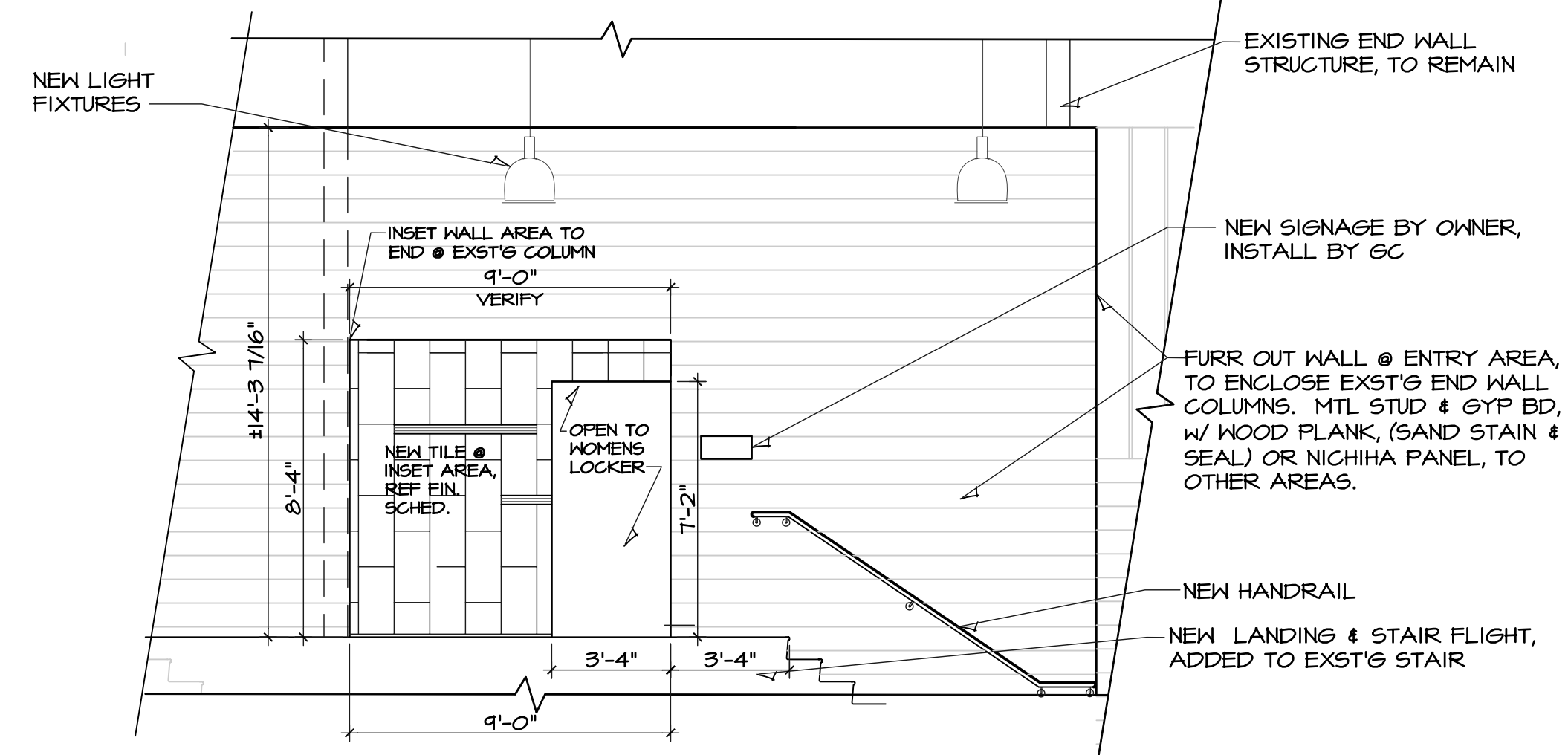


DRAWINGS ISSUED		
NO.	DATE	ITEM ISSUED
20	10/02/19	ADDENDUM 2
19	04/04/19	BID SET
18	04/03/19	CODE REVIEW
17	02/26/19	CODE REVIEW
16	08/11/19	CODE REVISIONS
15	06/17/19	CODE REVISIONS
14	04/22/19	PLAN REVIEW
13	02/18/19	REVIEW
12	01/29/19	REVIEW
11	01/08/19	REVISIONS
10	12/19/18	REVIEW
9	11/27/18	REVIEW

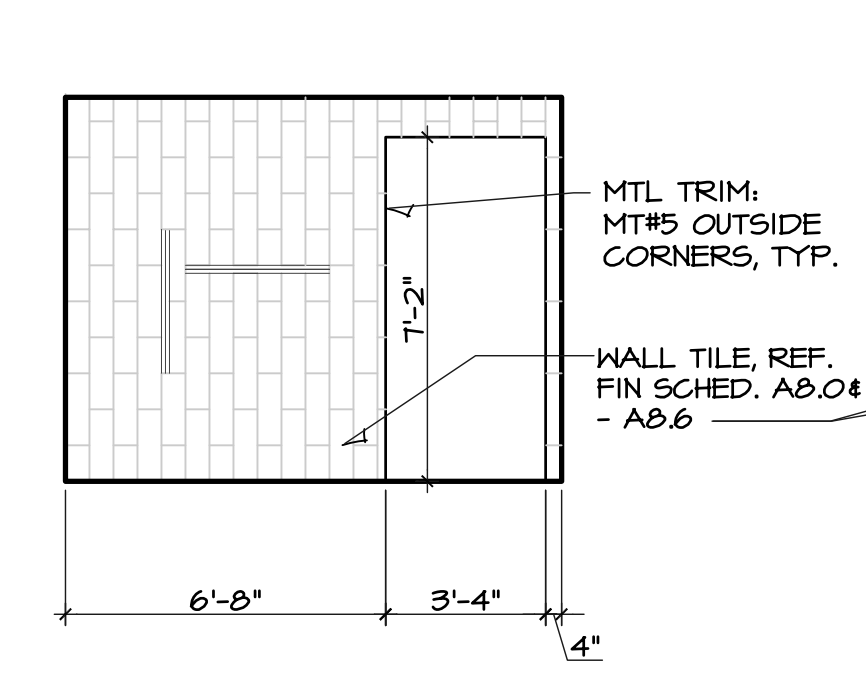
COMPUTER DRAWING  
 GOE\_A608.dwg

DATE: APRIL 2019  
 DRAWN BY: CH, JC, MB  
 CHECKED BY: MRH

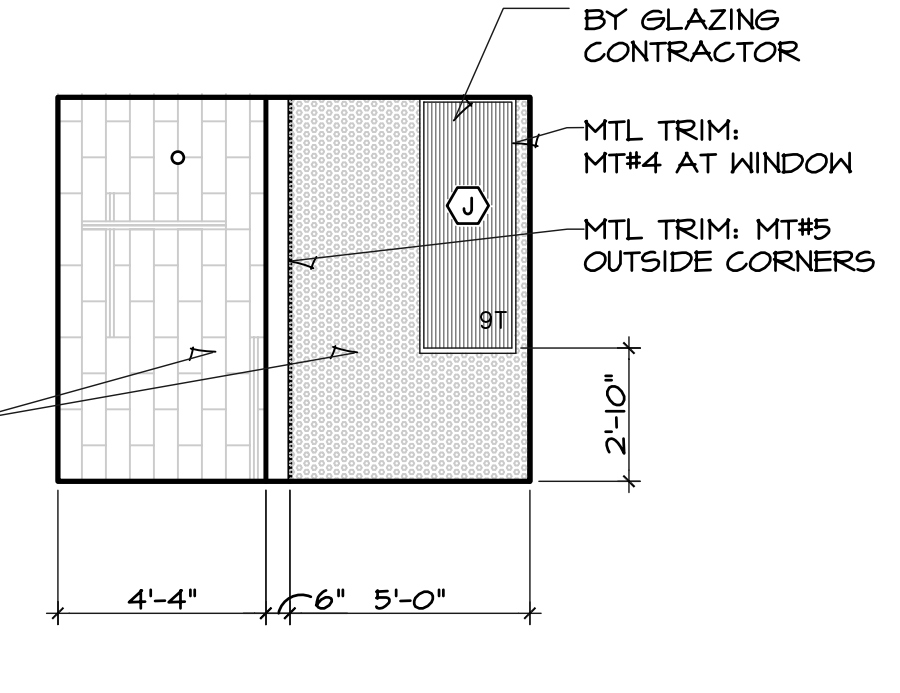
SHEET  
**A6.8a**  
 OF SHEETS



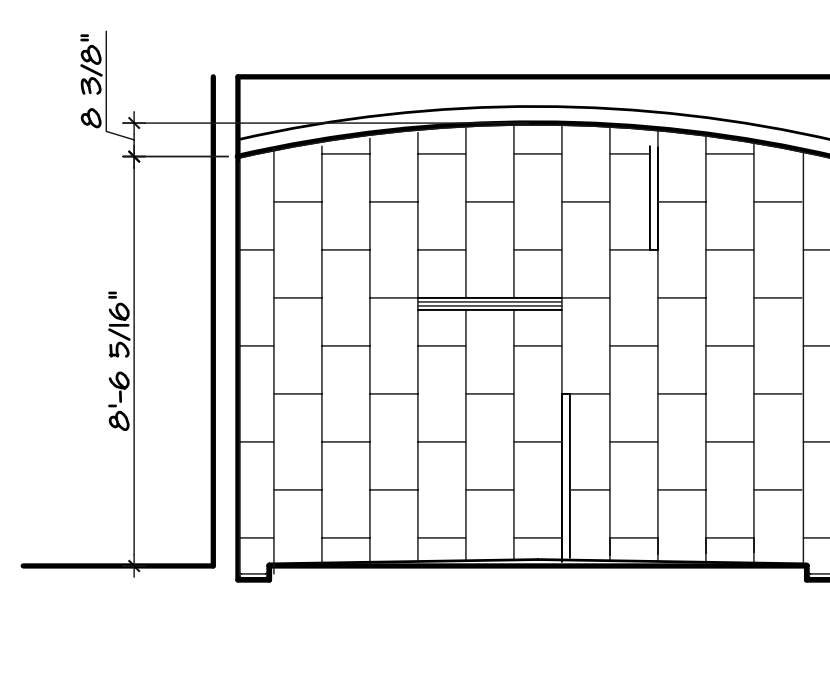
**1 WOMENS LOCKER ENTRY ELEVATION**  
 SCALE: 1/4" = 1'-0"



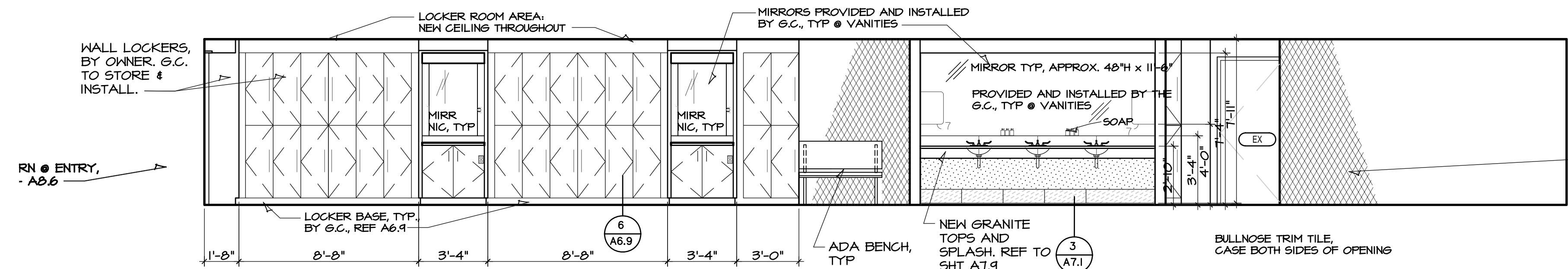
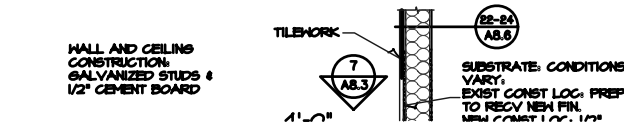
**2 ENTRY ELEV**  
 SCALE: 1/4" = 1'-0"



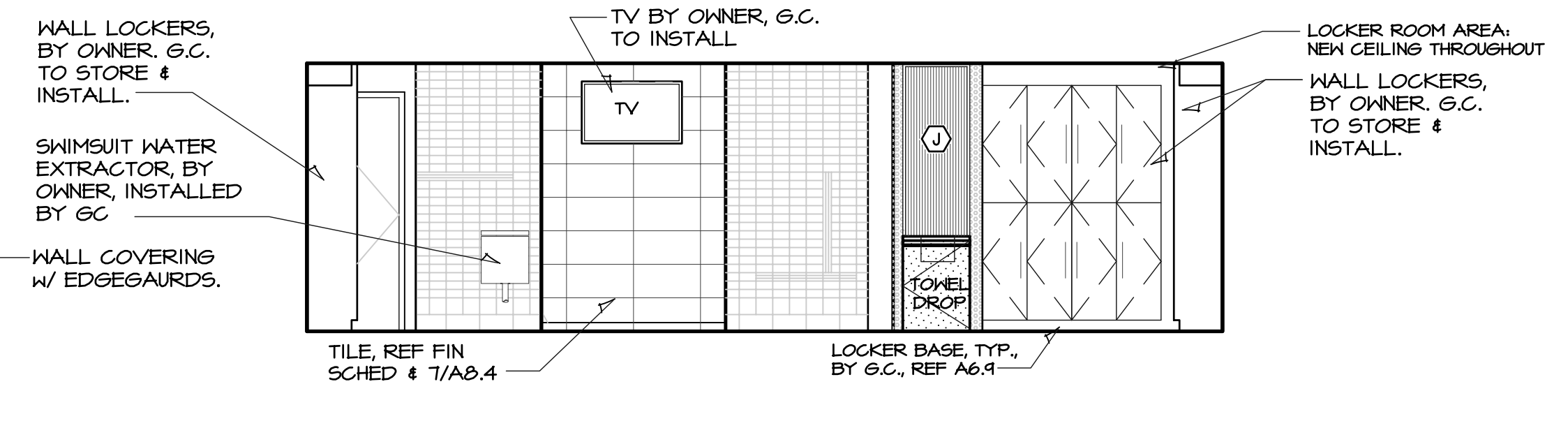
**3 ENTRY ELEV**  
 SCALE: 1/4" = 1'-0"



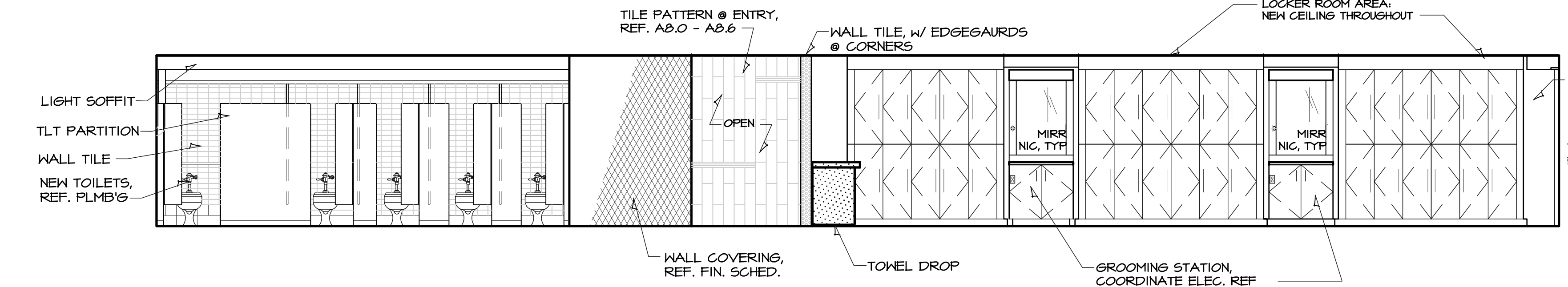
**15 SHOWER WALL**  
 SCALE: 1/4" = 1'-0"



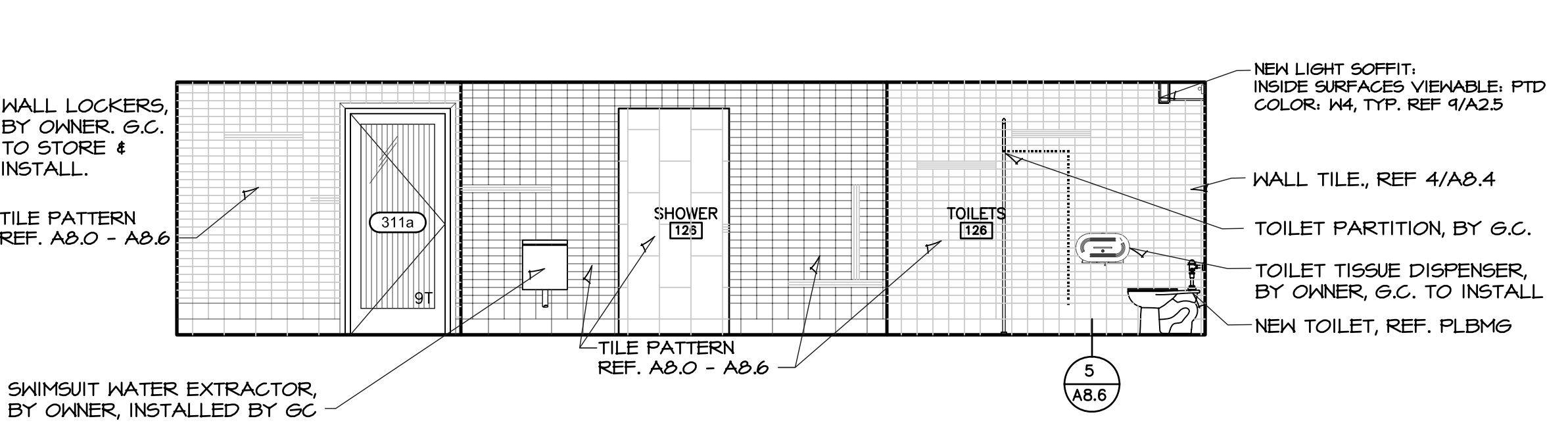
**4 WOMENS LOCKER ELEVATION**  
 SCALE: 1/4" = 1'-0"



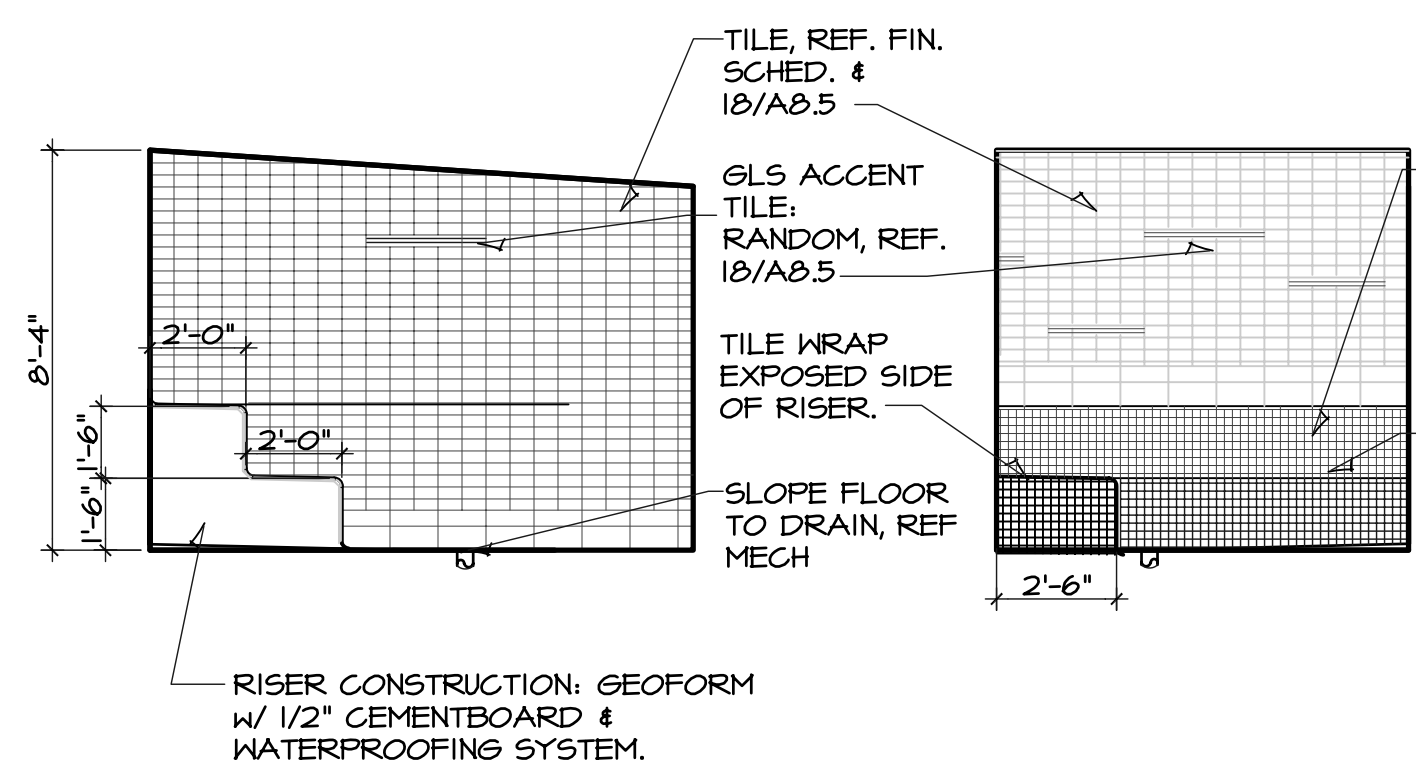
**5 WOMENS LOCKER ELEVATION**  
 SCALE: 1/4" = 1'-0"



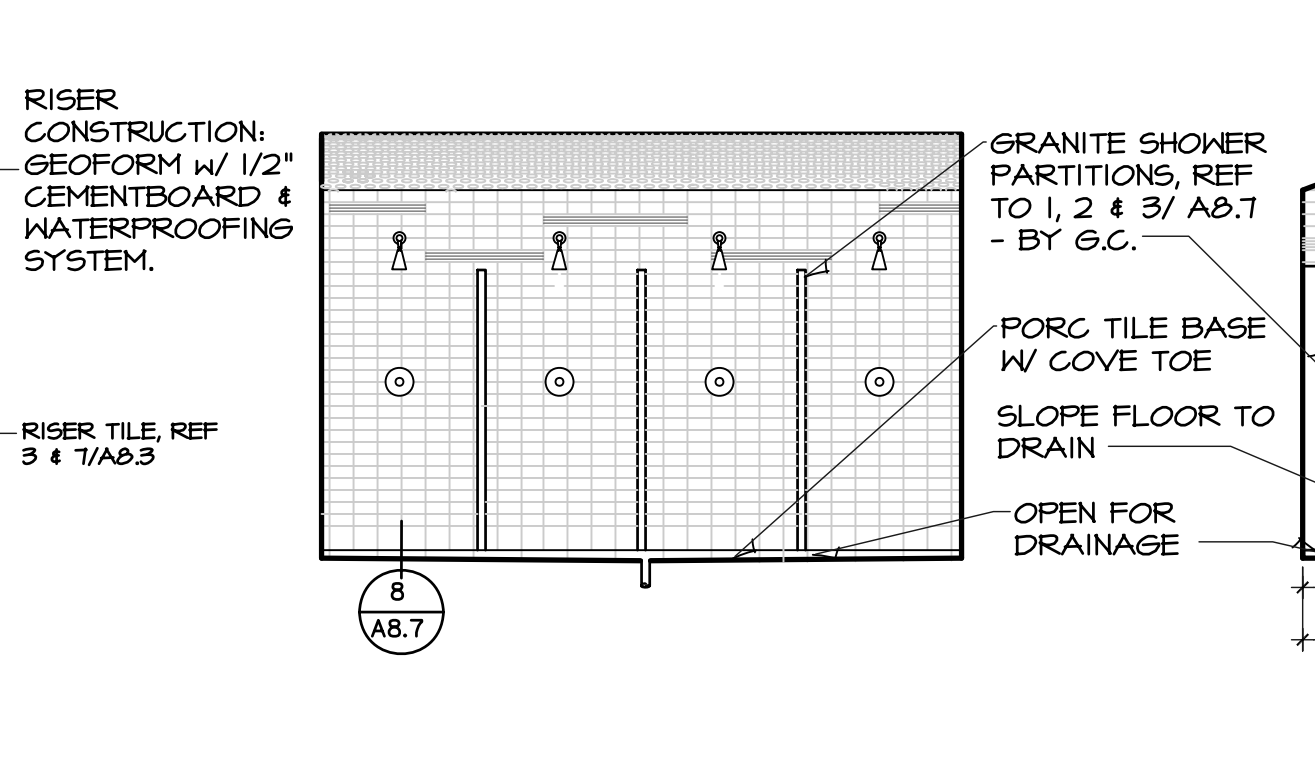
**6 WOMENS LOCKER ELEVATION**  
 SCALE: 1/4" = 1'-0"



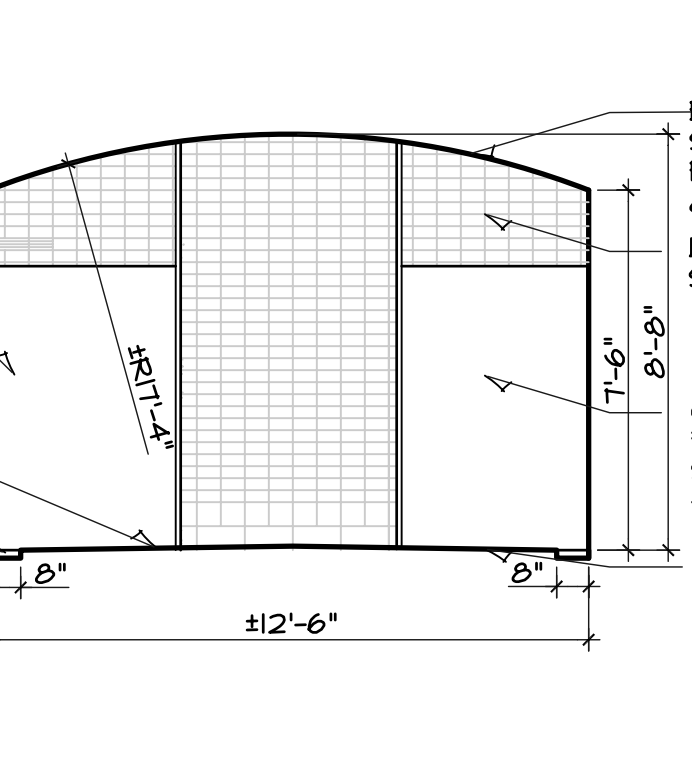
**7 WOMENS LOCKER ELEVATION**  
 SCALE: 1/4" = 1'-0"



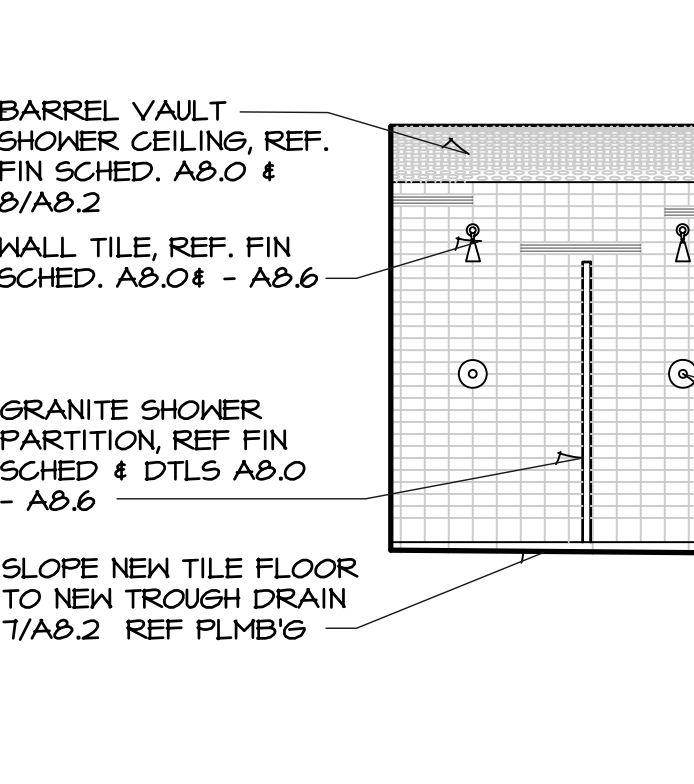
**8 SAUNA ELEV**  
 SCALE: 1/4" = 1'-0"



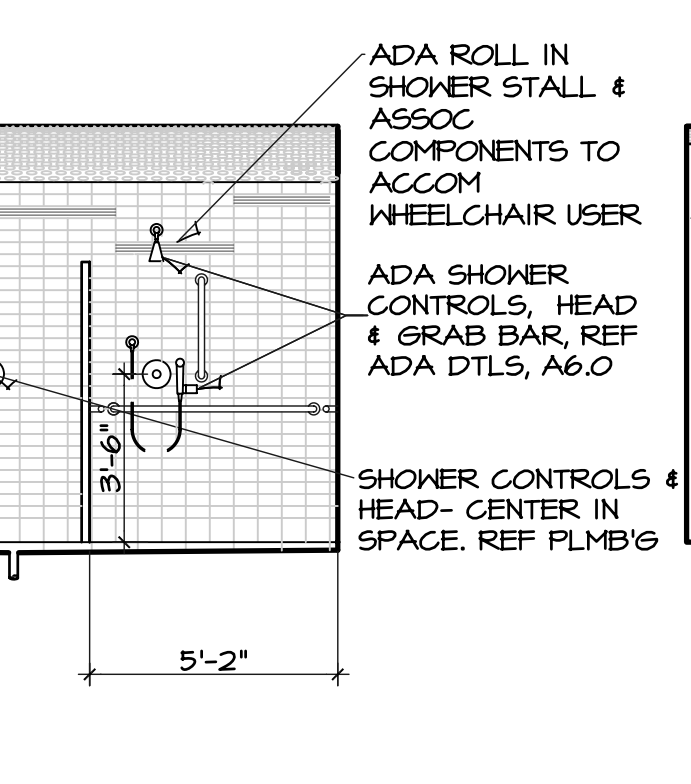
**9 SAUNA ELEV**  
 SCALE: 1/4" = 1'-0"



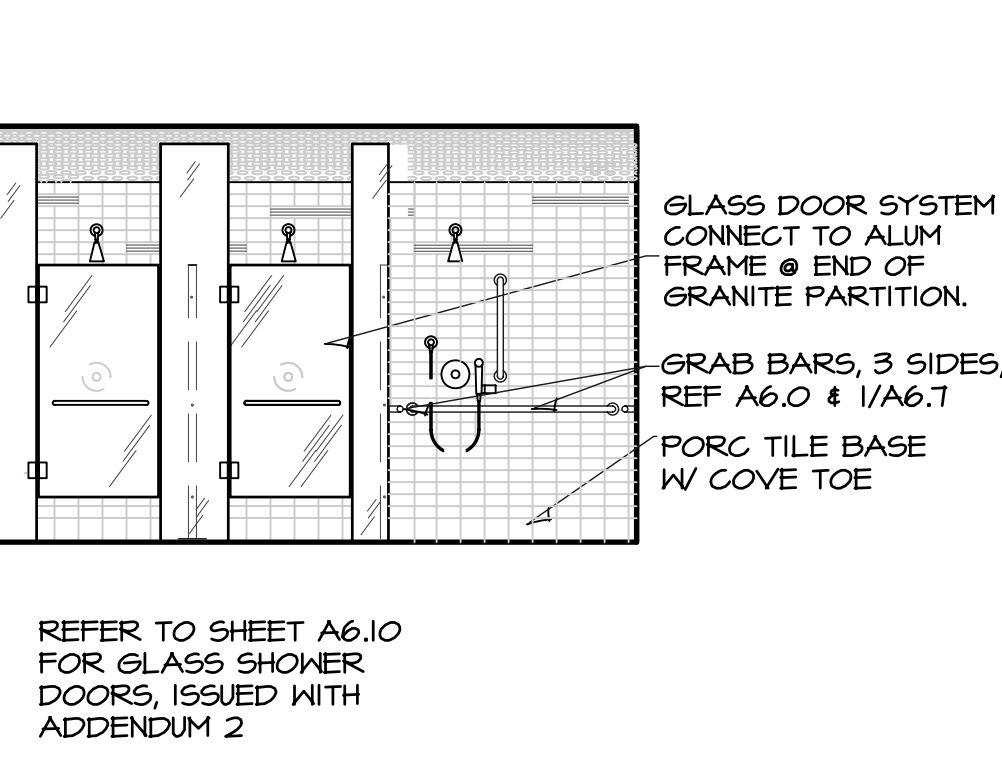
**10 SHOWER ELEVATION**  
 SCALE: 1/4" = 1'-0"



**11 SHOWER ELEVATION**  
 SCALE: 1/4" = 1'-0"



**12 SHOWER ELEVATION**  
 SCALE: 1/4" = 1'-0"



**13 SHOWER ELEVATION**  
 SCALE: 1/4" = 1'-0"