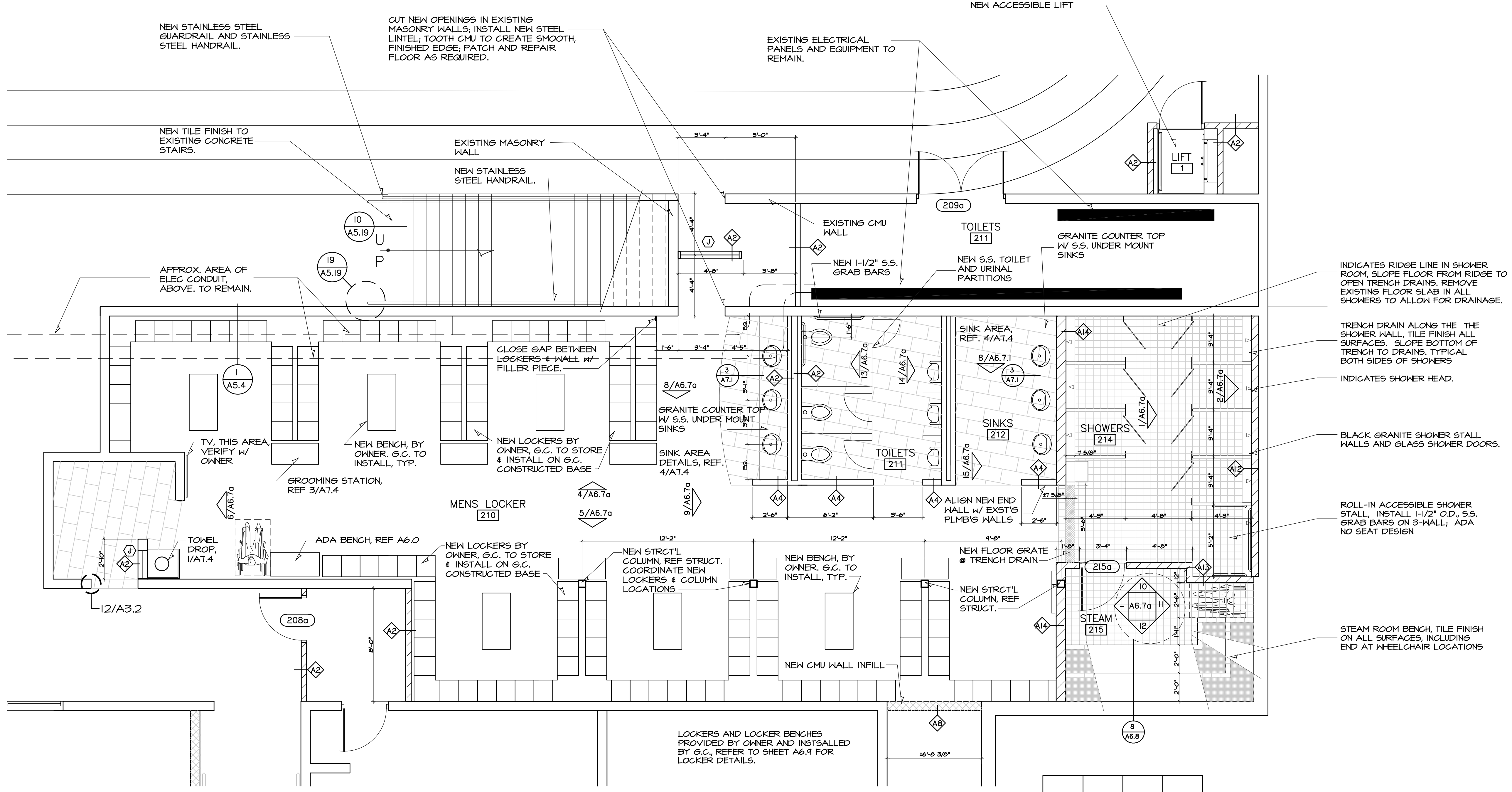
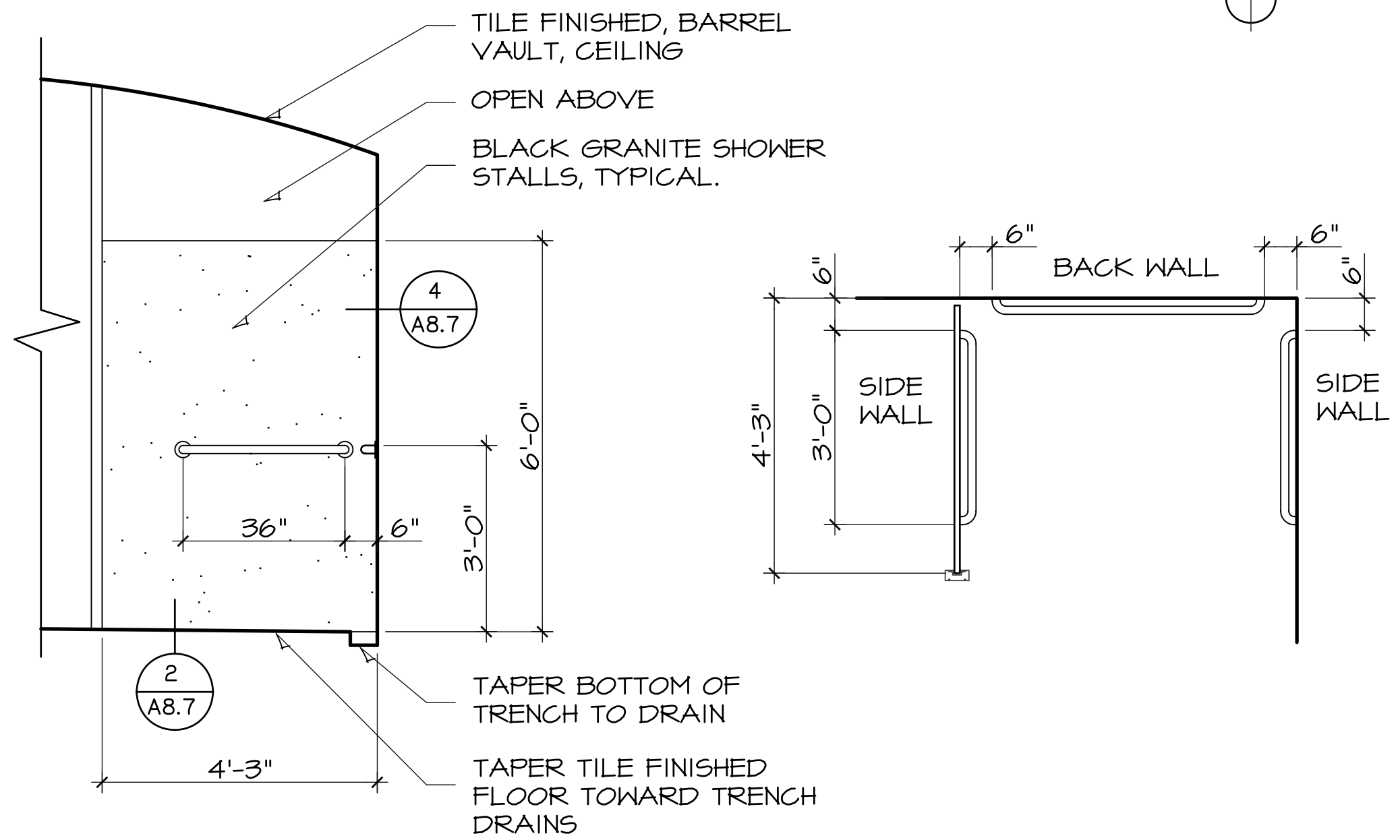
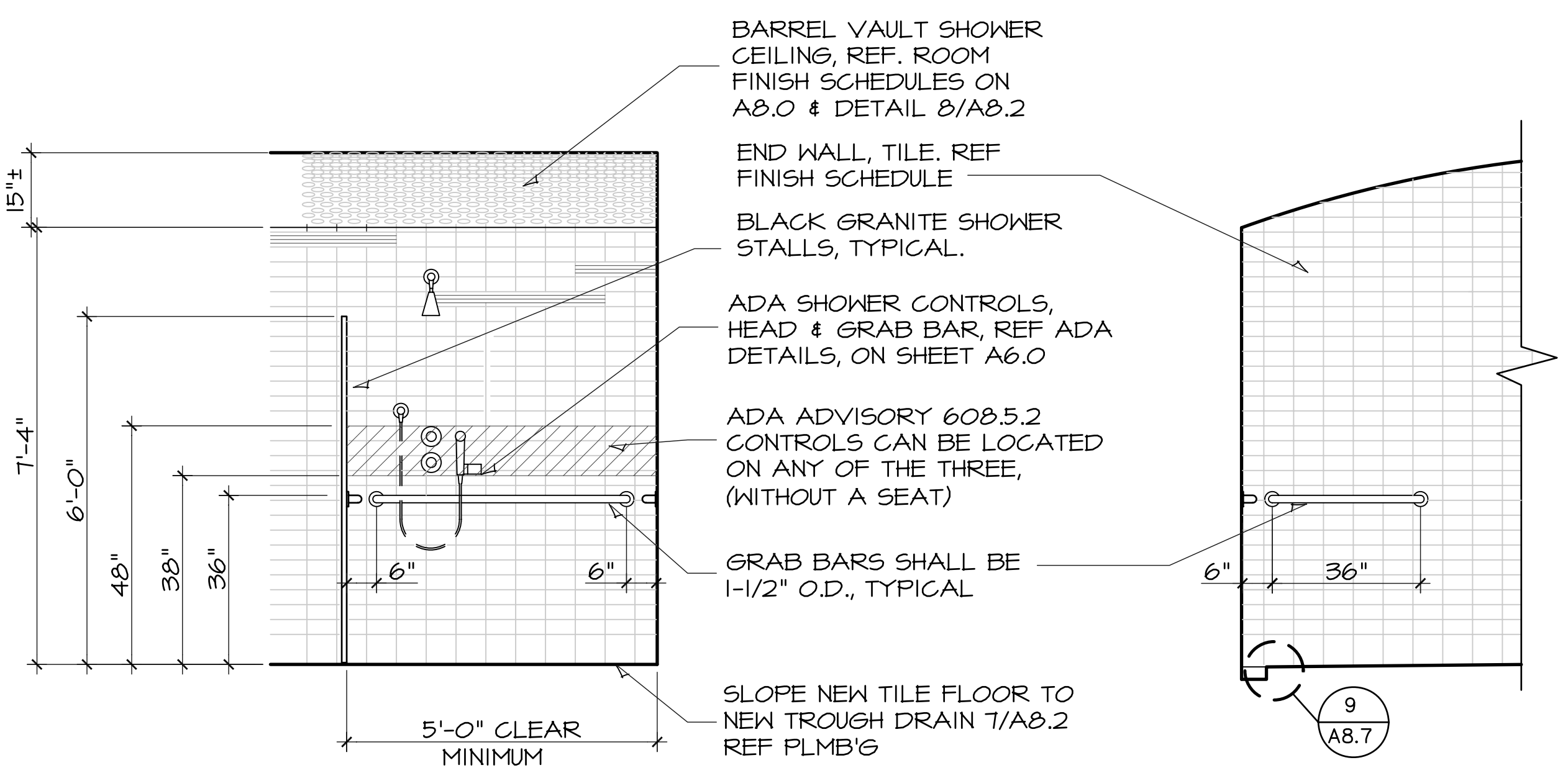
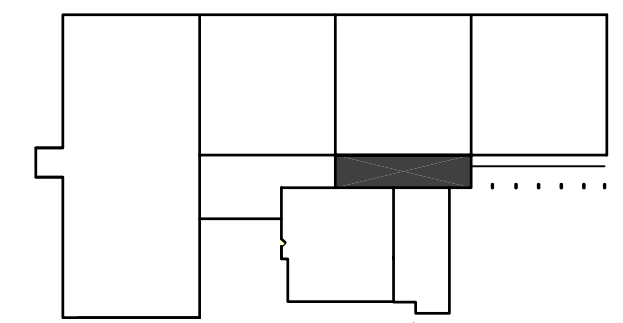
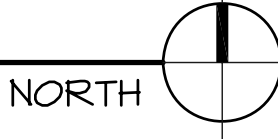
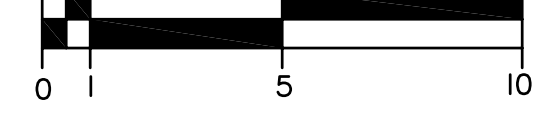


HANNEY & ASSOCIATES, ARCHITECTS
 1726 South Hillside, Wichita, Kansas, 67211
 Phone: (316) 683-8965
 Fax: (316) 684-1441

2019 GENESIS HEALTH CLUBS WESTROADS
 1212 NORTH 102ND STREET
 OMAHA, NE 68114



**MENS LOCKER ROOM 210
 ENLARGED FLOOR PLAN**
 SCALE: 1/4" = 1'-0"



1 ROLL-IN SHOWER DETAIL
 SCALE: 1/2" = 1'-0"

DRAWINGS ISSUED		
NO.	DATE	ITEM ISSUED
20	10/02/19	ADDENDA #2
19	09/09/19	BID SET
18	09/03/19	CODE REVIEW
17	08/26/19	CODE REVIEW
16	08/11/19	CODE REVISIONS
15	06/17/19	CODE REVISIONS
14	04/22/19	PLAN REVIEW
13	02/18/19	REVIEW
12	01/29/19	REVIEW
11	01/08/19	REVISIONS
10	12/19/18	REVIEW
9	11/27/18	REVIEW

COMPUTER DRAWING
 GOE_A607.dwg

DATE: APRIL 2019
 DRAWN BY: CHECKED BY:
 MH, CH, JC, MB MRH

SHEET
A6.7
 OF SHEETS