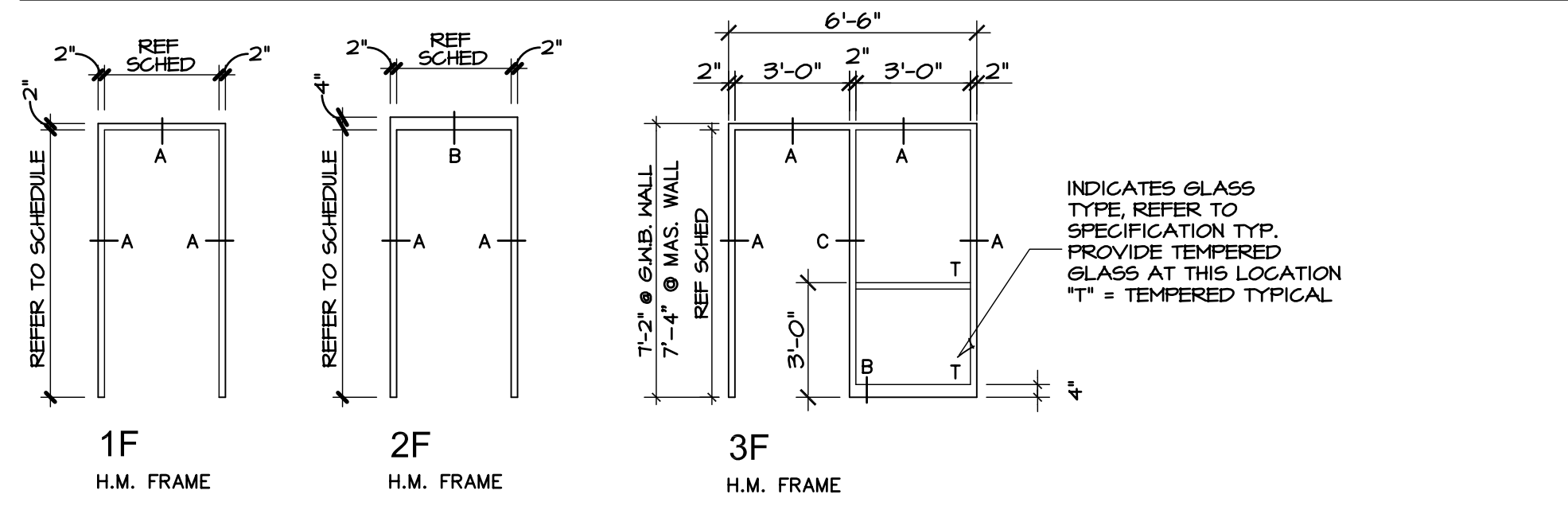
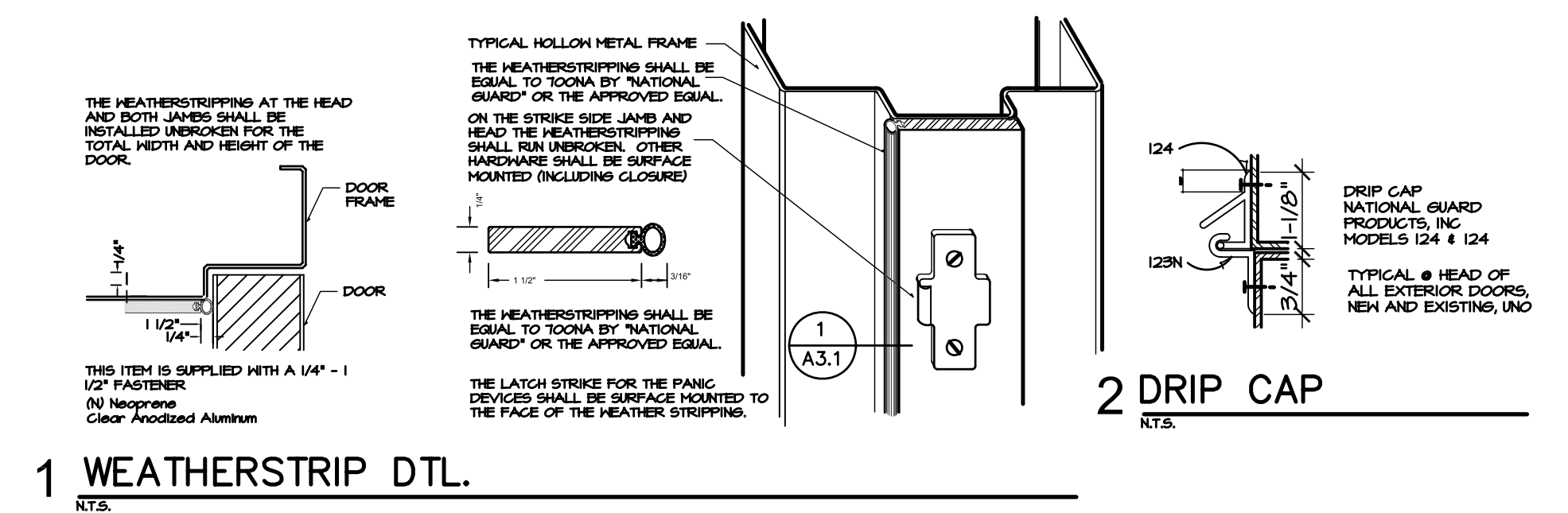


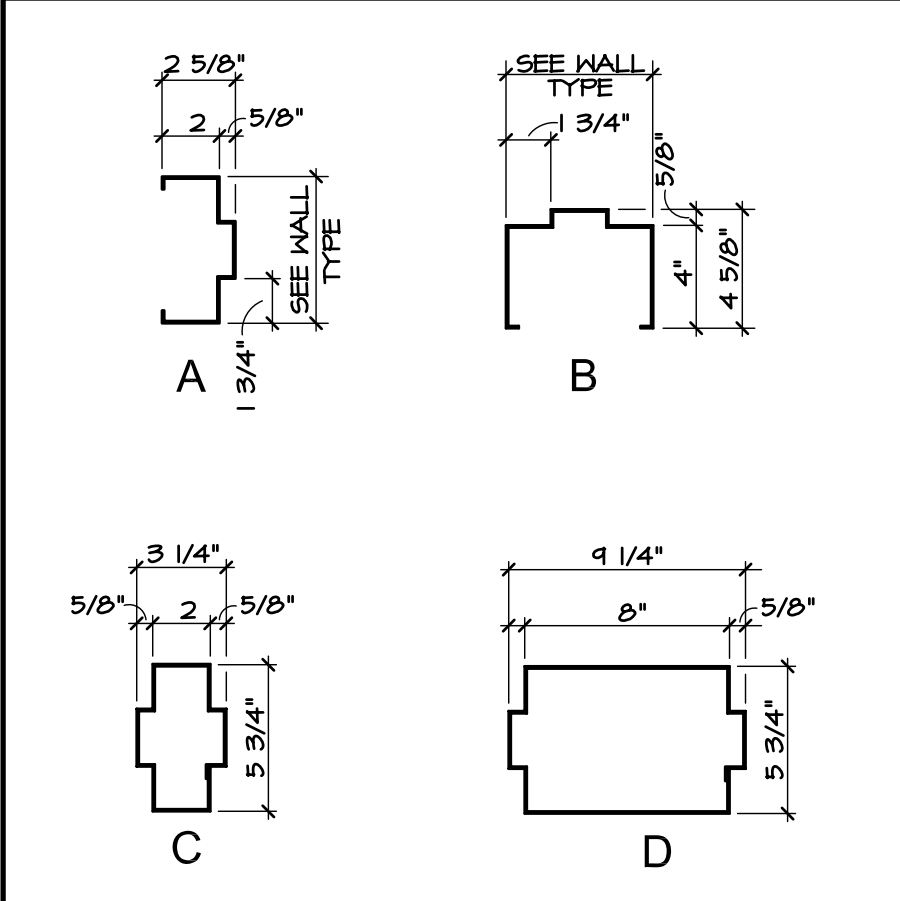
HOLLOW METAL FRAME TYPES



HARDWARE DETAILS



H.M. - FRAME PROFILES



DOOR SCHEDULE

DOOR NO.	ROOM NAME	DOOR			FRAME			FIRE RATING (F.P.S.C.)	HOW. SET NO.	REMARKS				
		MATL	TYPE	THK.	MATL	TYPE	DETAILS							
100a	FOOD	ALUM.	A2	1-3/4"	6'-0"	7'-0"	ALUM.	(D)	-	3/A3.1	-	1	A 4 D	
102a	FOOD	H.M.	MI-B	1-3/4"	4'-0"	7'-0"	H.M.	2F	1 & 2/A3.1	1/A3.1	3/A3.1	-	2	A 4 B
200a	VESTIBULE	ALUM.	A4	-	-	-	A4	-	-	-	-	-	3	STANLEY DURAGLIDE 2000 SERIES -REF. 08300 SPEC. SECTION
200b	VESTIBULE	ALUM.	A2	1-3/4"	6'-0"	7'-0"	ALUM.	(R)	-	-	-	-	6	C 4 D
203a	SEATING	H.M.	M2	1-3/4"	3'-0"	7'-0"	H.M.	3F	1 /A3.1	1/A3.1	3/A3.1	60-MIN.	7	LEVEL 4, 14 GAUGE DOOR
206a	SHELTER	H.M.	M1	1-3/4"	3'-0"	7'-0"	H.M.	2F	-	-	-	-	8	LEVEL 4, 14 GAUGE DOOR
212a	SHOWER	H.M.	MI	1-3/4"	3'-0"	7'-0"	H.M.	1F	-	-	-	-	13	-
213a	SHOWER	H.M.	MI	1-3/4"	3'-0"	7'-0"	H.M.	1F	-	-	-	-	13	-
214a	JANITOR	H.M.	MI	1-3/4"	3'-0"	7'-0"	H.M.	1F	-	-	-	-	13	-
216a	STOCKRM	H.M.	MI	1-3/4"	3'-0"	7'-0"	ALUM.	1F	-	-	-	-	10	-
216b	STOCKRM	H.M.	MI	1-3/4"	4'-0"	7'-0"	H.M.	2F	1 & 2/A3.1	1/A3.1	3/A3.1	-	4	-
220a	BEV SPRT	H.M.	MI	1-3/4"	3'-0"	7'-0"	H.M.	1F	-	-	-	-	12	-
221a	VESTIBULE	ALUM.	A1	1-3/4"	3'-0"	7'-0"	H.M.	(M)	-	-	-	-	6	-
221b	VESTIBULE	ALUM.	A1	1-3/4"	3'-0"	7'-0"	H.M.	(D)	1 & 2/A3.1	1/A3.1	3/A3.1	-	5	C 4 D
301a	MEZZANINE	H.M.	MI	1-3/4"	4'-0"	7'-0"	H.M.	1F	1 & 2/A3.1	1/A3.1	3/A3.1	-	14	-

NOTES: ALL HARDWARE TO BE REVIEWED AND APPROVED BY OWNER PRIOR TO ORDERING.

DOOR SCHEDULE NOTES:
 A. G.C. TO REFER TO MOKAS DWG. SHEET A1.2 - FOR REFERENCE ONLY FOR HARDWARE AND DOOR SPECIFICATIONS.
 B. G.C. TO REFER TO MOKAS DWG. SHEET A1.2 - FOR ADD REQUIREMENTS TO DOOR FINISHES AND HARDWARE ADDED TO THE REAR DOOR.
 C. ELECTROMAGNETIC LOCK WITH MOTION SENSOR EXIT DEVICE AND BACKUP EMERGENCY PUSH BUTTON WITHIN VESTIBULE REFER TO HARDWARE SECTION IN SPECIFICATIONS.
 D. HEATHERSTRIPPING BY ALUMINUM DOOR SUPPLIER.

1 WEATHERSTRIP DTL.

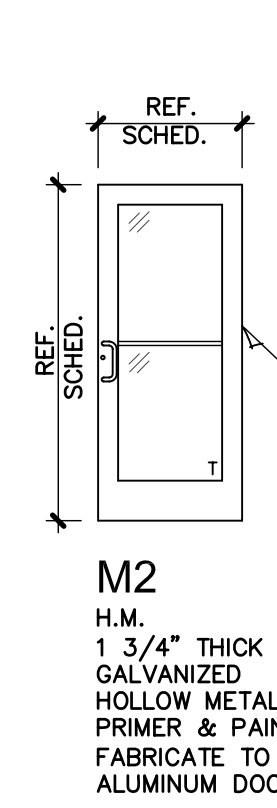
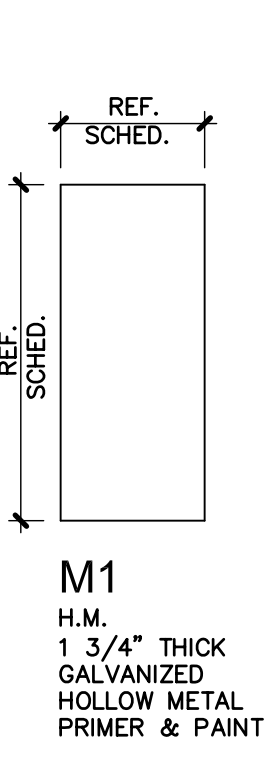
2 DRIP CAP

3 THRESHOLD

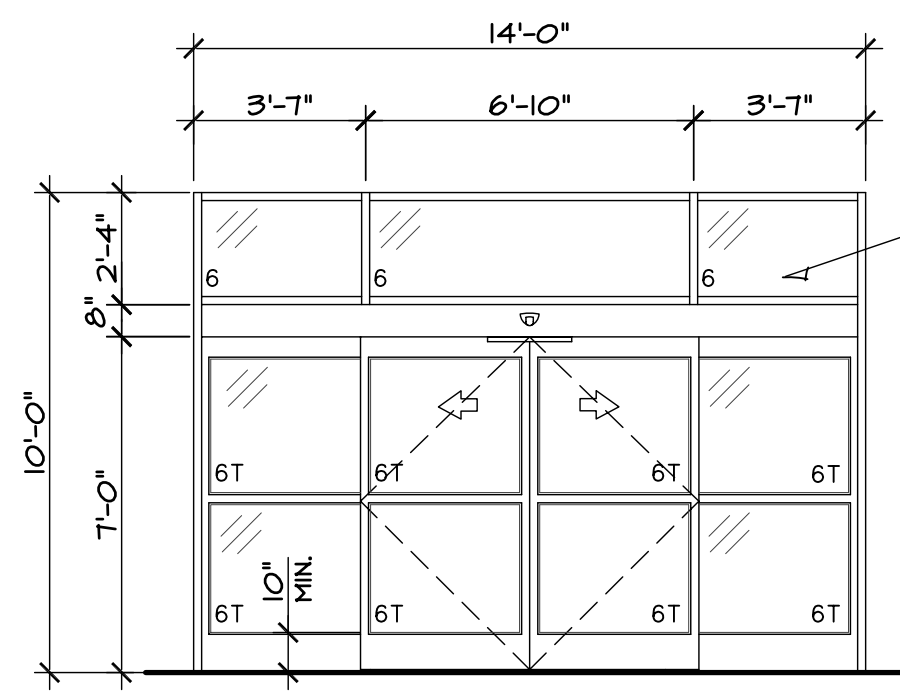
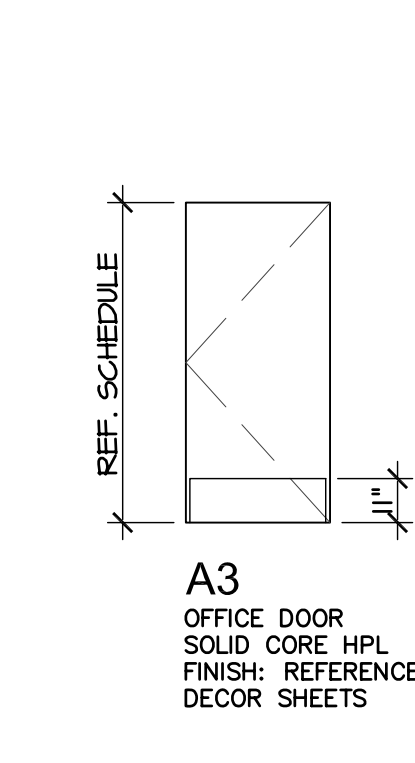
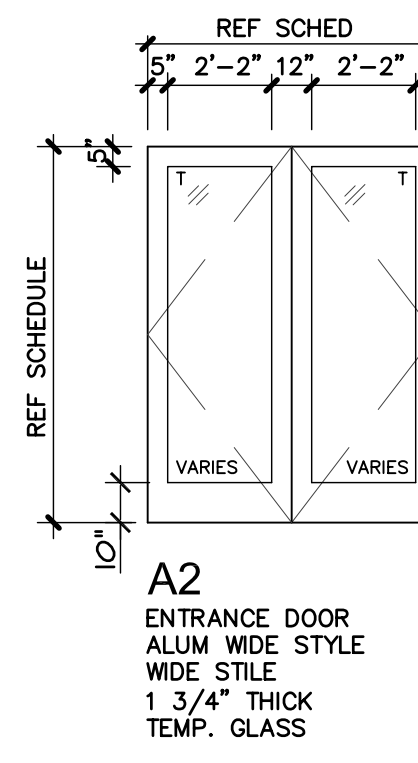
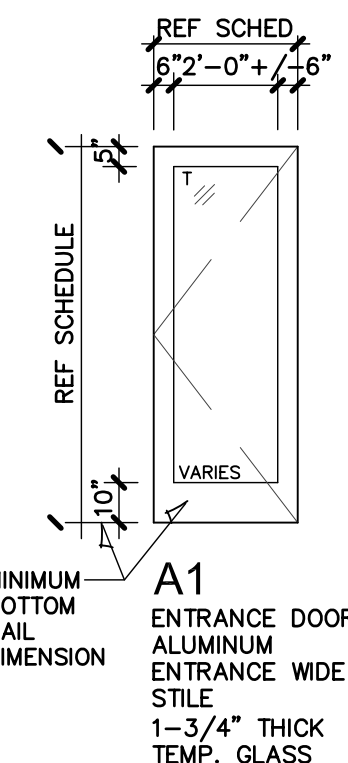
4 DOOR HEAD

ELECTROMAGNETIC LOCK WITH MOTION SENSOR EXIT DEVICE AND BACKUP EMERGENCY PUSH BUTTON WITHIN VESTIBULE REFER TO HARDWARE SECTION IN SPECIFICATIONS.

WEATHERSTRIPPING BY ALUMINUM DOOR SUPPLIER

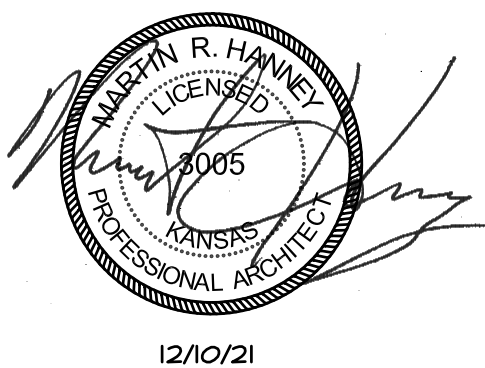


NOTE: THIS H.M. DOOR ASSEMBLY SHALL BE FABRICATED TO RESEMBLE THE ALUMINUM MAIN ENTRANCE DOOR TO THE RESTAURANT SPACE. FIRELITE PLUS GLASS IS TO BE USED IN ORDER TO ACCOMPLISH FIRE RATING



A4
 STANLEY DURA-GLIDE 2000 SERIES 168" PACKAGE WIDTH 72.3" NOMINAL CLEAR DOOR OPENING 42.3" DOOR PANEL NOMINAL WIDTH 79.8" EMERGENCY BREAKOUT NOMINAL WIDTH ANODIZED CLEAR GL2 FINISH 10" BOTTOM RAIL PAIR WITH FOLLOWING AIR CURTAIN: BERNER ARCHITECTURAL HIGH PERFORMANCE 10 "AND10-2072" AND DELUX CONTROL PACKAGE, 24 VOLT CONTROL "91 STR 120 - DA - M - 24"

NOTE: ALL METAL DOORS WITHIN THE 24/7 SPACE SHALL HAVE A KEYLESS ENTRY, DOOR CLOSER, DOOR STOP, AND STAINLESS STEEL BUMPER PANELS INSTALLED FROM THE BOTTOM OF THE DOOR HANDLE TO FINISHED FLOOR. THE FAMILY RESTROOM DOES NOT REQUIRE A KEYLESS ENTRY.



HANNEY & ASSOCIATES, ARCHITECTS
 1726 South Hillside, Wichita, Kansas, 67211
 Phone (316) 683-8965
 Fax (316) 684-1441
 www.haarhitects.com

2021
24-7 TRAVEL STORE
 1980 S. Range Ave.
 Colby, Kansas

DRAWINGS ISSUED		
NO.	DATE	ITEM ISSUED
1	01/6/22	ADDENDUM #2
6	12/10/21	BID SET
5	11/09/21	FINAL PROGRESS
4	10/06/21	PROGRESS SET
3	4/17/21	PROGRESS SET
2	6/17/21	PROGRESS SET
1	4/21/21	START DATE

COMPUTER DRAWING
 C:\A301.DWG

DATE: APRIL, 2021
 DRAWN BY: BS, JC, TH
 CHECKED BY: MH

SHEET
A3.1
 OF SHEETS