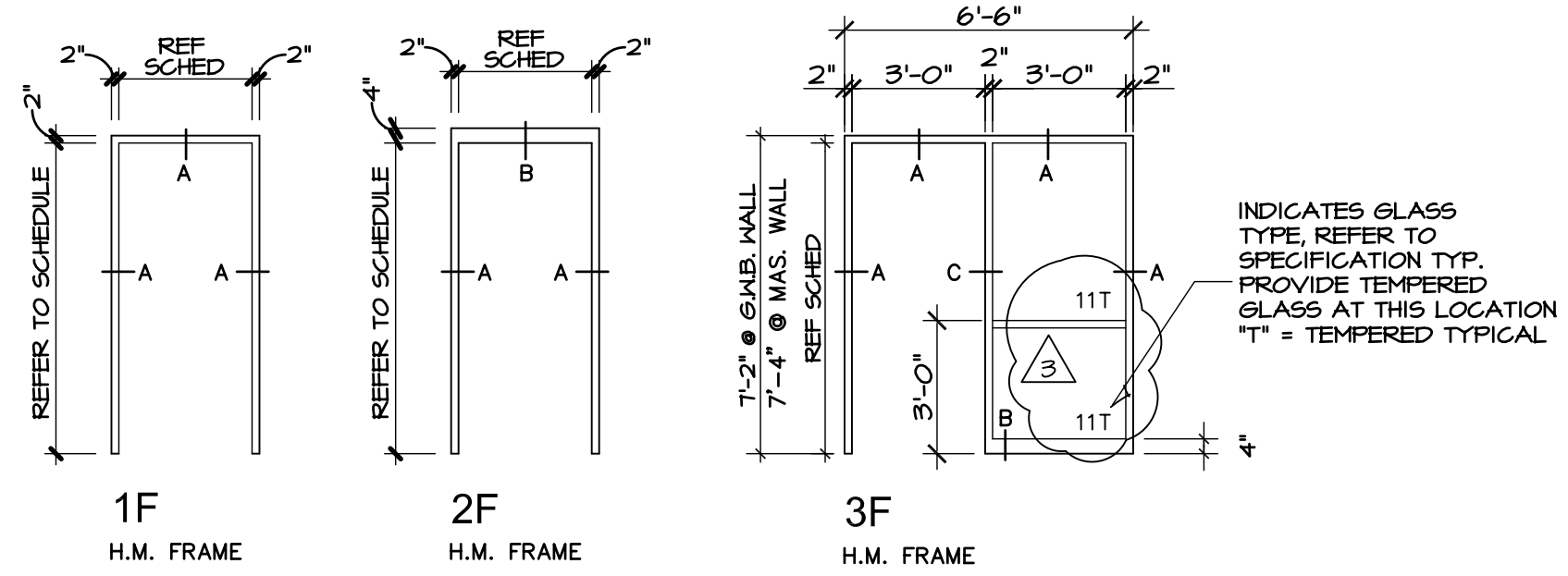
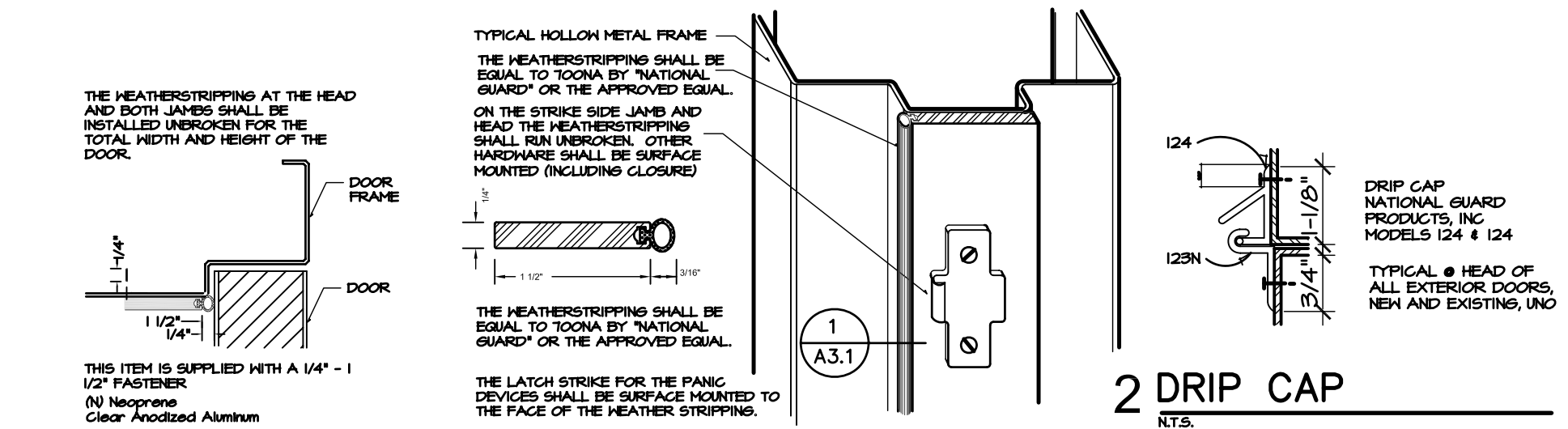


HOLLOW METAL FRAME TYPES

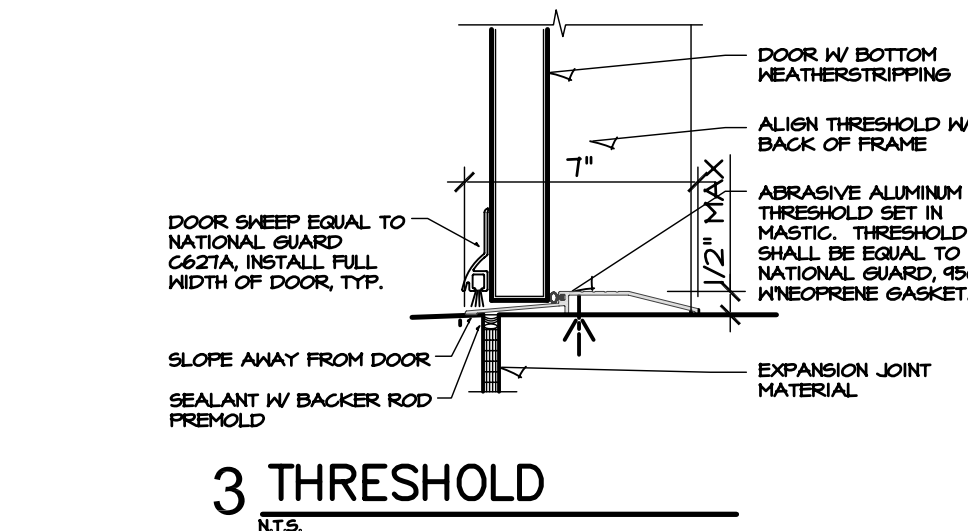


HARDWARE DETAILS

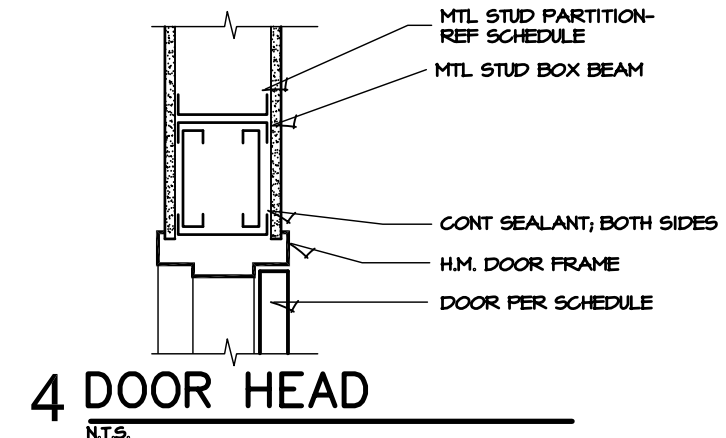


1 WEATHERSTRIP DTL. N.T.A.

2 DRIP CAP N.T.A.

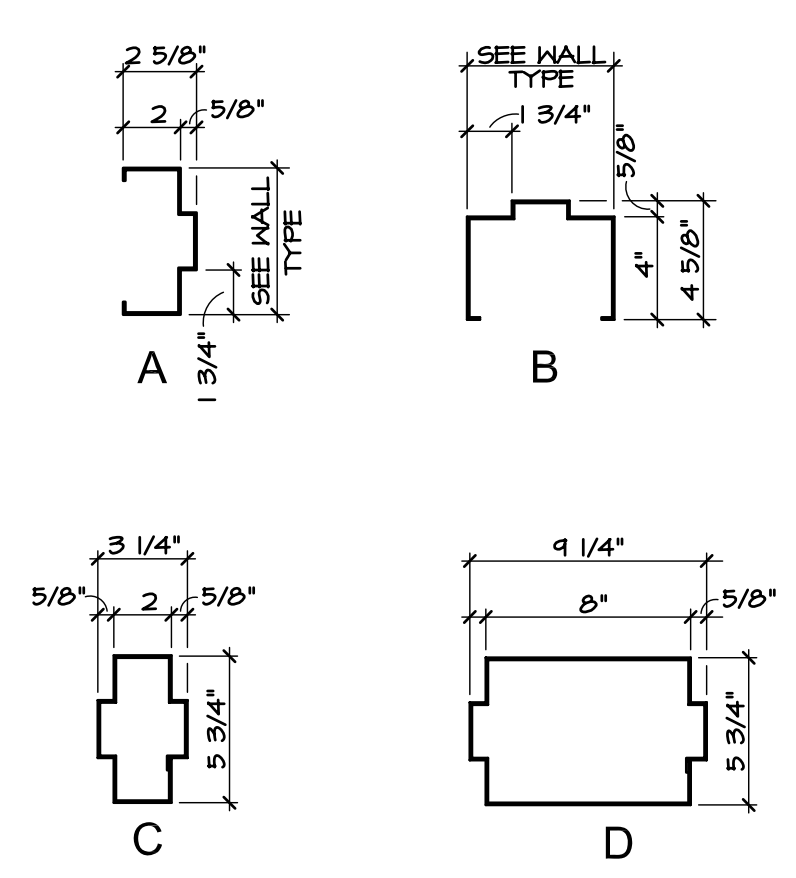


3 THRESHOLD N.T.A.



4 DOOR HEAD N.T.A.

H.M. - FRAME PROFILES



DOOR SCHEDULE

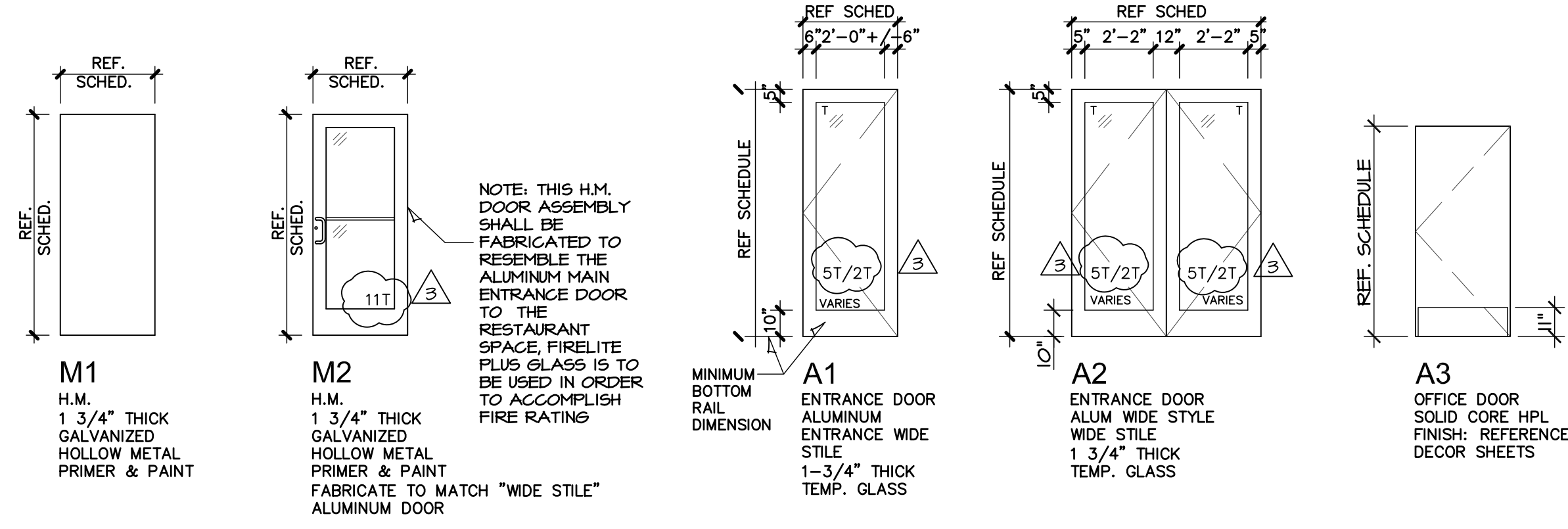
DOOR NO.	ROOM NAME	DOOR				FRAME			FIRE RATING (F/P/SC)	H.W. SET NO.	REMARKS			
		MATL	TYPE	THK.	WIDTH	HEIGHT	MATL	TYPE				DETAILS		
100a	FOOD	ALUM.	A2	1-3/4"	6'-0"	7'-0"	ALUM.	(D)	-	-	3/A3.1	-	1	A 4 D
102a	FOOD	H.M.	M1-B	1-3/4"	4'-0"	7'-0"	H.M.	2F	1 & 2/A3.1	1/A3.1	3/A3.1	-	2	A 4 B
200a	VESTIBULE	ALUM.	A4	-	-	-	A4	-	-	-	-	-	3	STANLEY DURAGLIDE 2000 SERIES -REF. 08300 SPEC. SECTION
200b	VESTIBULE	ALUM.	A2	1-3/4"	6'-0"	7'-0"	ALUM.	(K)	-	-	-	-	6	C 4 D
203a	SEATING	H.M.	M2	1-3/4"	3'-0"	7'-0"	H.M.	3F	1/A3.1	1/A3.1	3/A3.1	60-MIN	7	LEVEL 4, 14 GAUGE DOOR
206a	SHELTER	H.M.	M1	1-3/4"	3'-0"	7'-0"	H.M.	2F	-	-	-	-	8	LEVEL 4, 14 GAUGE DOOR
212a	SHOWER	H.M.	M1	1-3/4"	3'-0"	7'-0"	H.M.	1F	-	-	-	-	13	-
213a	SHOWER	H.M.	M1	1-3/4"	3'-0"	7'-0"	H.M.	1F	-	-	-	-	13	-
214a	JANITOR	H.M.	M1	1-3/4"	3'-0"	7'-0"	H.M.	1F	-	-	-	-	4	-
216a	STOCKRM	H.M.	M1	1-3/4"	3'-0"	7'-0"	ALUM.	1F	-	-	-	-	10	-
216b	STOCKRM	H.M.	M1	1-3/4"	4'-0"	7'-0"	H.M.	2F	1 & 2/A3.1	1/A3.1	3/A3.1	-	4	-
220a	BEV SPRT	H.M.	M1	1-3/4"	3'-0"	7'-0"	H.M.	1F	-	-	-	-	12	-
221a	VESTIBULE	ALUM.	A1	1-3/4"	3'-0"	7'-0"	H.M.	(M)	-	-	-	-	6	-
221b	VESTIBULE	ALUM.	A1	1-3/4"	3'-0"	7'-0"	H.M.	(D)	1 & 2/A3.1	1/A3.1	3/A3.1	-	5	C 4 D
301a	MEZZANINE	H.M.	M1	1-3/4"	4'-0"	7'-0"	H.M.	1F	1 & 2/A3.1	1/A3.1	3/A3.1	-	14	-

NOTES: ALL HARDWARE TO BE REVIEWED AND APPROVED BY OWNER PRIOR TO ORDERING.

DOOR SCHEDULE NOTES:
 A. G.C. TO REFER TO MOKAS DWG. SHEET A1.2 - FOR REFERENCE ONLY FOR HARDWARE AND DOOR SPECIFICATIONS.
 B. G.C. TO REFER TO MOKAS DWG. SHEET A1.2 - FOR ADD REQUIREMENTS TO DOOR FINISHES AND HARDWARE ADDED TO THE REAR DOOR.
 C. ELECTROMAGNETIC LOCK WITH MOTION SENSOR EXIT DEVICE AND BACKUP EMERGENCY PUSH BUTTON WITHIN VESTIBULE REFER TO HARDWARE SECTION IN SPECIFICATIONS.
 D. WEATHERSTRIPPING BY ALUMINUM DOOR SUPPLIER.

ELECTROMAGNETIC LOCK WITH MOTION SENSOR EXIT DEVICE AND BACKUP EMERGENCY PUSH BUTTON WITHIN VESTIBULE REFER TO HARDWARE SECTION IN SPECIFICATIONS.

WEATHERSTRIPPING BY ALUMINUM DOOR SUPPLIER



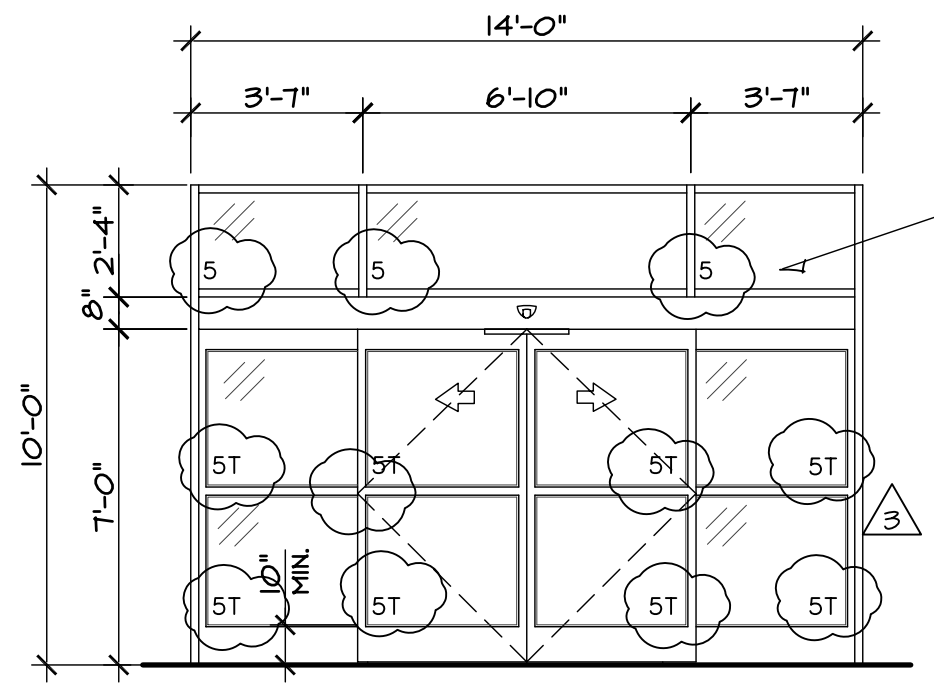
M1 H.M. 1 3/4" THICK GALVANIZED HOLLOW METAL PRIMER & PAINT

M2 H.M. 1 3/4" THICK GALVANIZED HOLLOW METAL PRIMER & PAINT FABRICATE TO MATCH "WIDE STILE" ALUMINUM DOOR

A1 ENTRANCE DOOR ALUMINUM ENTRANCE WIDE STILE 1-3/4" THICK TEMP. GLASS

A2 ENTRANCE DOOR ALUM WIDE STYLE WIDE STILE 1 3/4" THICK TEMP. GLASS

A3 OFFICE DOOR SOLID CORE HPL FINISH: REFERENCE DECOR SHEETS

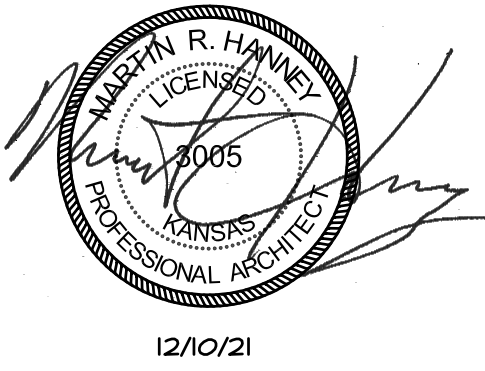


NOTE: TRANSOM WINDOW INDICATED SHALL BE INCLUDED AS PART OF THE DOOR PURCHASE, FROM THE MANUFACTURER. GLAZING ON DOOR AND WINDOW SHALL MATCH ADJACENT EXTERIOR GLAZING ASSEMBLIES

A4 STANLEY DURA-GLIDE 2000 SERIES 168" PACKAGE WIDTH 72.3" NOMINAL CLEAR DOOR OPENING 42.3" DOOR PANEL NOMINAL WIDTH 79.8" EMERGENCY BREAKOUT NOMINAL WIDTH ANODIZED CLEAR CL2 FINISH 10" BOTTOM RAIL PAIR WITH FLOWING AIR CURTAIN BERNER ARCHITECTURAL HIGH PERFORMANCE 10 "AHD10-2072E" AND BELUX CONTROL PACKAGE, 24-VOLT CONTROL "91-STR-120-DA-M-24"

CONTRACTOR TO ENSURE PROPER PERFORMANCE IS ACHIEVED WITH ABOVE SPECIFIED DAIR CURTAIN AND ELECTRICAL SERVICE PROVIDED. COORDINATE WITH THE MANUFACTURER AND PROVIDE ALL COMPONENTS AND ACCESSORIES NEEDED FOR FULL FUNCTIONALITY. PREP. FOR SURFACE MOUNT APPLICATION

NOTE: ALL METAL DOORS WITHIN THE 24/7 SPACE SHALL HAVE A KEYLESS ENTRY, DOOR CLOSER, DOOR STOP, AND STAINLESS STEEL BUMPER PANELS INSTALLED FROM THE BOTTOM OF THE DOOR HANDLE TO FINISHED FLOOR. THE FAMILY RESTROOM DOES NOT REQUIRE A KEYLESS ENTRY.



HANNEY & ASSOCIATES, ARCHITECTS
 1726 South Hillside, Wichita, Kansas, 67211
 Phone (316) 683-8865
 Fax (316) 684-1441
 www.haarhitects.com

2021 TRAVEL STORE
 24-7 TRAVEL STORE
 1980 S. Range Ave.
 Colby, Kansas

DRAWINGS ISSUED		
NO.	DATE	ITEM ISSUED
8	01/13/22	ADDENDUM #3
7	01/16/22	ADDENDUM #2
6	12/10/21	BID SET
5	11/05/21	FINAL PROGRESS
4	10/06/21	PROGRESS SET
3	9/17/21	PROGRESS SET
2	6/17/21	PROGRESS SET
1	4/27/21	START DATE

COMPUTER DRAWING
 C_ASOLDWG

DATE: APRIL, 2021
 DRAWN BY: BS, JC, TH
 CHECKED BY: MH

SHEET
 A3.1
 OF SHEETS