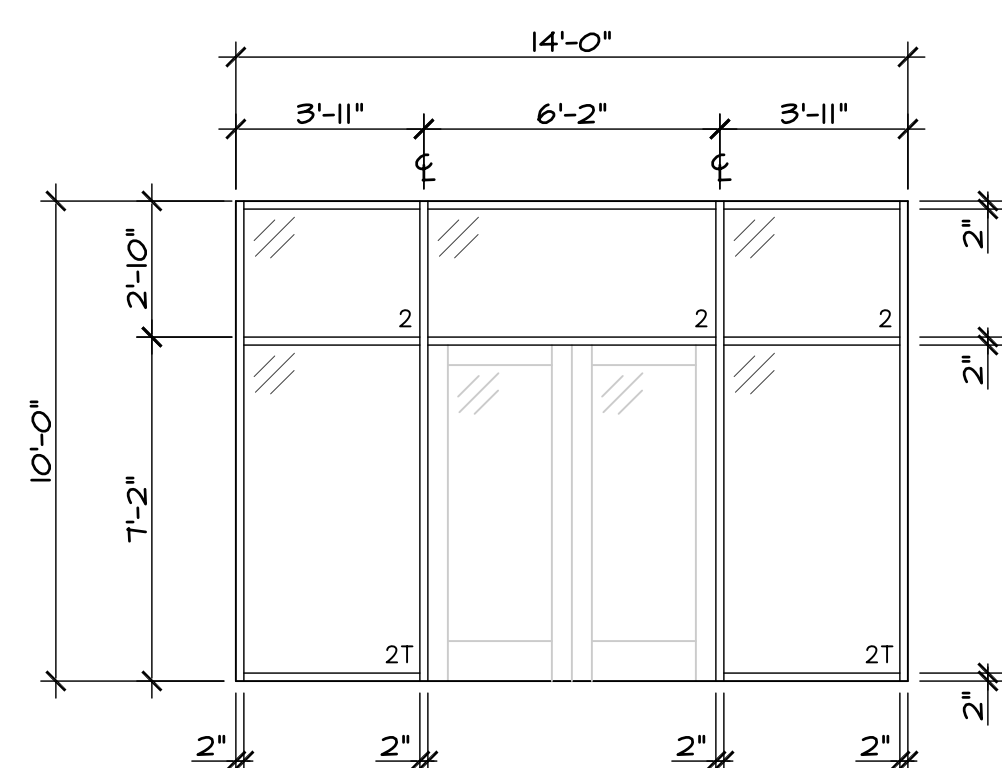
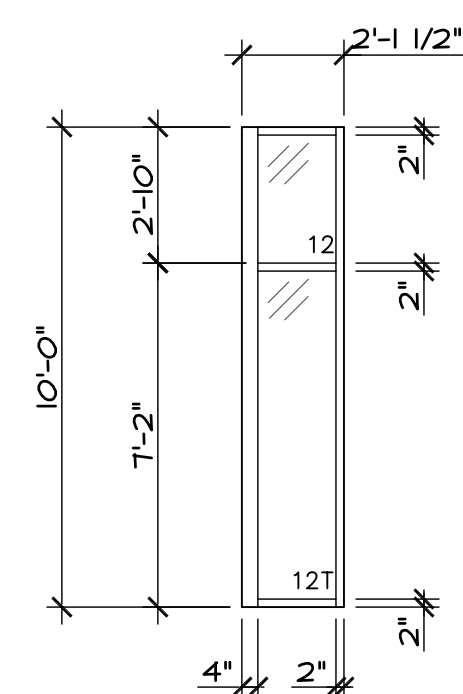


ALUMINUM FRAME TYPES



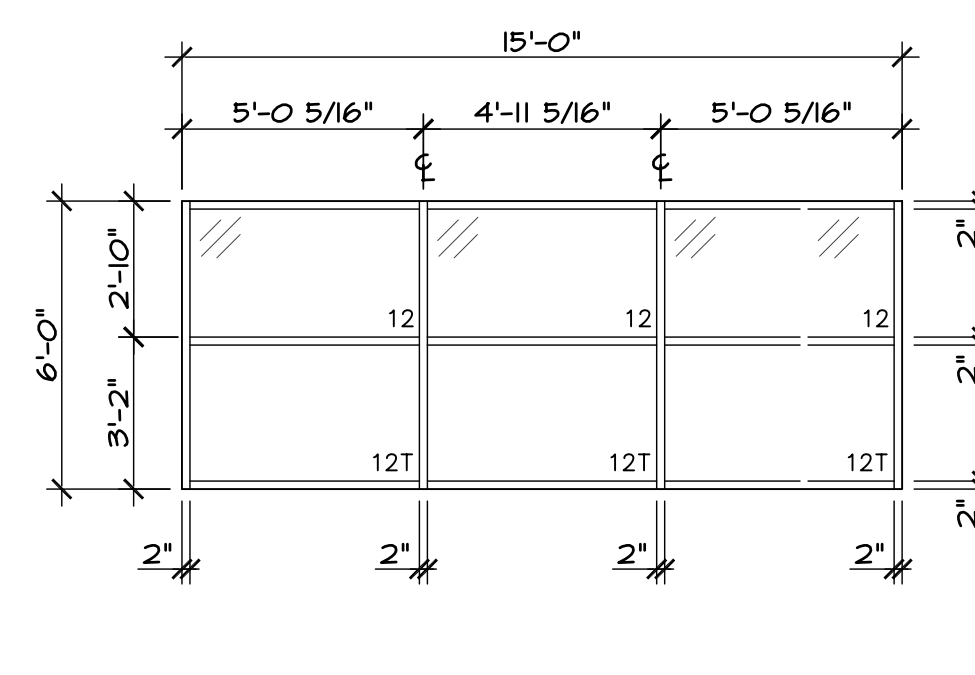
A KAWNEER 45I SERIES STOREFRONT WITH 1/4" GLAZING ADAPTER NOT THERMALLY BROKEN CLEAR ANODIZED FINISH



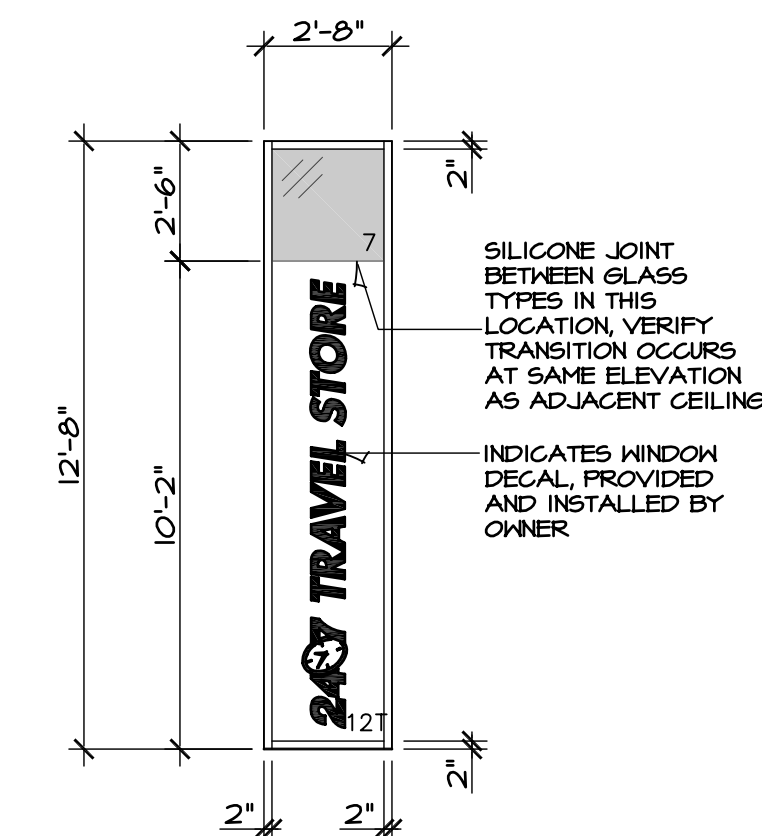
B KAWNEER 45I-T SERIES STOREFRONT THERMALLY BROKEN CLEAR ANODIZED FINISH

C NOT USED

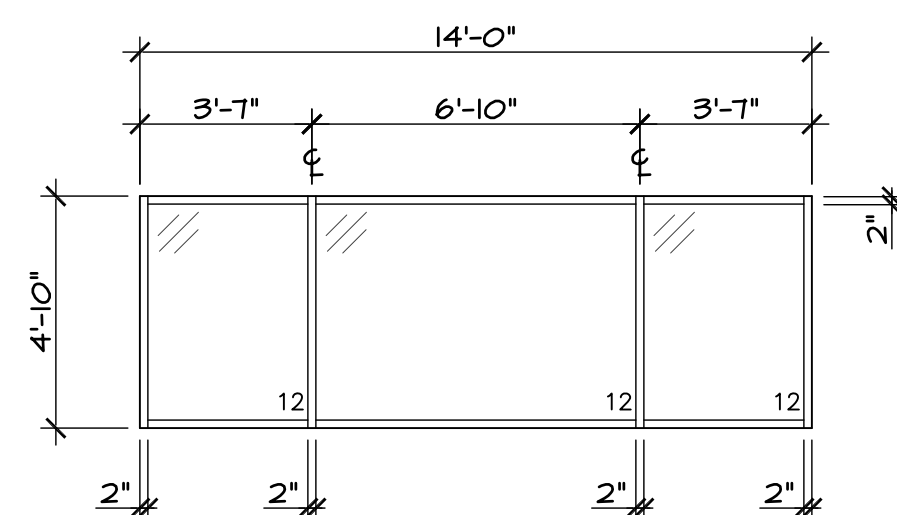
D NOT USED



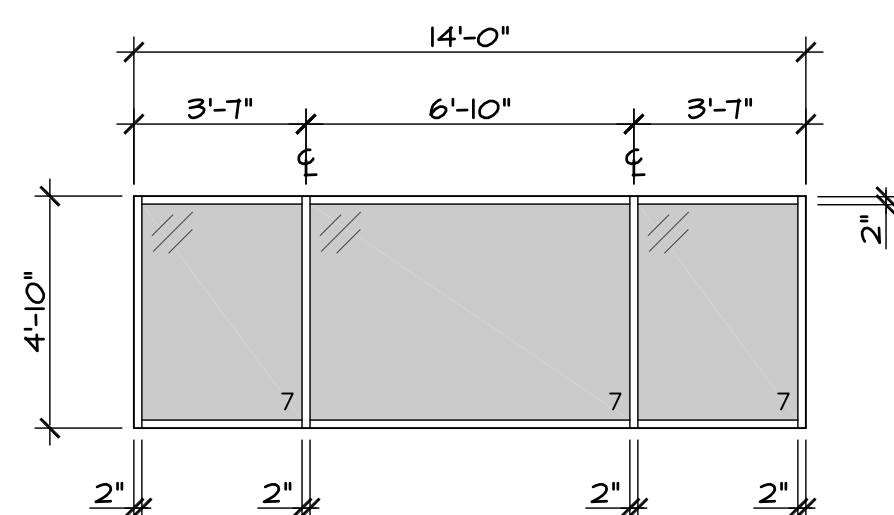
E KAWNEER 45I-T SERIES STOREFRONT THERMALLY BROKEN CLEAR ANODIZED FINISH



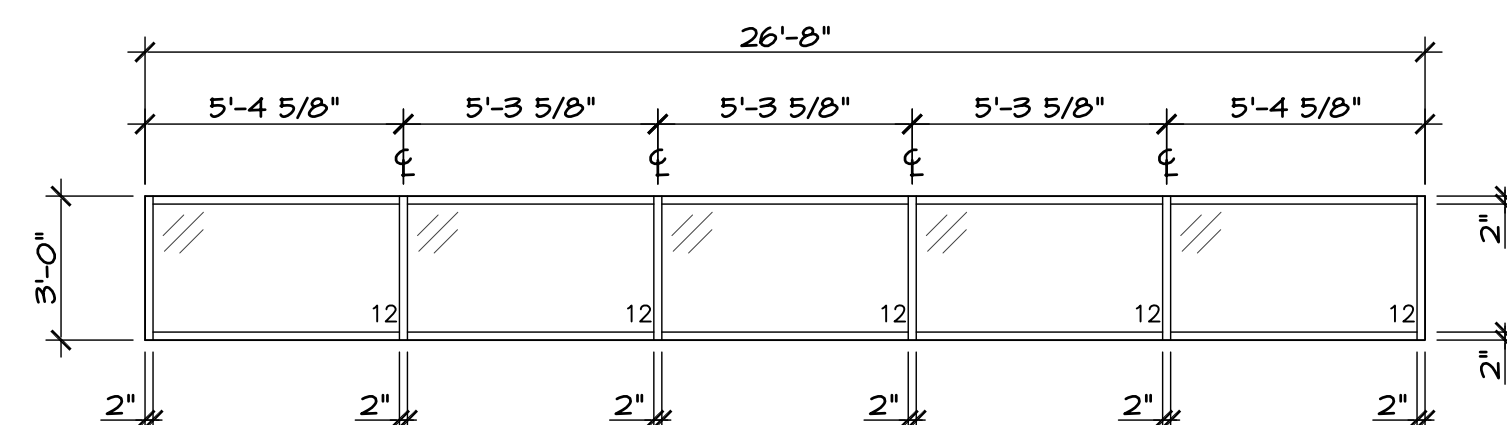
F KAWNEER 45I-T SERIES STOREFRONT THERMALLY BROKEN CLEAR ANODIZED FINISH



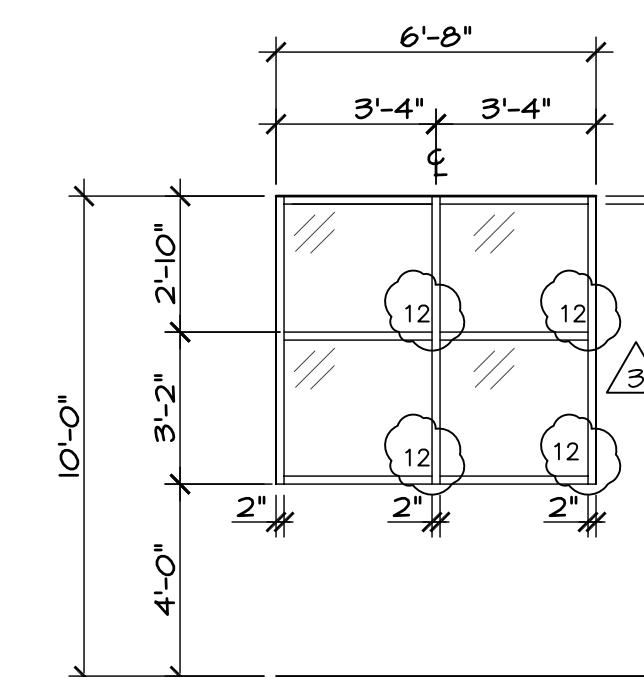
G KAWNEER 45I-T SERIES STOREFRONT THERMALLY BROKEN CLEAR ANODIZED FINISH



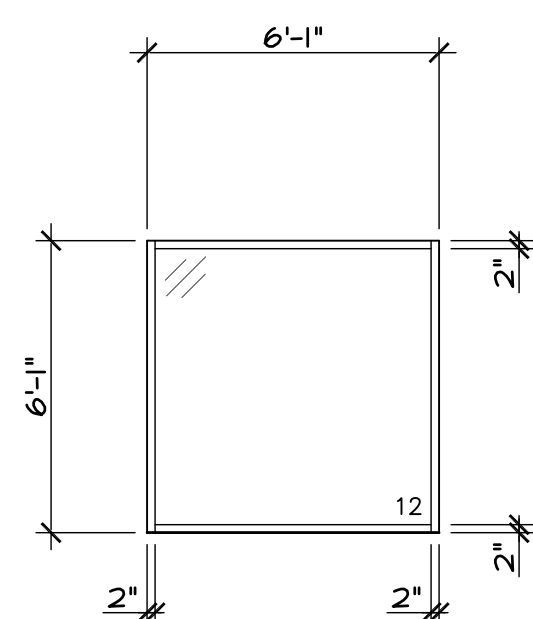
G' KAWNEER 45I-T SERIES STOREFRONT THERMALLY BROKEN CLEAR ANODIZED FINISH



H KAWNEER 45I-T SERIES STOREFRONT THERMALLY BROKEN CLEAR ANODIZED FINISH



J KAWNEER 45I-T SERIES STOREFRONT THERMALLY BROKEN CLEAR ANODIZED FINISH

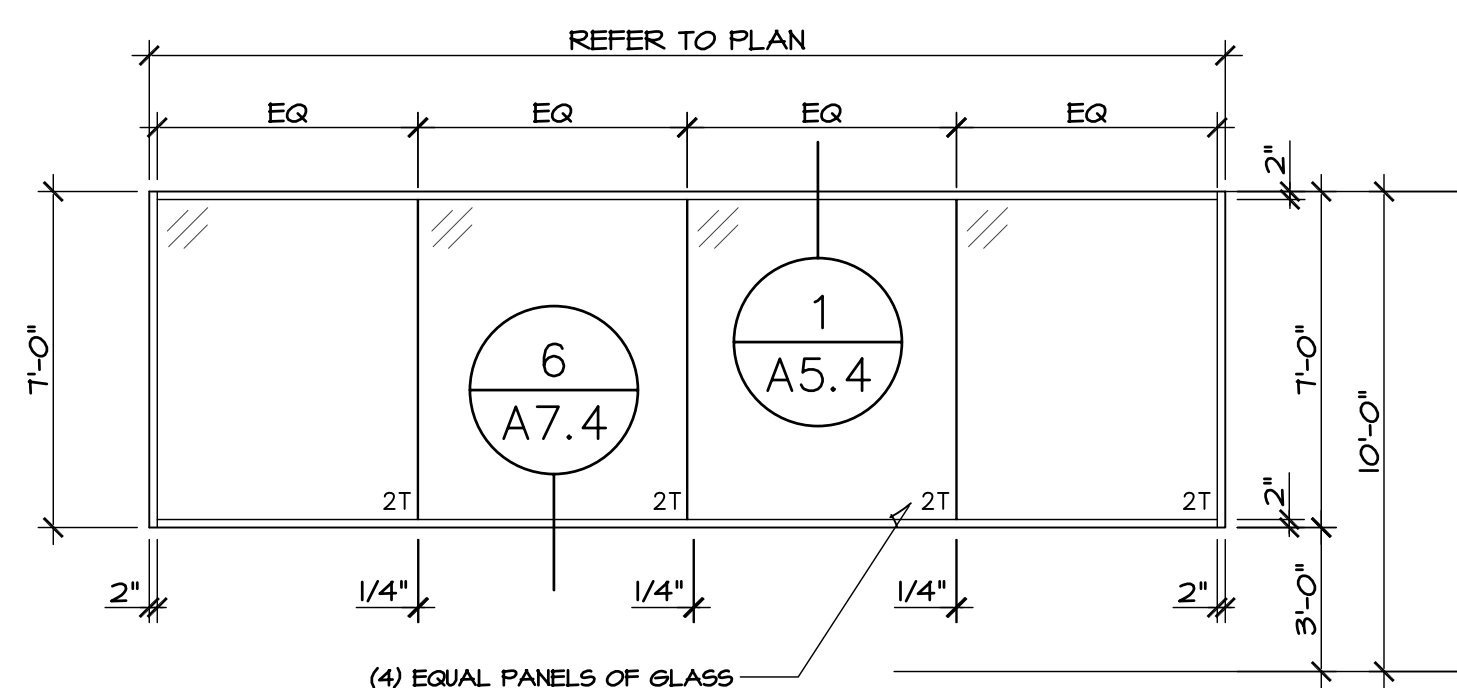


K NOT USED



L KAWNEER 45I-T SERIES STOREFRONT THERMALLY BROKEN CLEAR ANODIZED FINISH

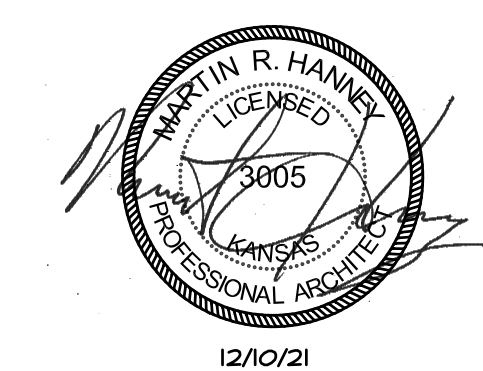
M NOT USED



N KAWNEER 45I SERIES STOREFRONT WITH 1/4" GLAZING ADAPTER NOT THERMALLY BROKEN CLEAR ANODIZED FINISH

NOTE:
ALL EXTERIOR WINDOWS SHALL HAVE SUB-SILL FLASHING WITH END DAMS. THE FLASHING MUST BE INSPECTED AND APPROVED BY THE ARCHITECT BEFORE THE WINDOWS ARE IN. ANY WINDOWS INSTALLED WITHOUT THE INSPECTION AND APPROVAL, SAME BE REMOVED FOR INSPECTION.

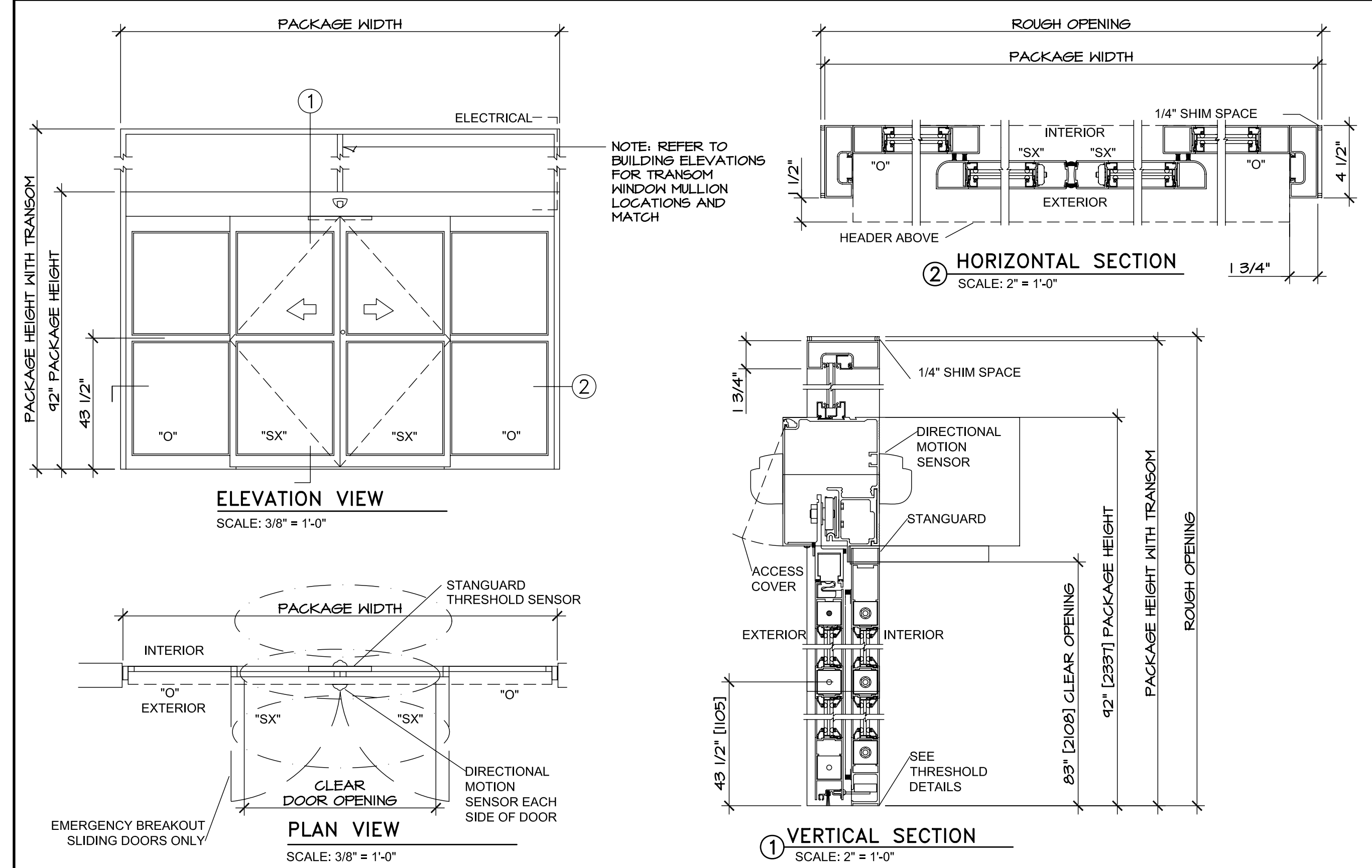
THE CLEAR STOREY WINDOW SHALL BE WATER TESTED PRIOR TO PROJECT COMPLETION. ANY LEAKS SHALL BE IDENTIFIED AND CORRECTED WITHOUT THE APPLICATION OF SURFACE APPLIED SEALANTS.



HANNEY & ASSOCIATES, ARCHITECTS
1726 South Hillside, Wichita, Kansas, 67211
Phone (316) 883-8885
Fax (316) 884-1441
www.hanncor.com

2021
24-7 TRAVEL STORE
1415 S. Fossil St.
Russell, Kansas 67665

AUTOMATIC DOOR DETAILS



- NOTES
- ELECTRICAL REQUIREMENTS: 120 VAC, 5 AMP MIN TO POWER OPERATOR BY ELECTRICAL CONTRACTOR.
 - ROUGH OPENING SHALL PROVIDE 1/4" SHIM SPACE ON SIDES AND TOP OF PACKAGE.
 - LIMITS OF ACTIVATION AND SAFETY ZONES ARE FOR REFERENCE ONLY; SEE ANSIBR/MA A156.10 FOR DETAILED REQUIREMENTS.
 - STANDARD LOCKING IS 2-POINT, 3-POINT AND ACCESS CONTROL SYSTEMS AVAILABLE. SEE SHEET 1.60.
 - STANDARD GLAZING STOPS FOR SLIDING AND FIXED PANELS ARE 1/4" (6); 5/8" (16) AND 1" (25) AVAILABLE.
 - STANDARD JAMB TUBES SHOWN; ST153 AVAILABLE.
 - STANDARD STILES, BOTTOM RAILS AND MUNTINS SHOWN; MEDIUM STILES, BOTTOM RAILS TO 12" (305), AND 4 1/4" (108) MUNTINS AVAILABLE.
 - SEE SPECIFICATIONS FOR ADDITIONAL INFORMATION.

DURA-GLIDE
2000
SERIES

BIPART FORMULAS - NARROW STILE
PACKAGE WIDTH + 2 X CLEAR DOOR OPENING + 23/4"
CLEAR DOOR OPENING + 12 PACKAGE WIDTH + 11 7/8"
EMERGENCY BREAKOUT WIDTH + CLEAR DOOR OPENING + 7 3/4"
DOOR PANEL WIDTH + 1/4 PACKAGE WIDTH + 0.0"

BIPART FORMULAS - MEDIUM STILE
PACKAGE WIDTH + 2 X CLEAR DOOR OPENING + 32.1"
CLEAR DOOR OPENING + 12 PACKAGE WIDTH + 16.0"
EMERGENCY BREAKOUT WIDTH + CLEAR DOOR OPENING + 10.3"
DOOR PANEL WIDTH + 1/4 PACKAGE WIDTH + 1.1"

BIPART WITH OPTIONAL TRANSOM

DRAWINGS ISSUED		
NO.	DATE	ITEM ISSUED
4	01/13/22	ADDENDUM 3
8	12/10/21	BID SET
7	11/10/21	REVISIONS
6	9/10/21	CONSTRUCTION SET
5	8/20/21	FINAL REVIEW
4	8/10/21	CHECK SET
3	7/16/21	COORDINATION SET
2	6/17/21	CHECK SET
1	4/27/21	START DATE

COMPUTER DRAWING
RS_A302.DWG

DATE: APRIL 2021
DRAWN BY: CH, TH, MB, BS
CHECKED BY: MH

SHEET
A3.2
OF SHEETS