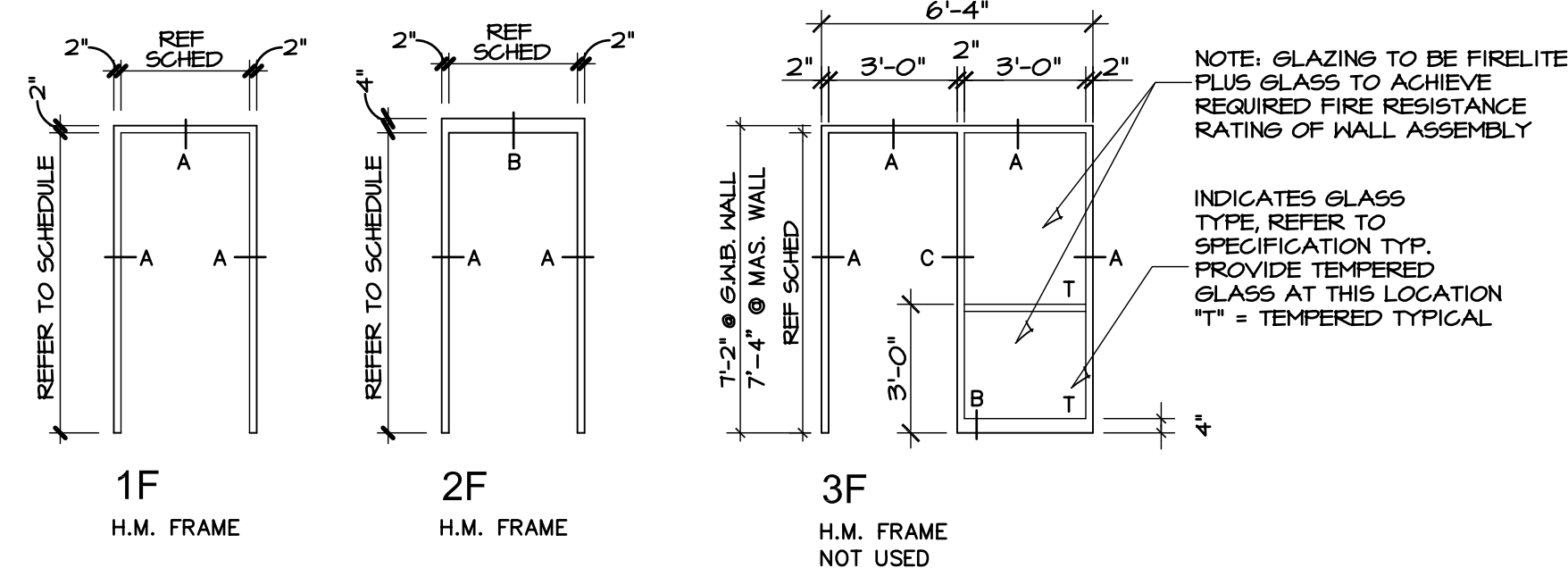
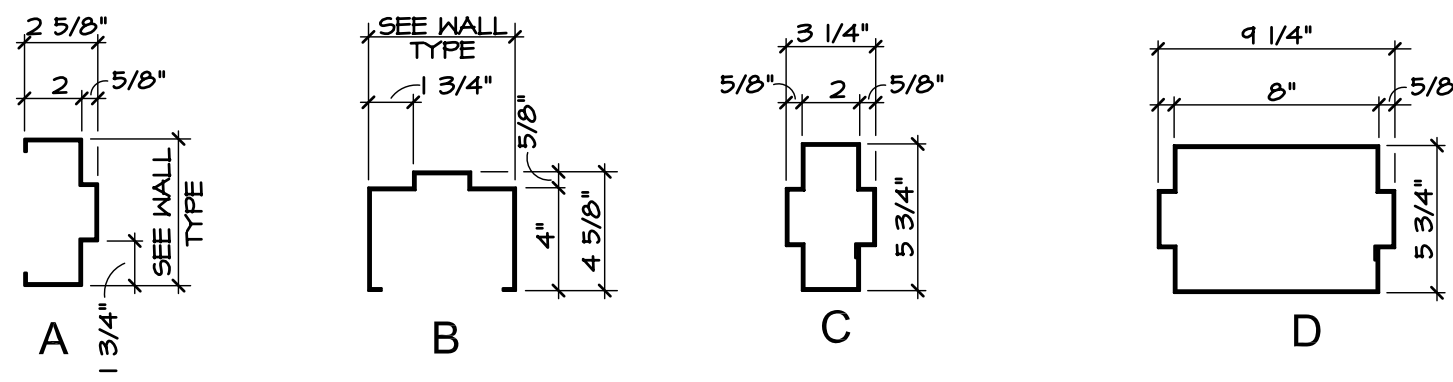


# HOLLOW METAL FRAME TYPES



# H.M. - FRAME PROFILES

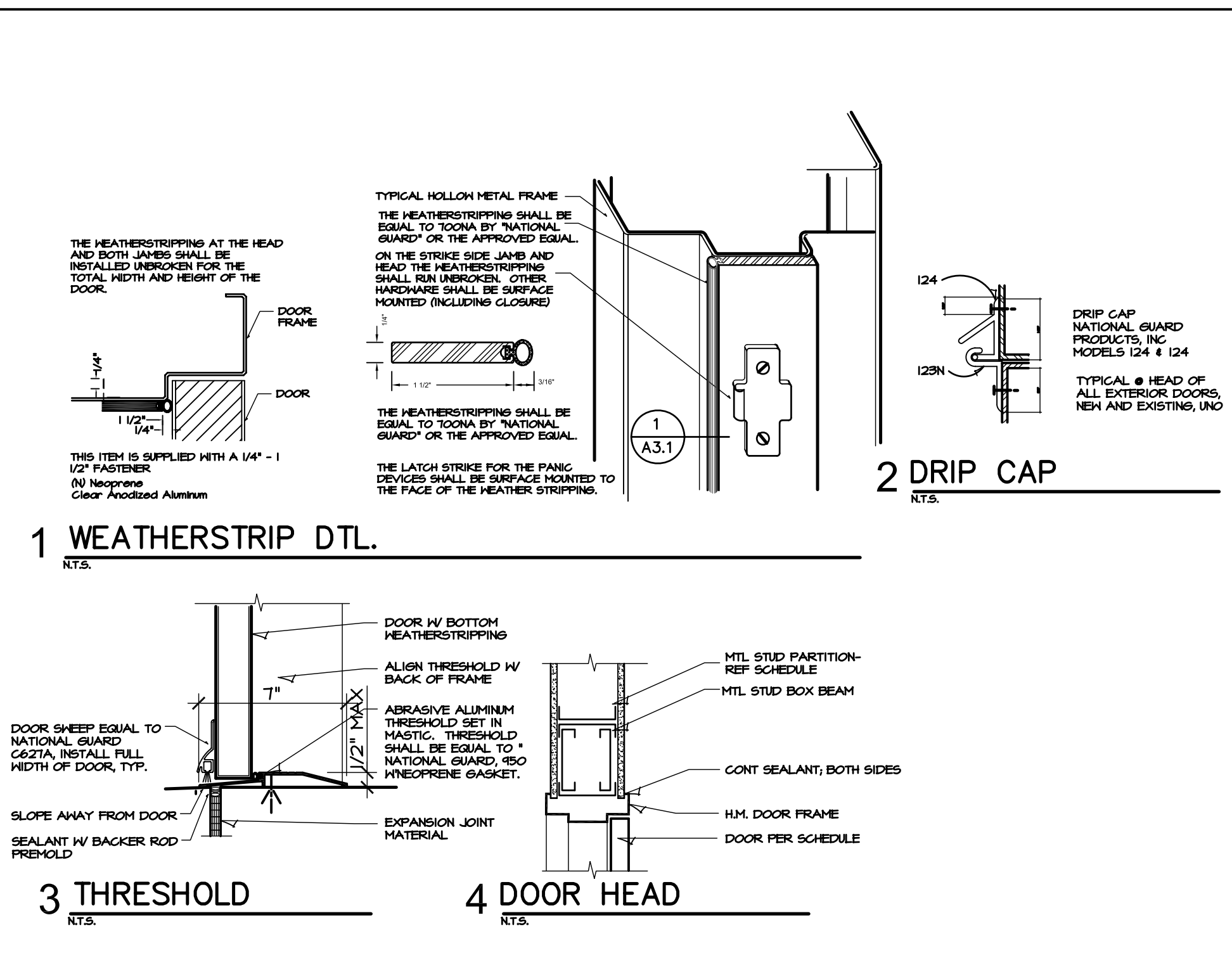


# DOOR SCHEDULE

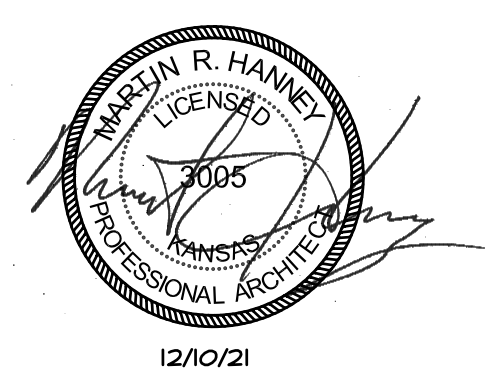
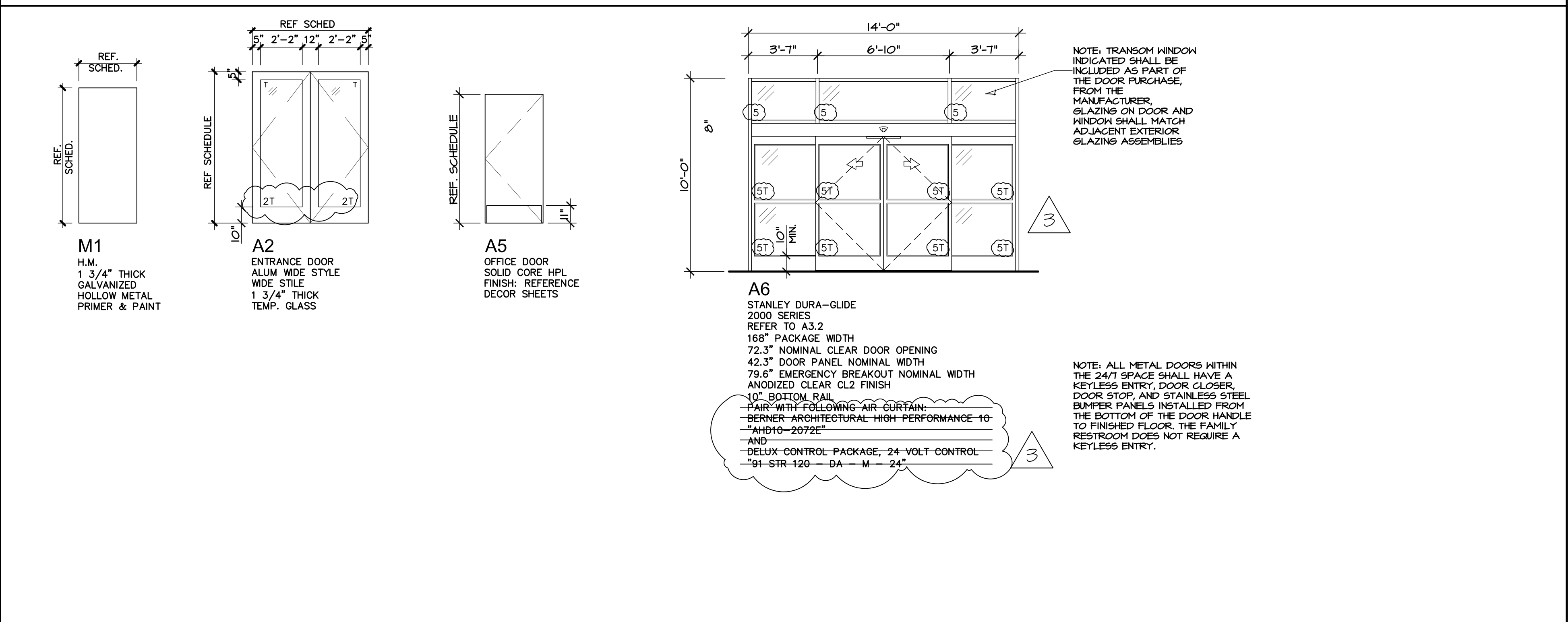
DOOR NO.	DOOR			FRAME			DOOR SILL	FIRE RATING (F.P.S.C.)	H.W. SET NO.	REMARKS			
	MAT'L	TYPE	THK.	WDTH	HEIGHT	MAT'L					TYPE	HEAD	JAMB
100a	-	A6	-	-	-	-	-	-	1	STANLEY DURAGLIDE 2000 SERIES			
100b	ALUM.	A2	1-3/4"	6'-0"	7'-0"	ALUM.	A	-	-	ELECTROMAGNETIC LOCK WITH MOTION SENSOR EXIT DEVICE AND BACKUP EMERGENCY PUSH BUTTON WITHIN VESTIBULE, REFER TO HARDWARE SECTION IN SPECIFICATIONS.			
103a	H.M.	MI	1-3/4"	3'-0"	7'-0"	H.M.	2F	-	-	6	LEVEL 4, 14 GAUGE DOOR		
109a	H.M.	MI	1-3/4"	3'-0"	7'-0"	H.M.	IF	-	-	8	-		
113a	H.M.	MI	1-3/4"	4'-0"	7'-0"	H.M.	2F	1 # 2/A3.1	1/A3.1	3/A3.1	3	-	
115a	H.M.	MI	1-3/4"	3'-0"	7'-0"	H.M.	IF	-	-	-	4	-	
116a	H.M.	MI	1-3/4"	3'-0"	7'-0"	H.M.	IF	-	-	-	10	-	
118a	HPL	A5	1-3/4"	3'-0"	7'-0"	H.M.	IF	-	-	-	11	-	
119a	HPL	A5	1-3/4"	3'-0"	7'-0"	H.M.	IF	-	-	-	11	-	
120a	HPL	A5	1-3/4"	3'-0"	7'-0"	H.M.	IF	-	-	-	11	-	
121a	-	A6	-	-	-	-	-	-	-	-	1	STANLEY DURAGLIDE 2000 SERIES	
121b	ALUM.	A2	1-3/4"	6'-0"	7'-0"	ALUM.	A	-	-	-	2	ELECTROMAGNETIC LOCK WITH MOTION SENSOR EXIT DEVICE AND BACKUP EMERGENCY PUSH BUTTON WITHIN VESTIBULE, REFER TO HARDWARE SECTION IN SPECIFICATIONS.	
301a	H.M.	MI	1-3/4"	3'-0"	7'-0"	H.M.	IF	12/A3.3	14/A3.3	15/A3.3	-	13	-
301b	H.M.	MI	1-3/4"	3'-0"	7'-0"	H.M.	IF	12/A3.3	14/A3.3	15/A3.3	-	13	-

NOTE: ALL HARDWARE TO BE REVIEWED AND APPROVED BY OWNER PRIOR TO ORDERING

# HARDWARE DETAILS



# DOOR TYPES



HANNEY & ASSOCIATES, ARCHITECTS  
1726 South Hillside, Wichita, Kansas, 67211  
Phone (316) 883-8865  
Fax (316) 684-1441  
www.haarchitects.com

**24/7 TRAVEL STORE**  
 2021  
 24-7 TRAVEL STORE  
 1415 S. Fossil St.  
 Russell, Kansas 67665

DRAWINGS ISSUED		
NO.	DATE	ITEM ISSUED
1	4/27/21	START DATE
2	6/17/21	CHECK SET
3	7/16/21	COORDINATION SET
4	8/06/21	CHECK SET
5	8/20/21	FINAL REVIEW
6	9/10/21	CONSTRUCTION SET
7	11/01/21	REVISIONS
8	12/10/21	BID SET
9	01/13/22	ADDENDUM 3

COMPUTER DRAWING  
RS\_A301.DWG

DATE: APRIL 2021  
DRAWN BY: CH, TH, MB, BS  
CHECKED BY: MH

SHEET  
**A3.1**  
OF SHEETS