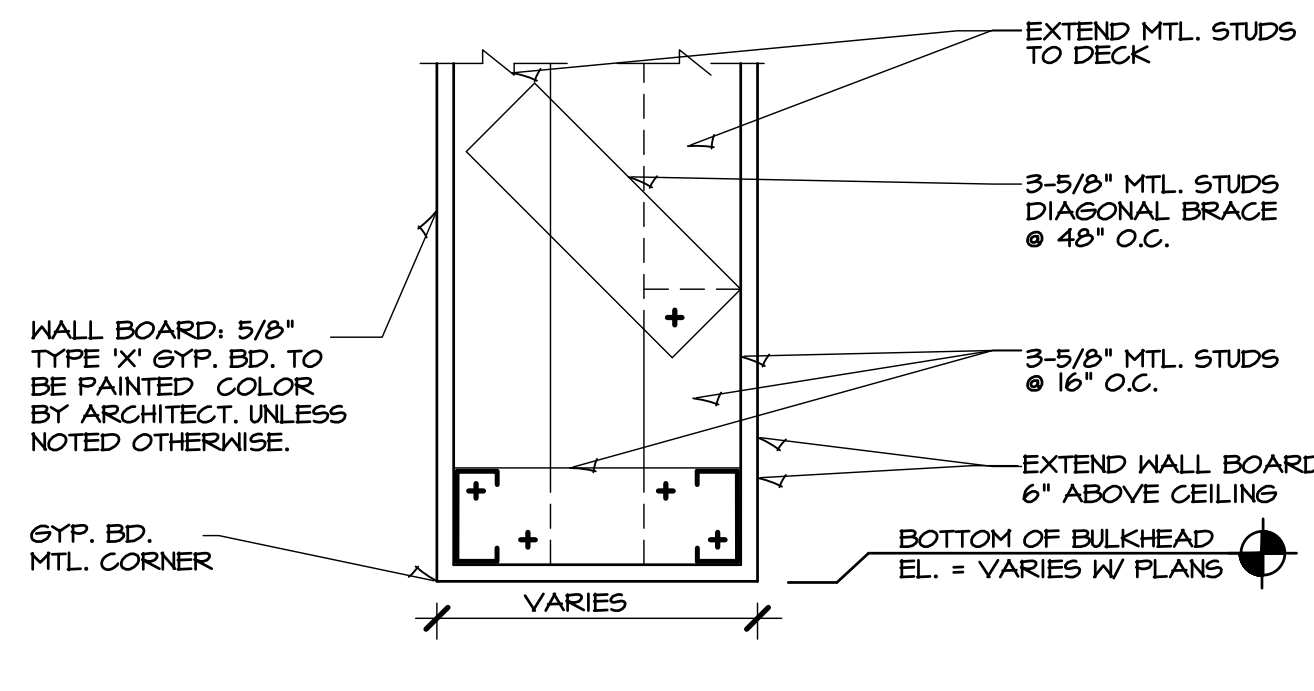
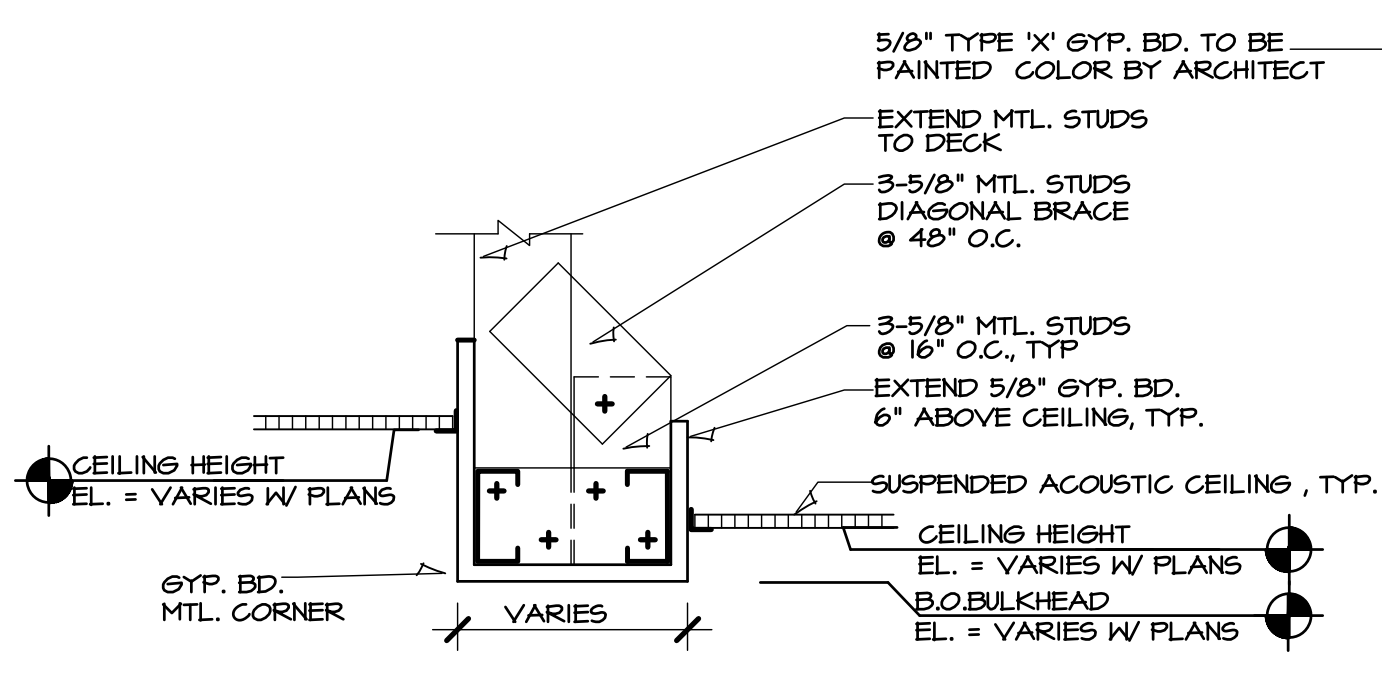


HANNEY & ASSOCIATES, ARCHITECTS
 1726 South Hillside, Wichita, Kansas, 67211
 Phone (316) 683-8965
 Fax (316) 684-1441
 www.haarchitects.com

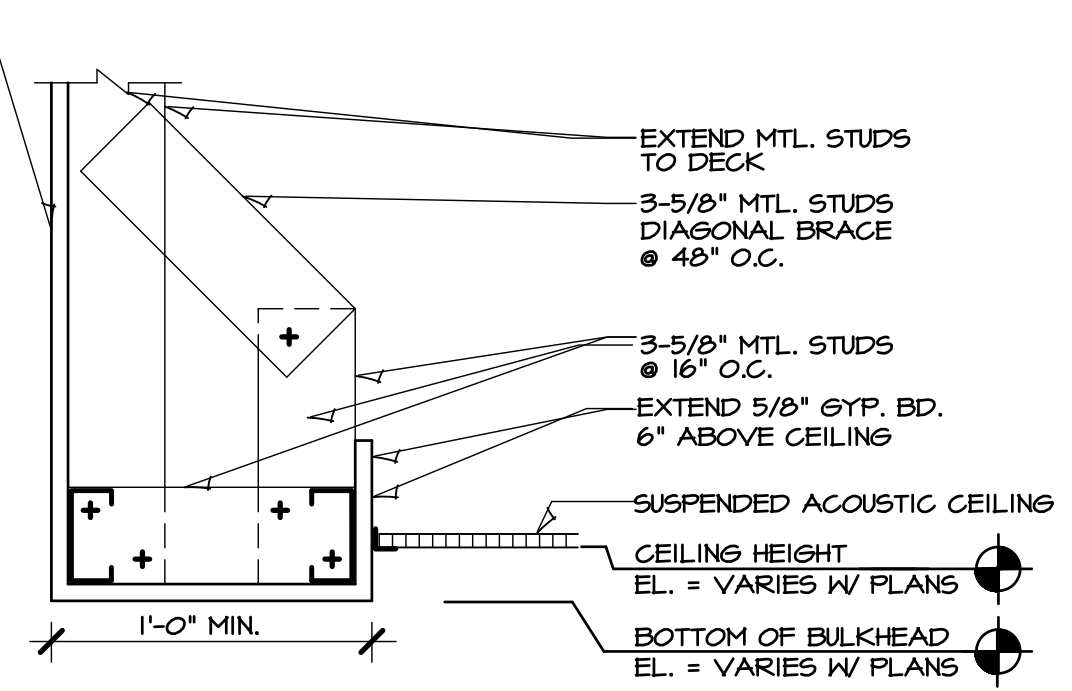
2021
UDALL HIGH SCHOOL
FEMA SHELTER ADDITION
UNIFIED SCHOOL DISTRICT #463



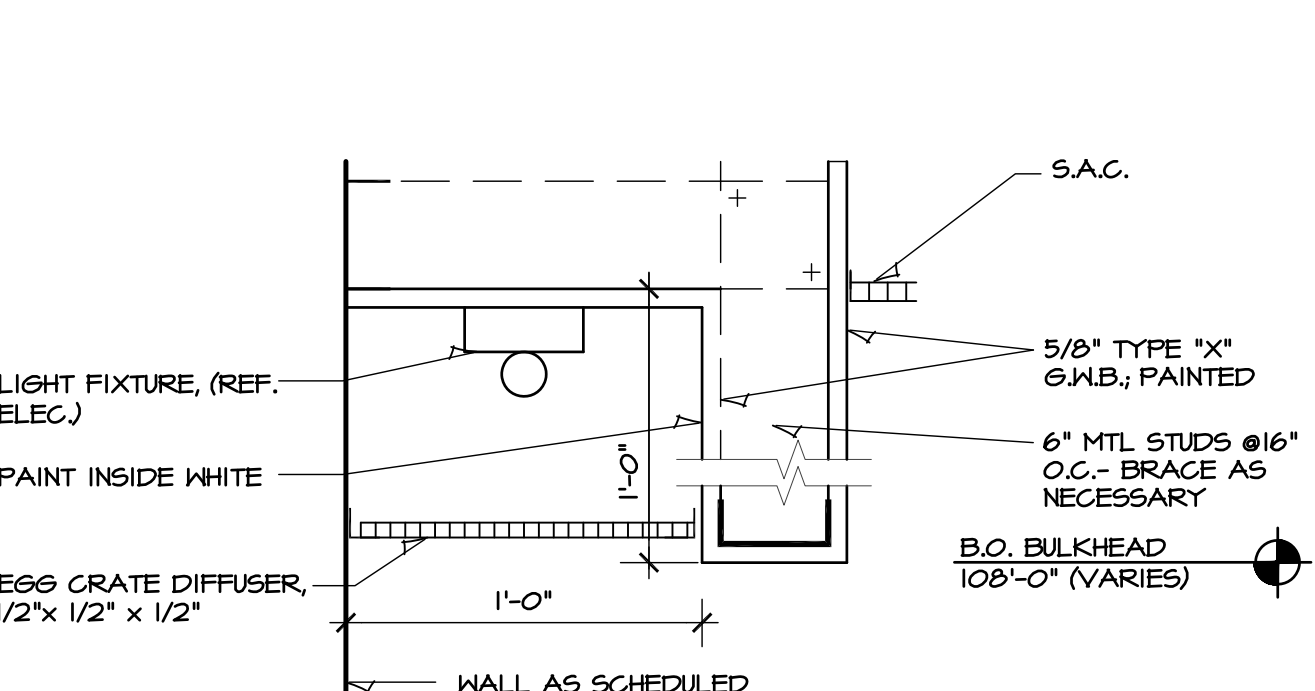
1 BULKHEAD DETAIL
 SCALE: N.T.S.



2 BULKHEAD DETAIL
 SCALE: N.T.S.



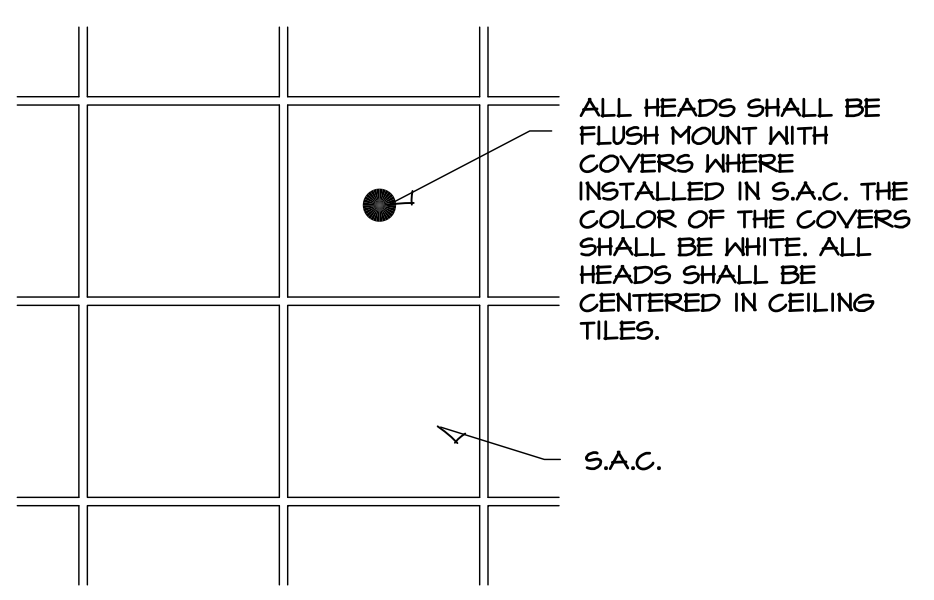
3 BULKHEAD DETAIL
 SCALE: N.T.S.



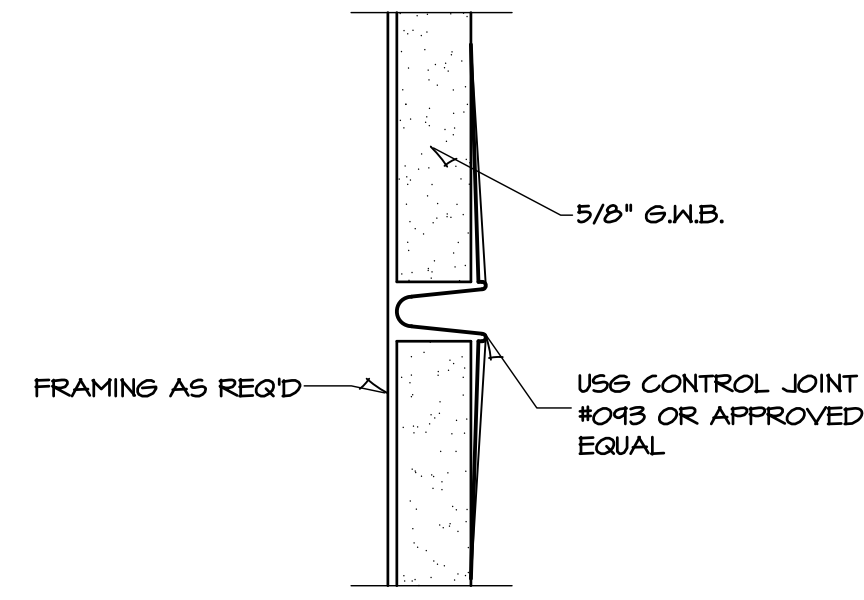
4 LIGHT COVE DETAIL
 SCALE: N.T.S.

BULKHEAD GENERAL NOTES

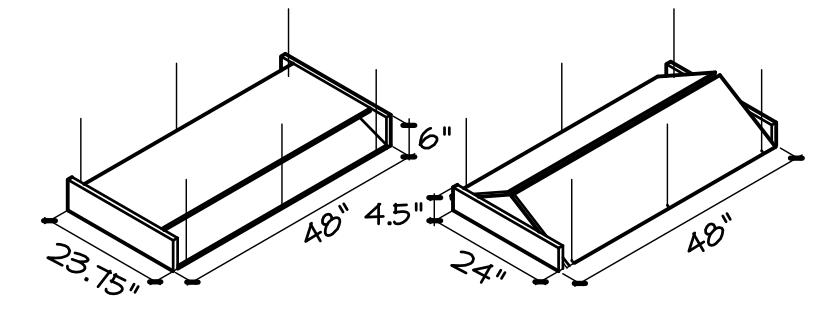
- PROVIDE AND INSTALL G.H.B. METAL EXPANSION JOINT, INSTALLED VERTICALLY AT THE ENDS OF ALL BULKHEADS, TYPICAL.
- CURVED BULKHEADS PROVIDE RADIAL TRACK AND 1/4\"/>



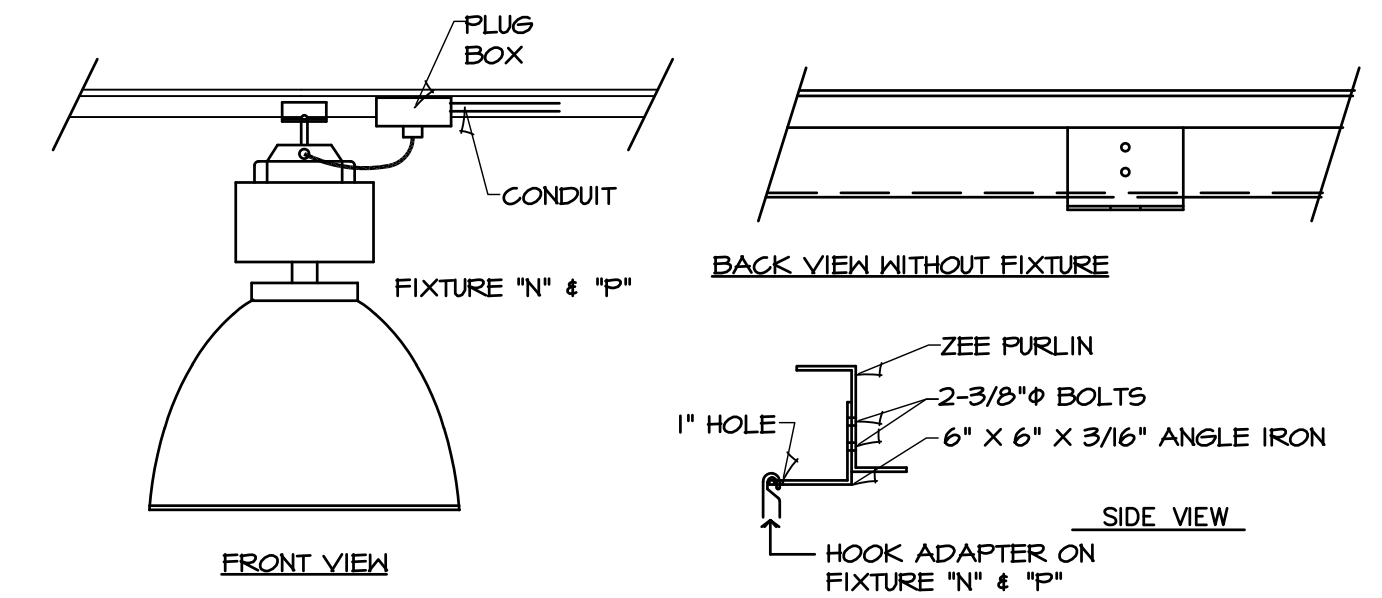
5 SPRINKLER HEAD DETAIL
 SCALE: N.T.S.



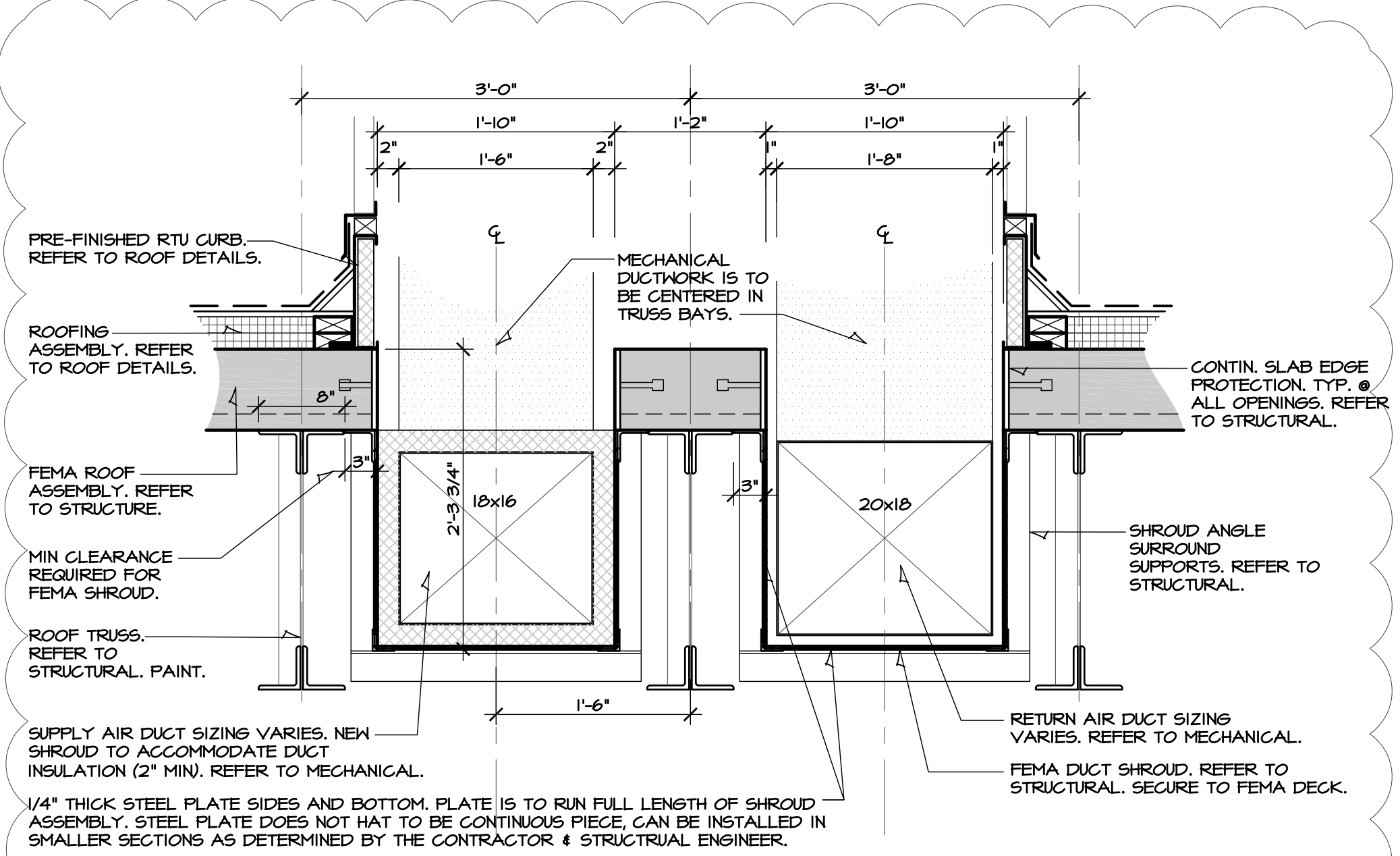
6 G.W.B. EXPANSION JOINT
 SCALE: N.T.S.



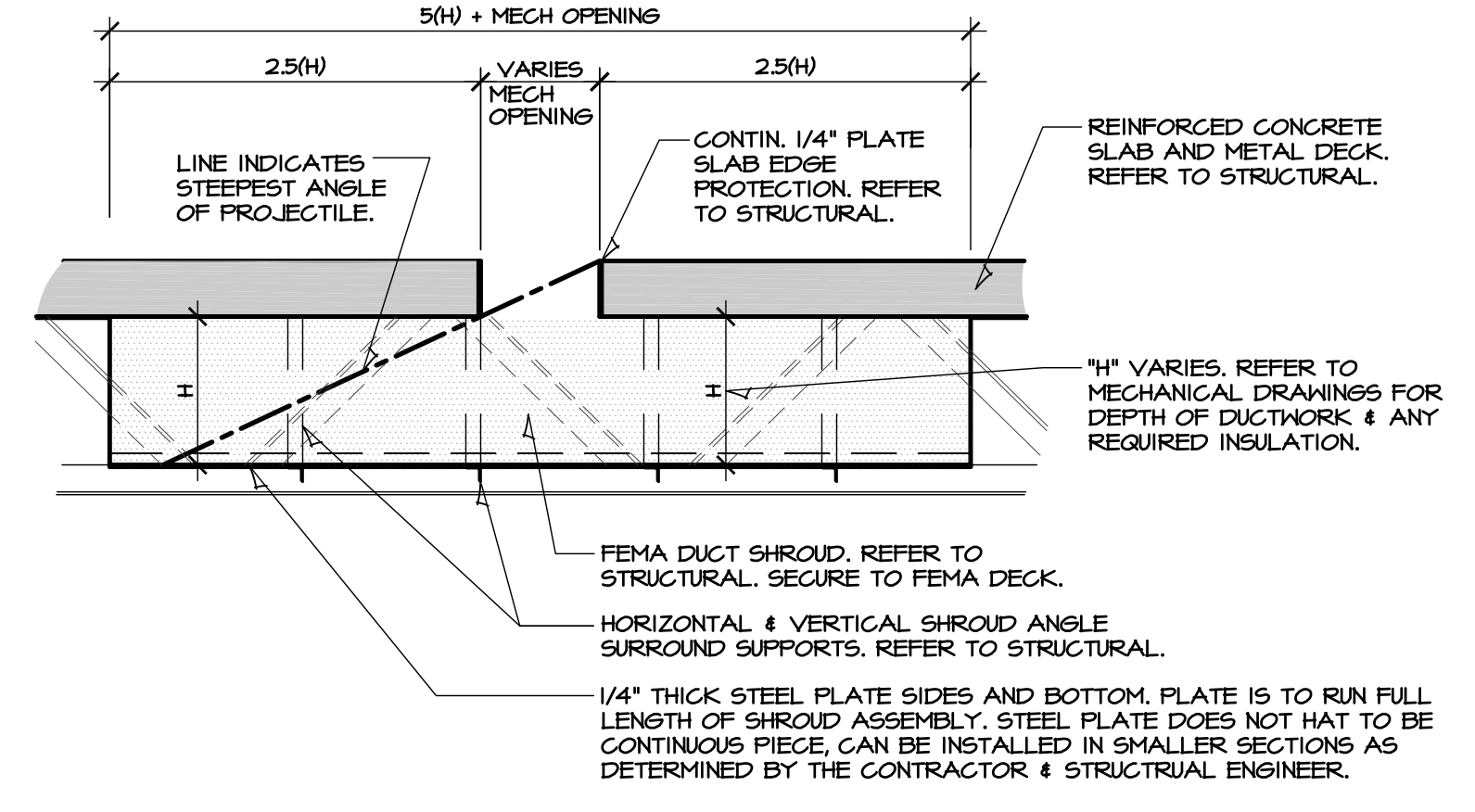
7 CEILING TENT DETAIL
 SCALE: N.T.S.



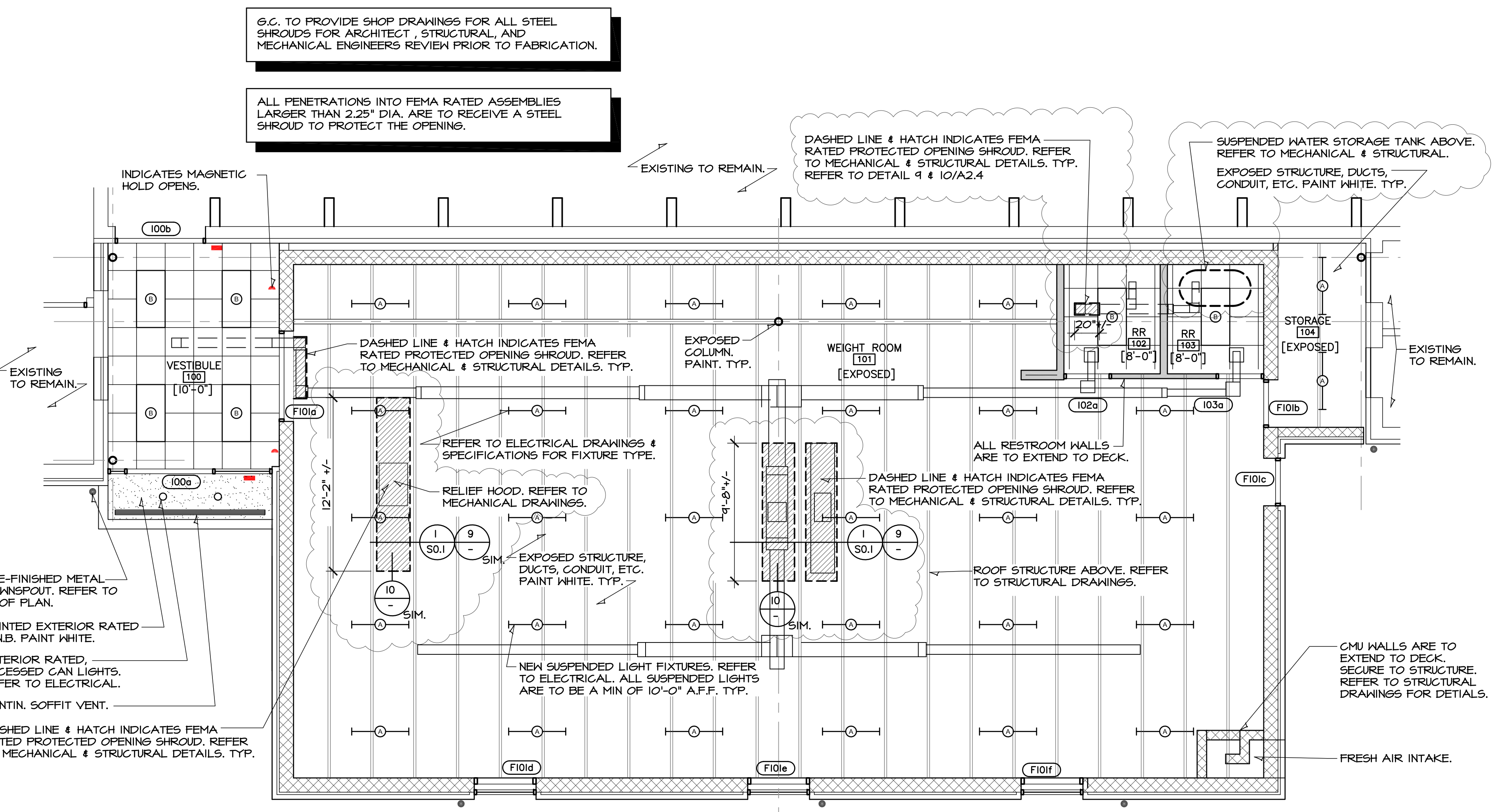
8 FITURE MOUNTING DETAIL
 SCALE: N.T.S.



9 FEMA DUCT SHROUD
 SCALE: 1" = 1'-0"



10 FEMA DUCT SHROUD
 SCALE: N.T.S.



FEMA ADDITION REFLECTED CEILING PLAN
 SCALE: 3/16" = 1'-0"

DRAWINGS ISSUED

NO.	DATE	ITEM ISSUED
8	2/26	ADDENDUM 2
7	1/25	ISSUED FOR BIDS
6	1/11	BOE REVIEW
5	11/24	BOE REVIEW
4	11/9	BOE REVIEW
3	10/26	REVIEW
2	10/16	REVIEW
1	10/08	REVIEW

COMPUTER DRAWING

DATE: OCTOBER 2020
 DRAWN BY: MH, CH
 CHECKED BY: MRH

SHEET

A2.4

OF 1 SHEETS