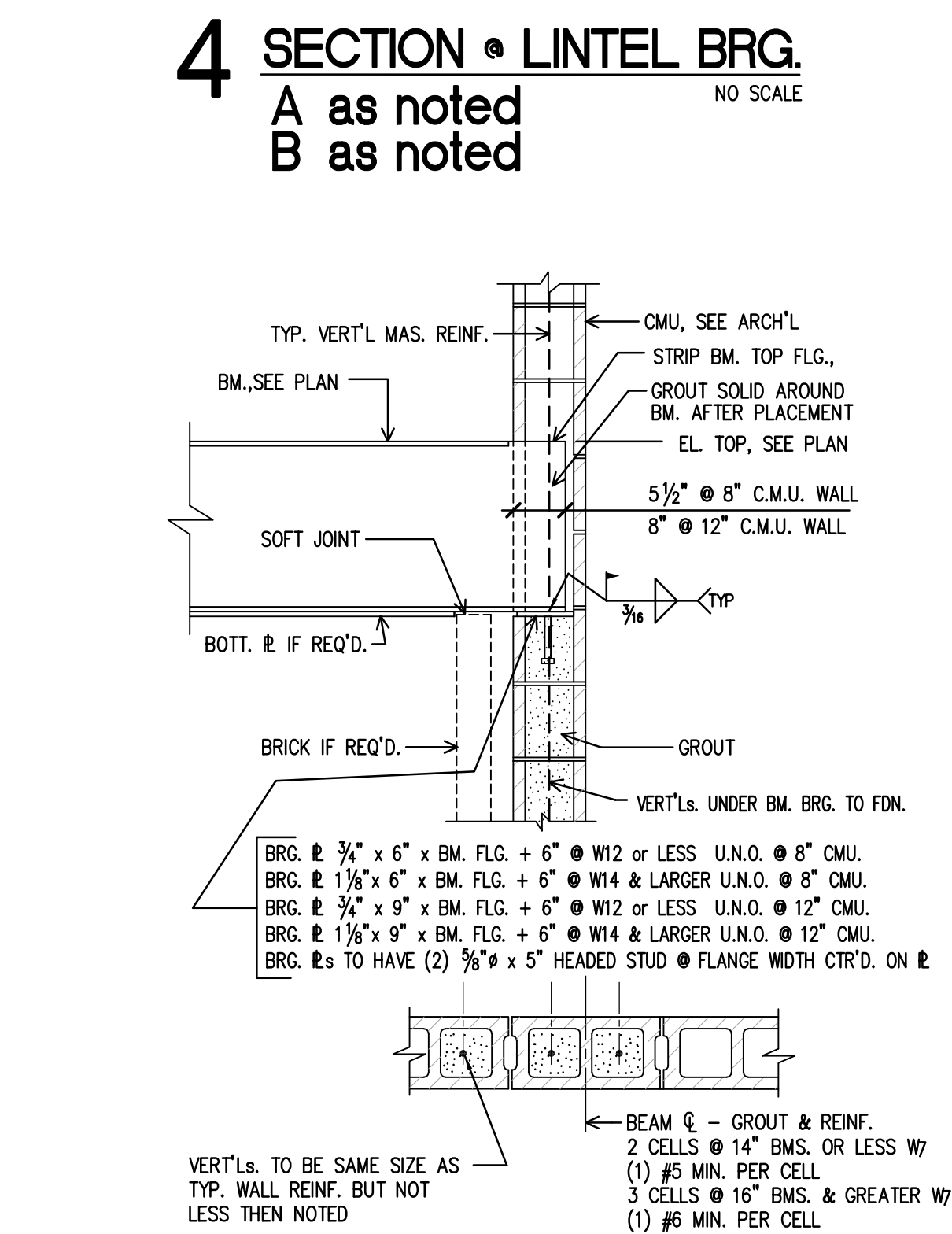
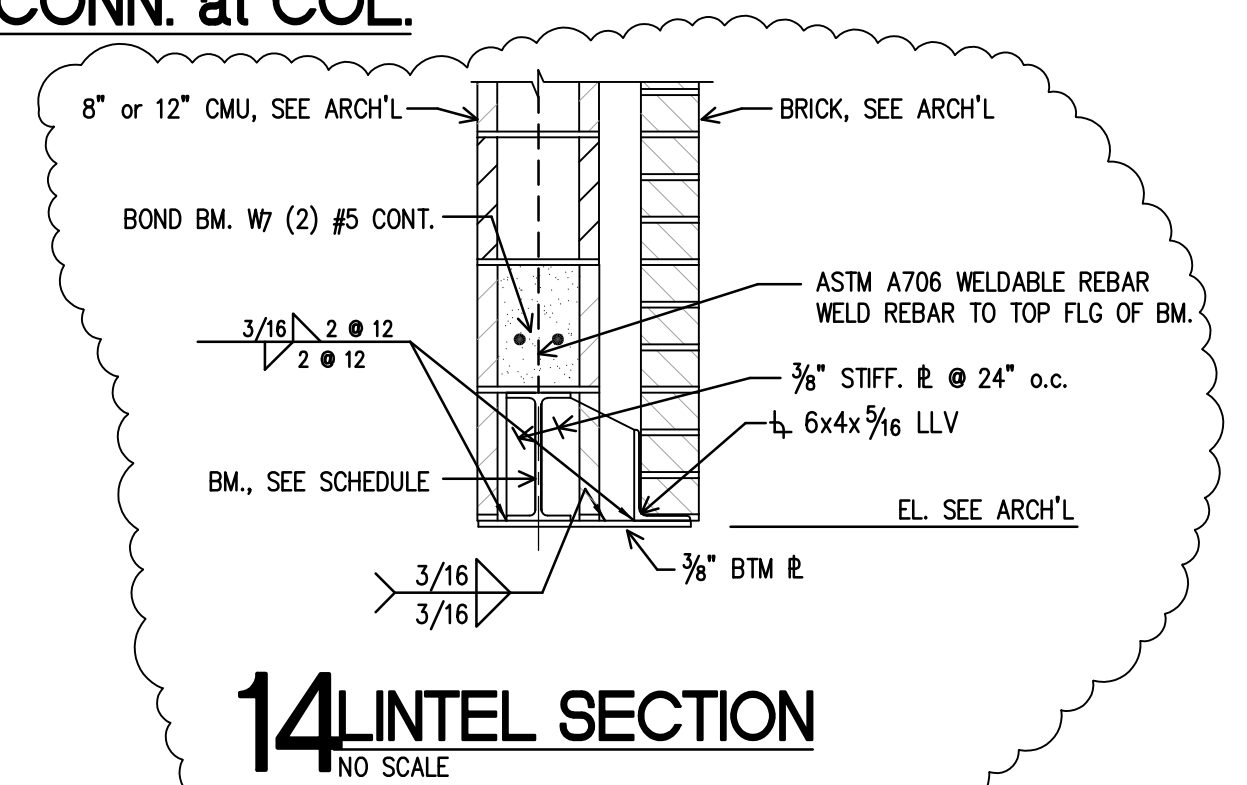
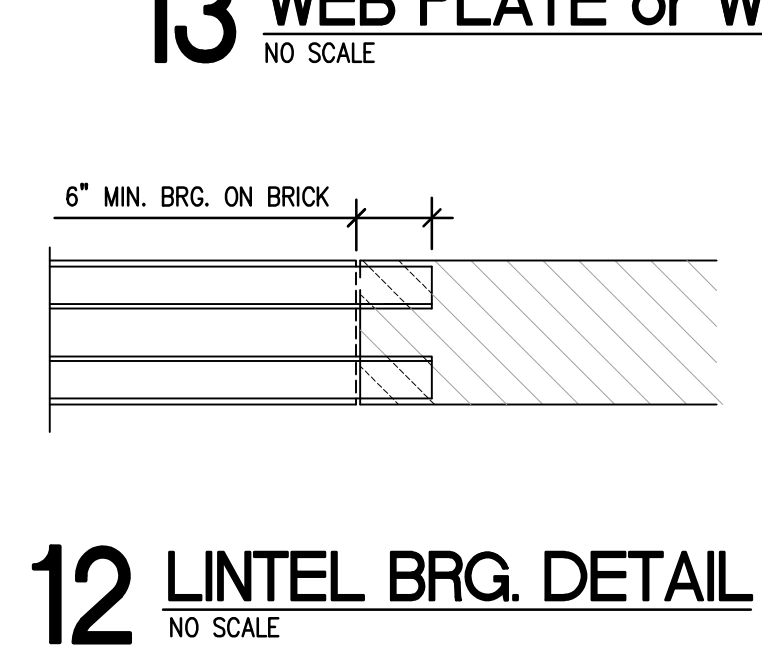
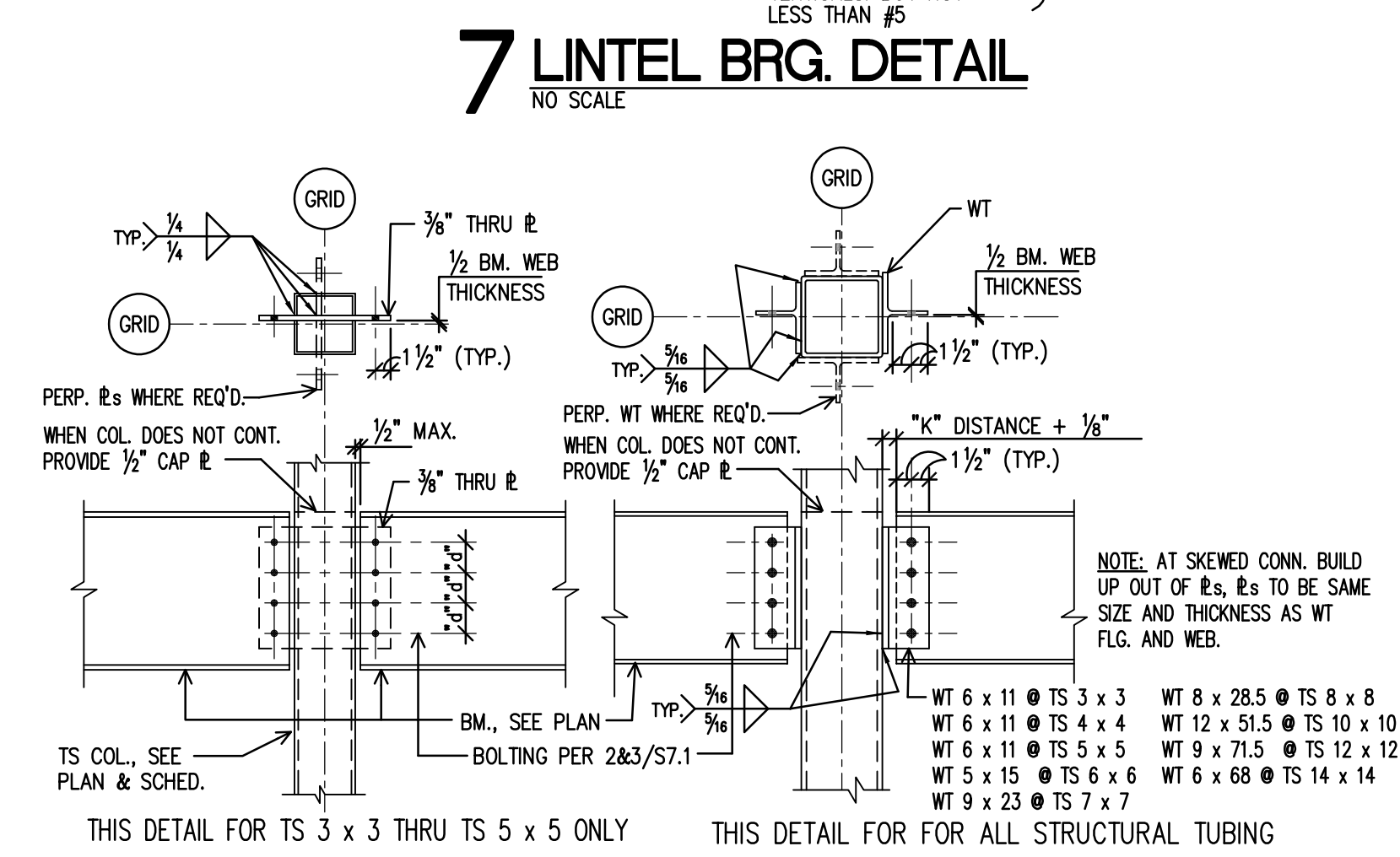
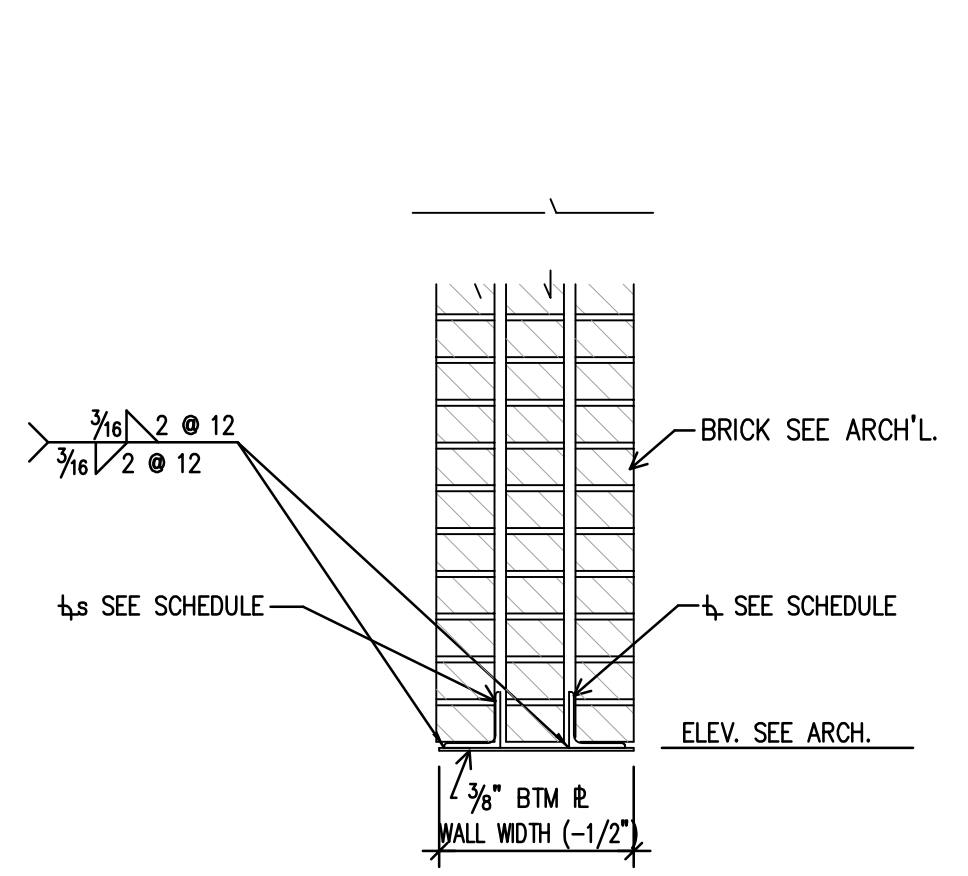
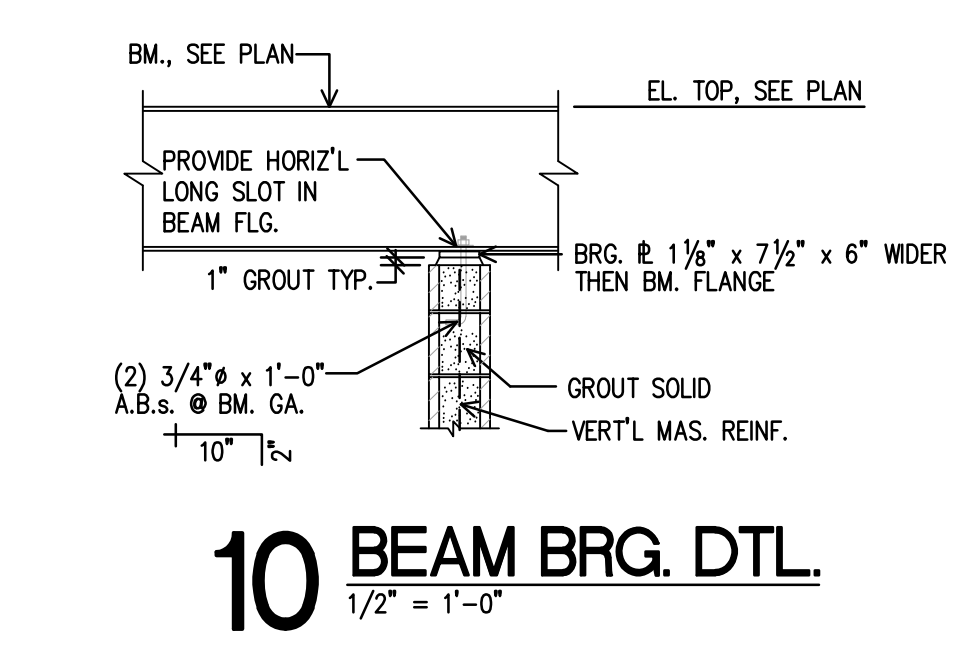
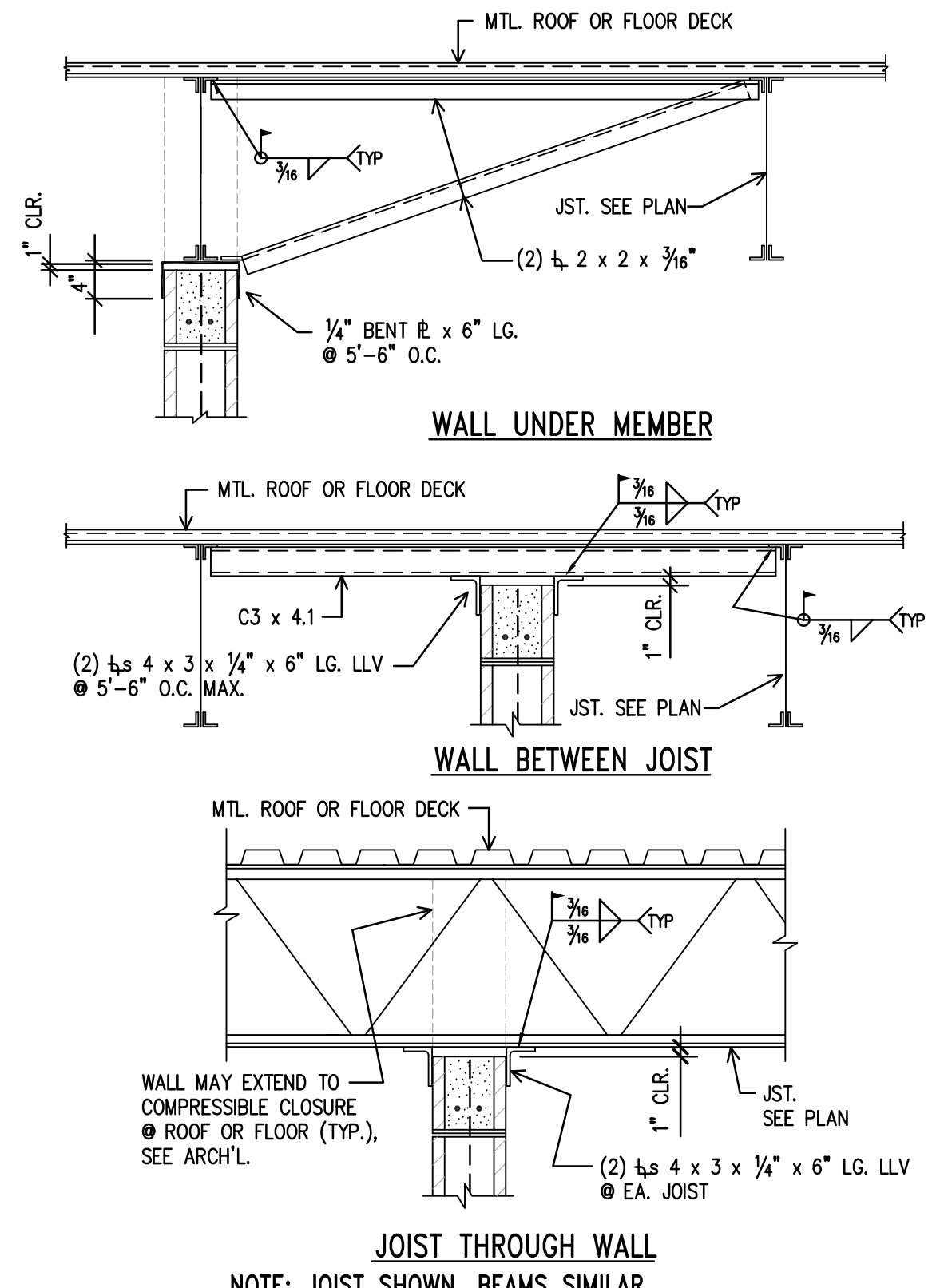
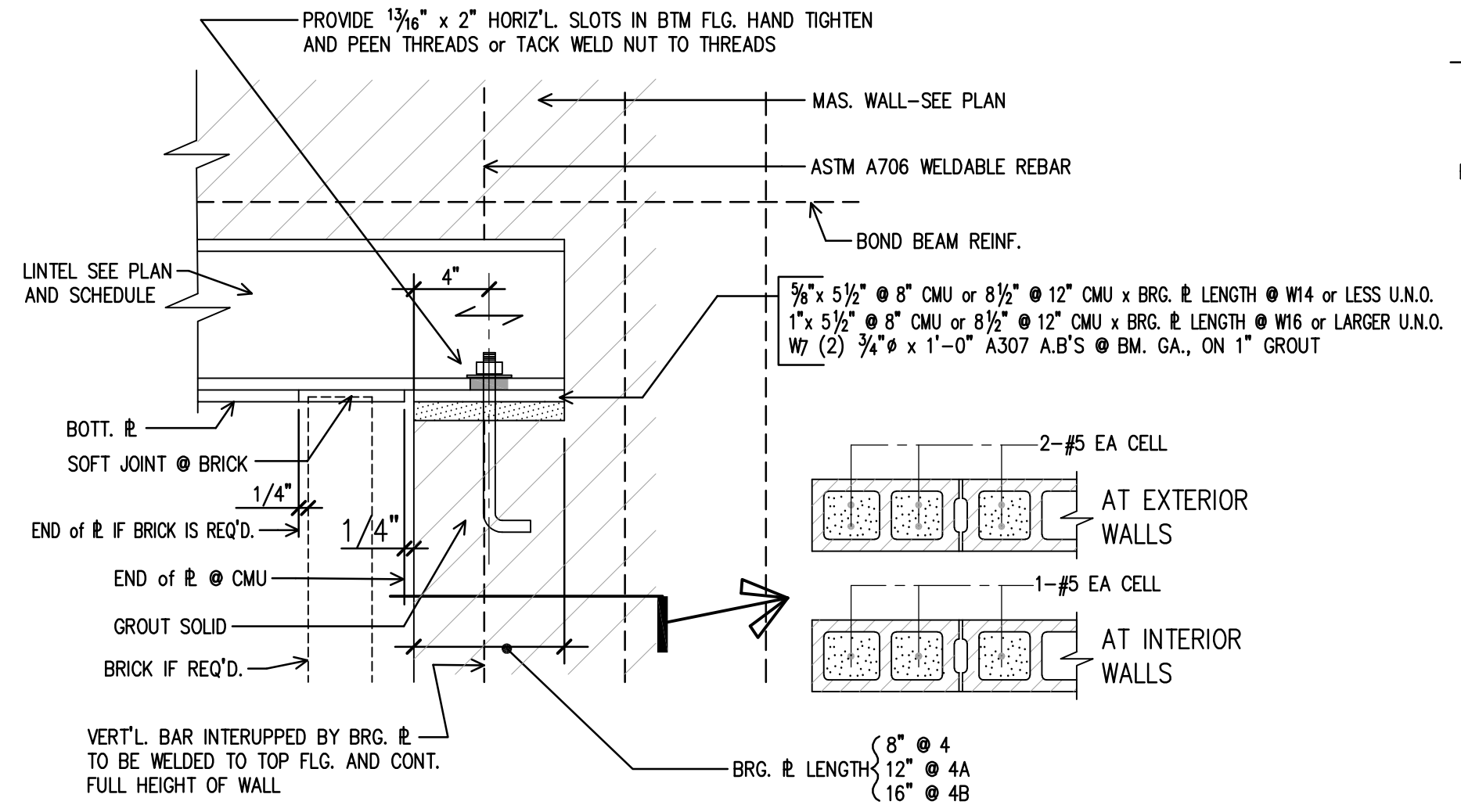
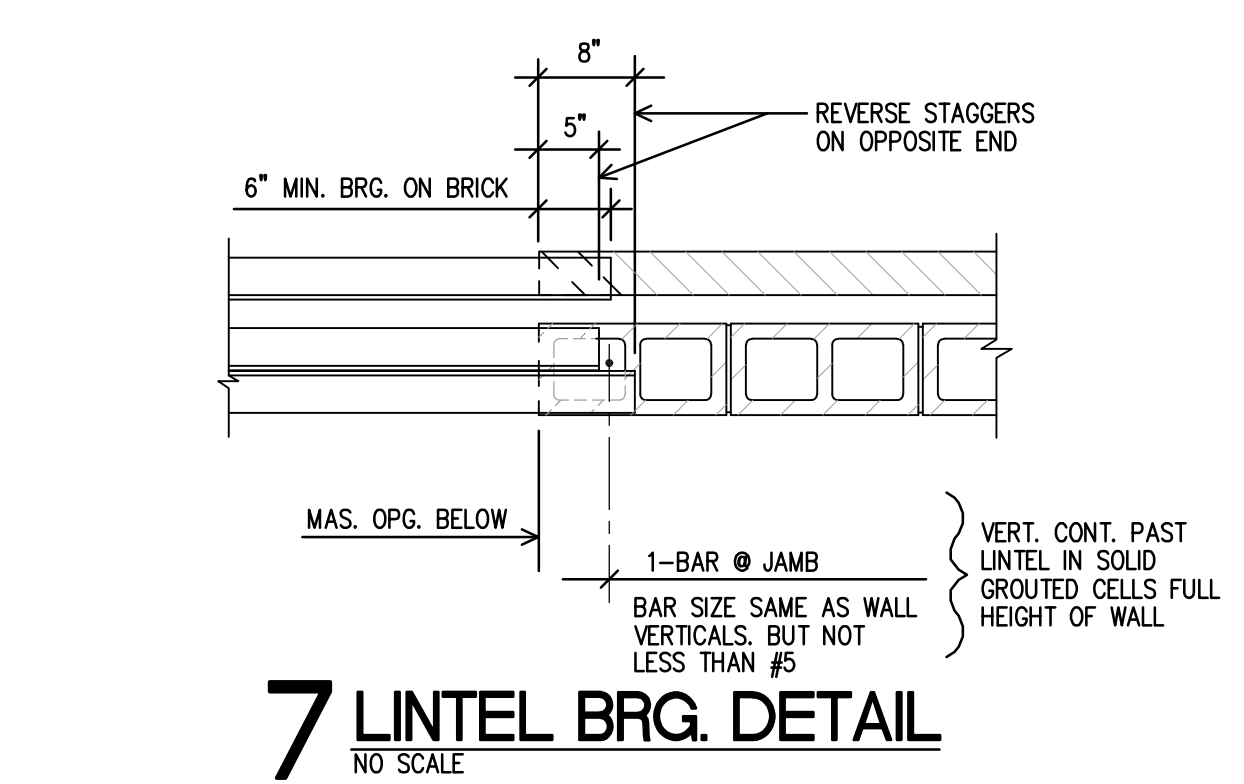
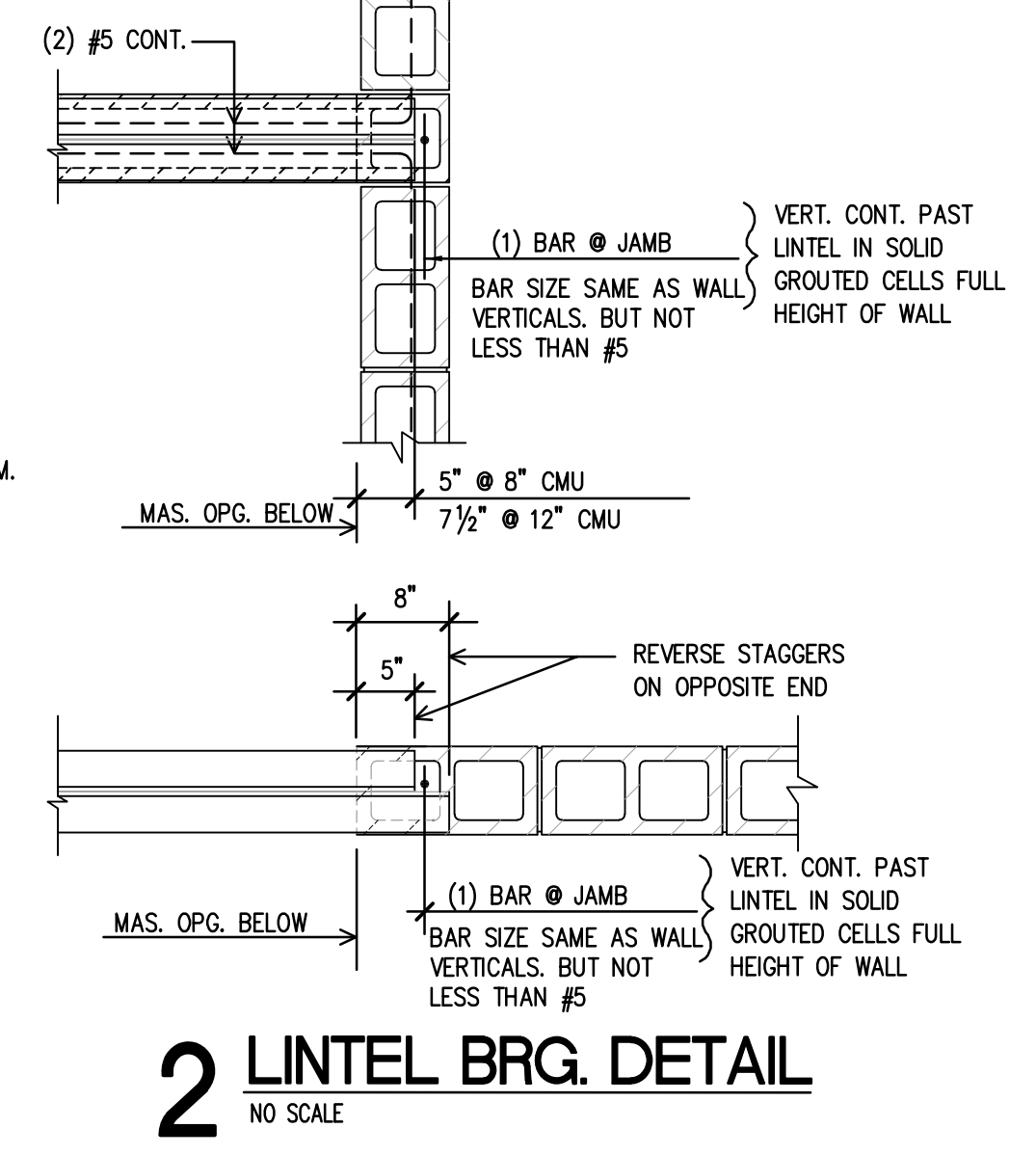
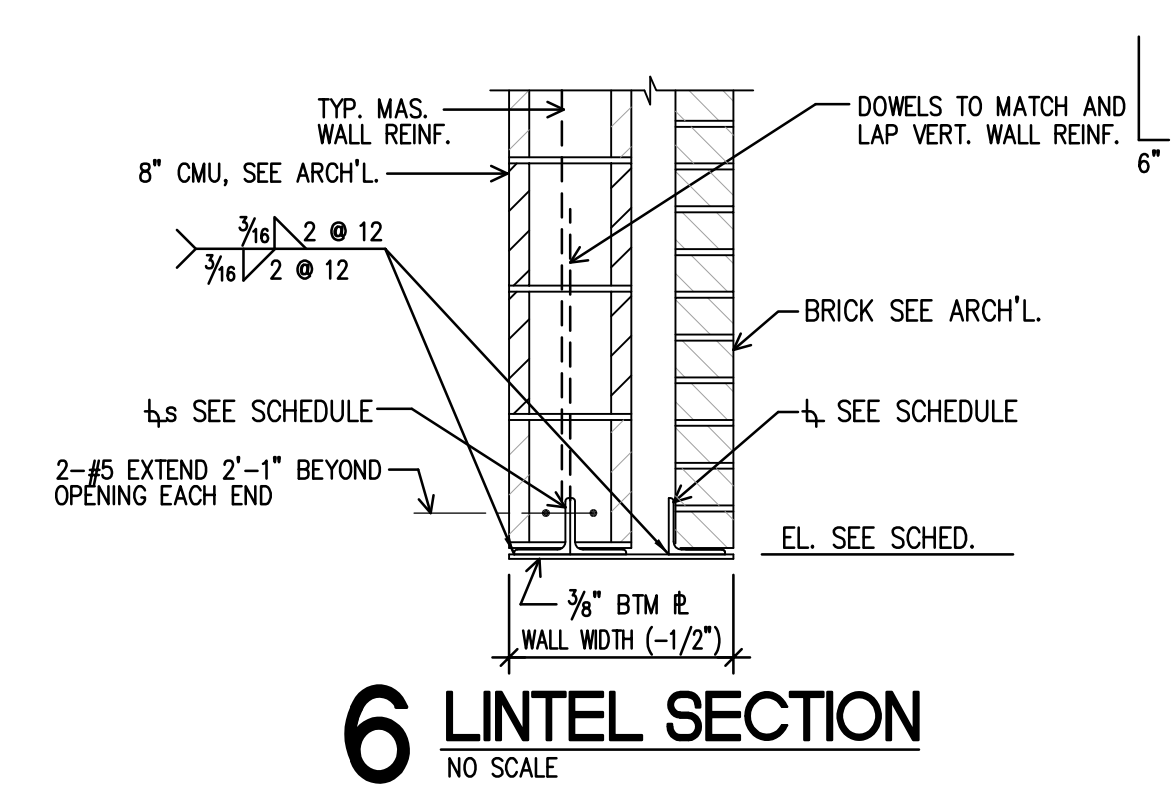
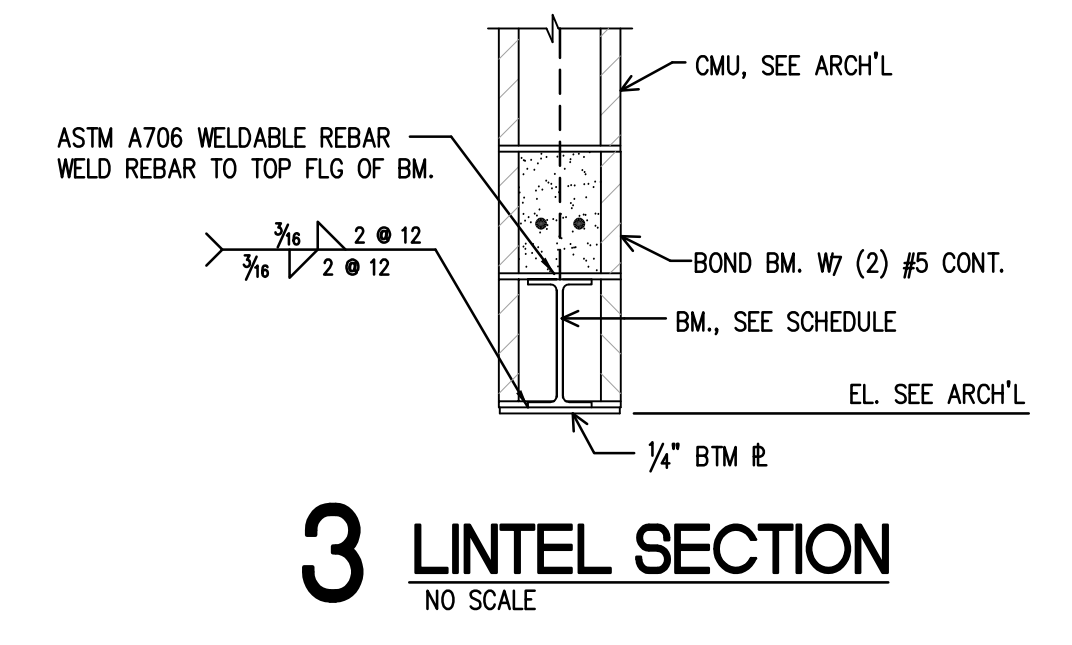
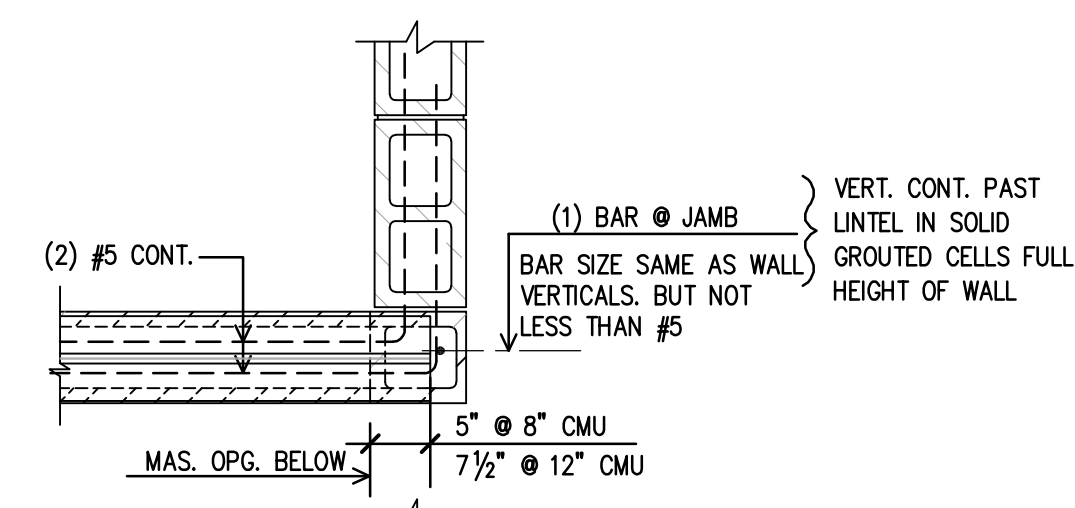
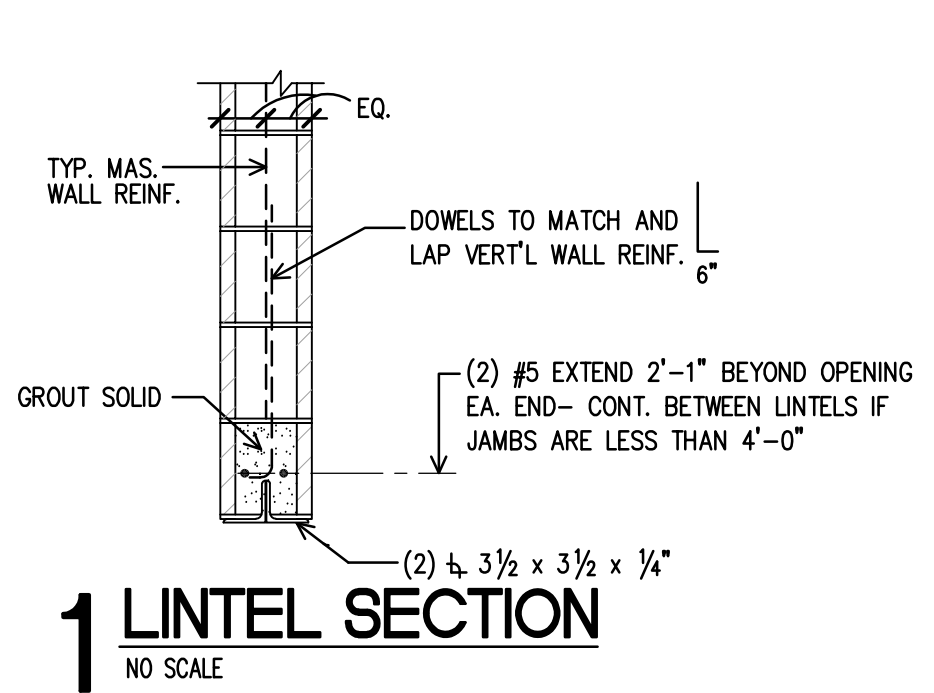


LINTEL SUPPORT SCHEDULE					
MARK	SIZE	LINTEL CROSS SECT.	SUPPORTS		REMARKS
			N/W	INTERIOR	
L1	(3) 5 x 3 1/2 x 3/16" LLV	6/S4.1	7/S4.1	-	7/S4.1
L2	(2) 5 x 3 1/2 x 3/16" LLV	1/S4.1	2/S4.1	-	2/S4.1
L3	WB x 24	3/S4.1	4/S4.1	-	4/S4.1
L4	WB x 24	5/S4.1	4/S4.1	-	4/S4.1
L5	(2) 5 x 3 1/2 x 3/16" LLV	1/S4.1	2/S4.1	-	2/S4.1
L6	(2) 5 x 3 1/2 x 3/16" LLV	11/S4.1	12/S4.1	-	12/S4.1
L7	WB x 24	3/S4.1	4/S4.1	-	13/S4.1
L8	WB x 24	14/S4.1	4/S4.1	-	4/S4.1

LEGEND:
N/W - SUPPORT DETAIL @ NORTH OR WEST END OF LINTEL
S/E - SUPPORT DETAIL @ SOUTH OR EAST END OF LINTEL
INTERIOR - SUPPORT DETAIL @ ONE OR MORE INTERIOR SUPPORTS
MINIMUM LINTELS UNLESS OTHERWISE NOTED, SHALL BE AS FOLLOWS:
SPAN 0'-0" to 1'-8" 1/4" PLATE x WIDTH OF WALL
1'-9" to 3'-0" 3/2 x 3/2 x 1/4
3'-1" to 4'-8" 4 x 3 1/2 x 3/16 LLV
4'-9" to 6'-3" 5 x 3 1/2 x 3/16 LLV
6'-4" to 8'-0" 6 x 3 1/2 x 3/16 LLV
8'-1" up WB x 24 WITH 1/2" CONT. R., SEE 3 & 4/S4.1 FOR 12" CMU SIM.
NOTE: FURNISH ONE ANGLE FOR EACH 4" WIDTH OF WALL
8" MINIMUM BEARING EACH END.



2019
OXFORD JUNIOR/SENIOR HIGH SCHOOL
UNIFIED SCHOOL DISTRICT #358
 515 N Water St, Oxford, KS 67119

DRAWINGS ISSUED		
NO.	DATE	ITEM ISSUED
0	1/30/20	ADDENDUM
1	12/31/19	ISSUED FOR BIDS
6	12/16/19	99% BOARD REVIEW
5	12/13/19	99% SUBMITTAL
4	4/20/19	50% REVIEW
3	6/10/19	DESIGN DEVELOPMENT
2	5/13/19	SCHEMATIC DESIGN
1	4/8/19	SCHEMATIC DESIGN

COMPUTER DRAWING	
DATE: DEC. 31, 2019	CHECKED BY:
DRAWN BY: PS	PS
SHEET	