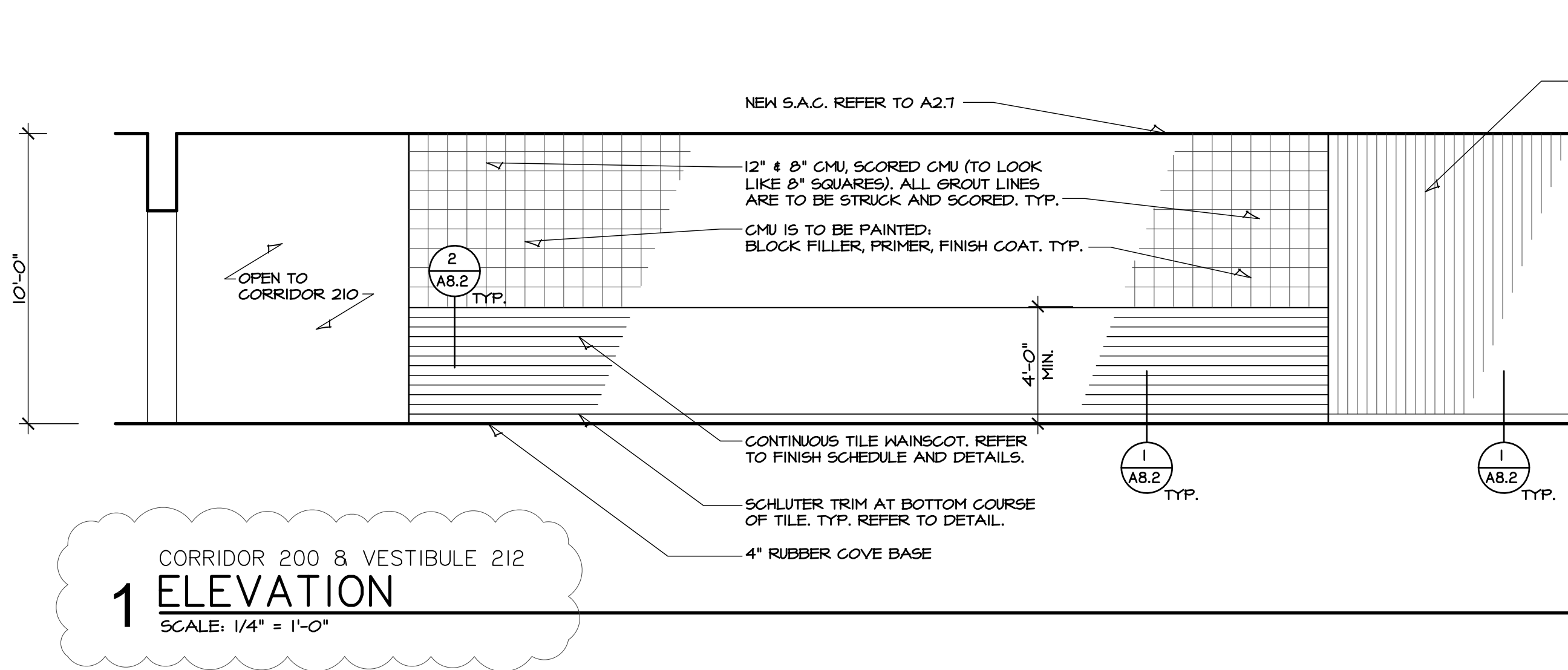


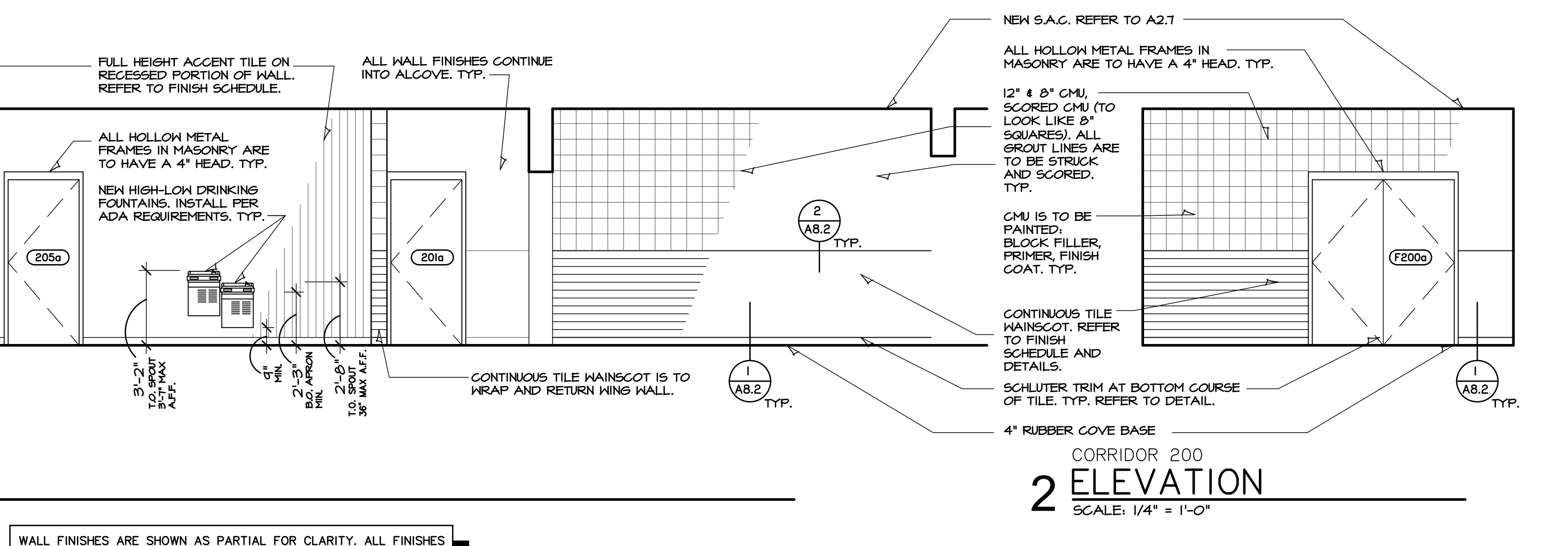
HANNEY & ASSOCIATES, ARCHITECTS
 1726 South Hillside, Wichita, Kansas, 67211
 Phone (316) 883-8985
 Fax (316) 884-1441
 www.hanarchitects.com

2019
 OXFORD JUNIOR/SENIOR HIGH SCHOOL
 UNIFIED SCHOOL DISTRICT #358
 515 N Water St, Oxford, KS 67119

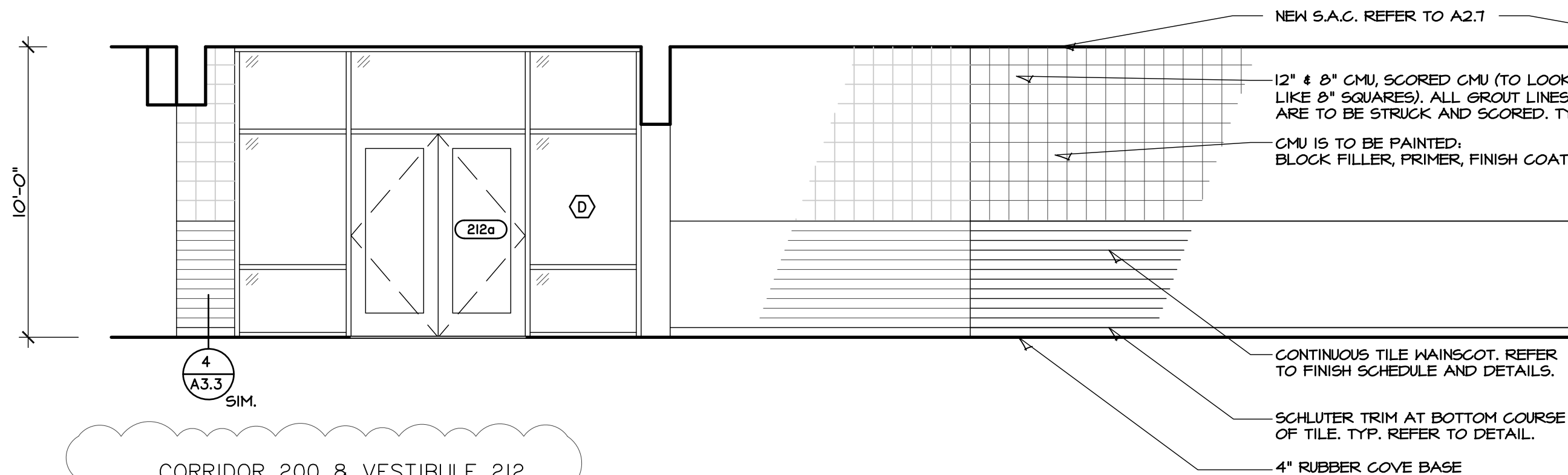


1 ELEVATION
 CORRIDOR 200 & VESTIBULE 212
 SCALE: 1/4" = 1'-0"

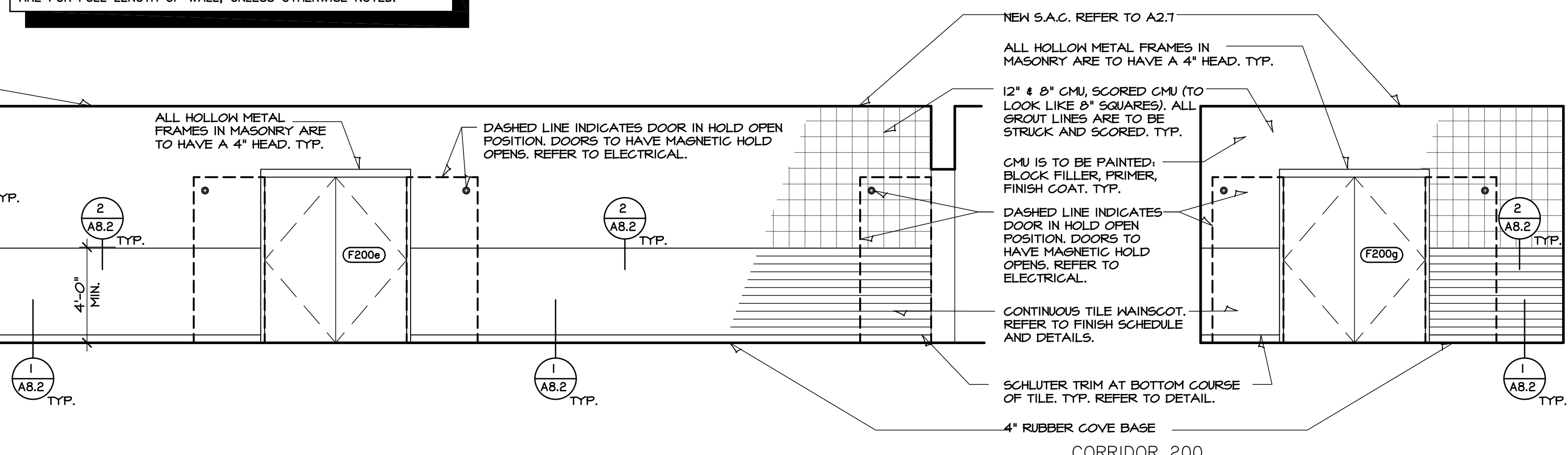
WALL FINISHES ARE SHOWN AS PARTIAL FOR CLARITY. ALL FINISHES ARE FOR FULL LENGTH OF WALL, UNLESS OTHERWISE NOTED.



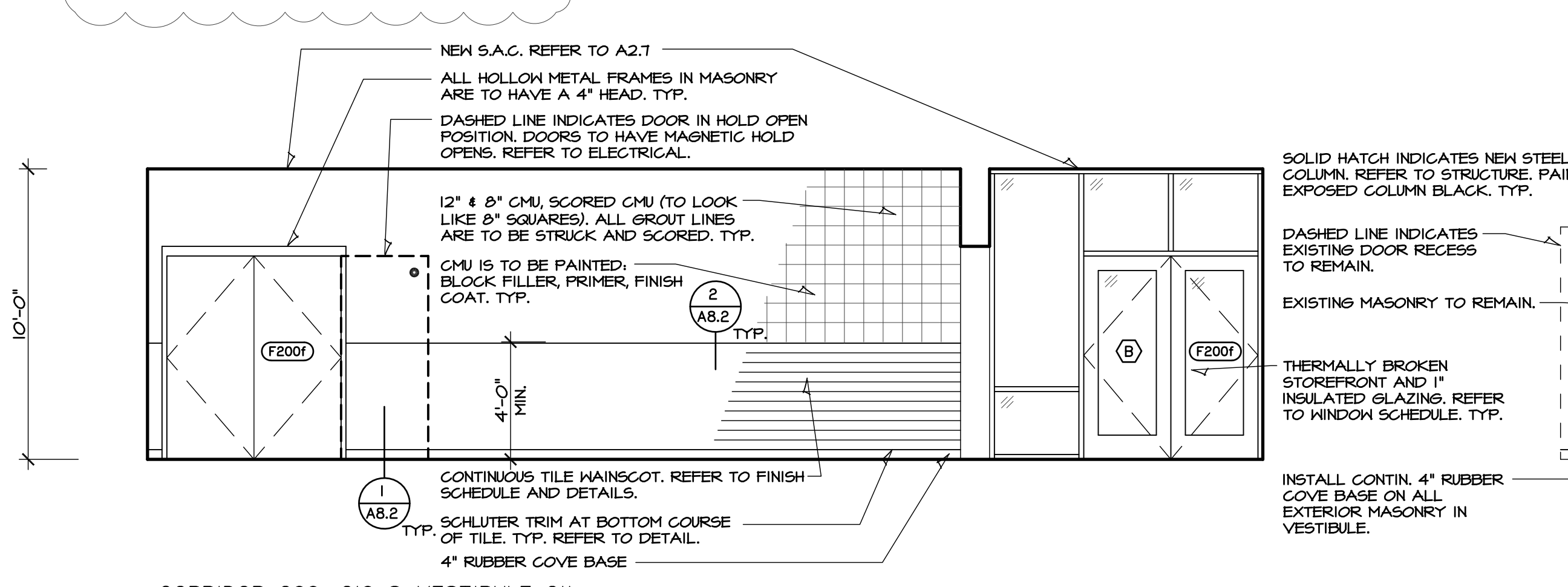
2 ELEVATION
 CORRIDOR 200
 SCALE: 1/4" = 1'-0"



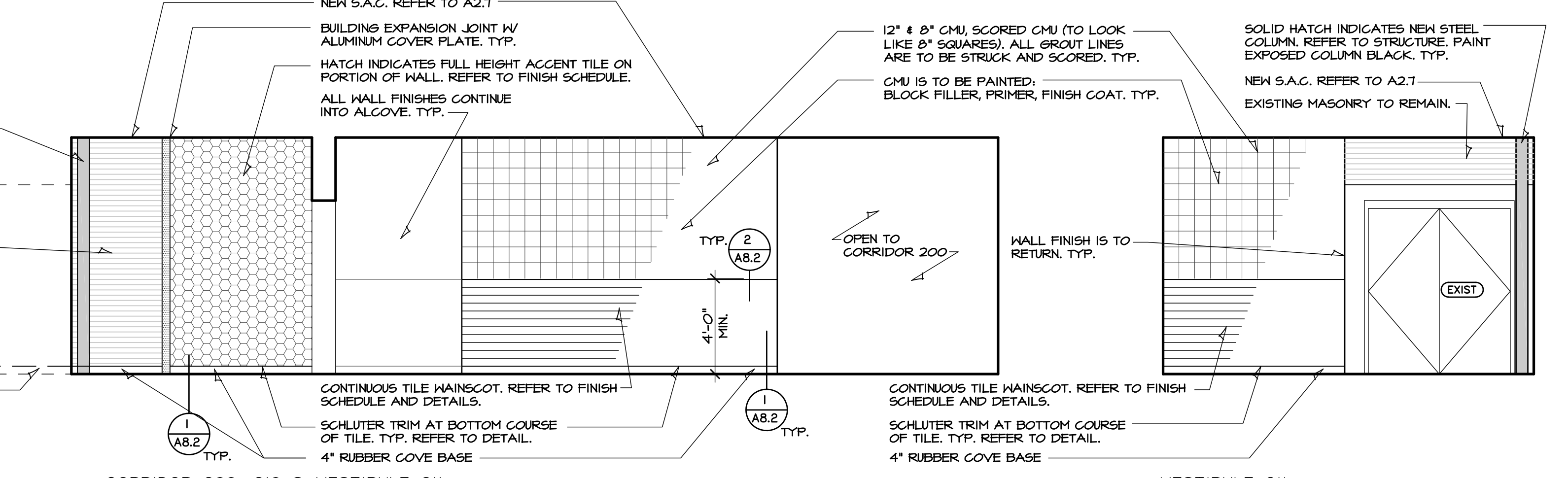
3 ELEVATION
 CORRIDOR 200 & VESTIBULE 212
 SCALE: 1/4" = 1'-0"



4 ELEVATION
 CORRIDOR 200
 SCALE: 1/4" = 1'-0"

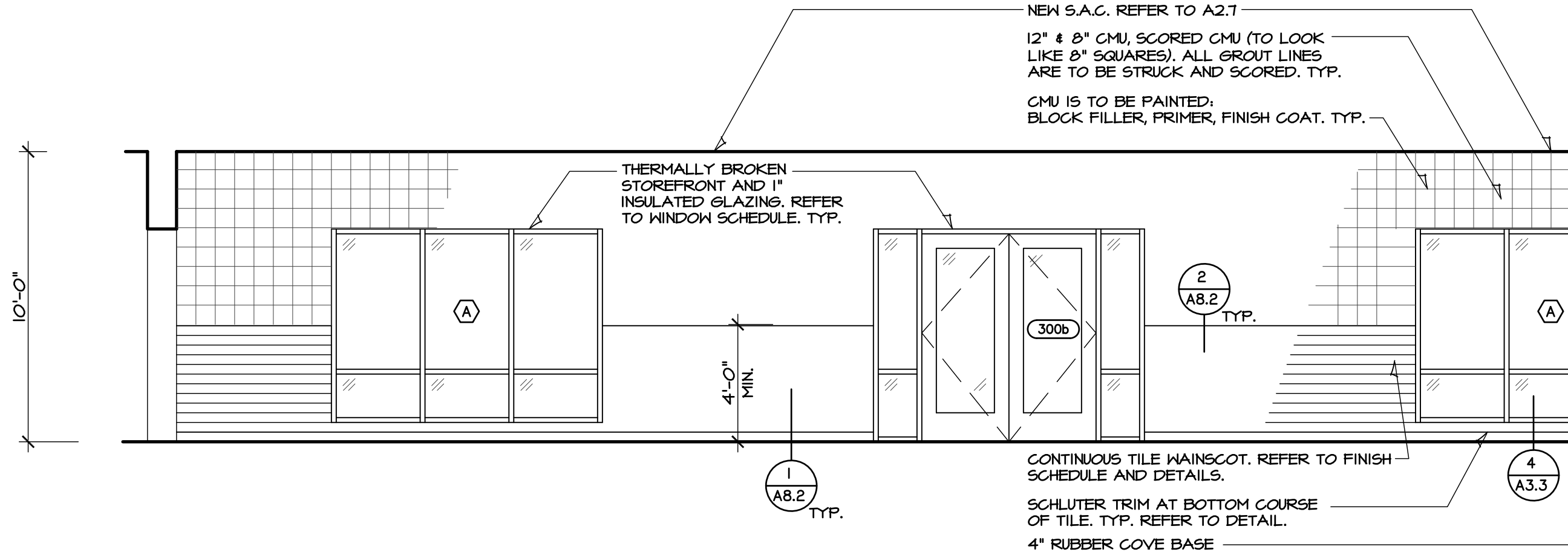


5 ELEVATION
 CORRIDOR 200, 210 & VESTIBULE 211
 SCALE: 1/4" = 1'-0"

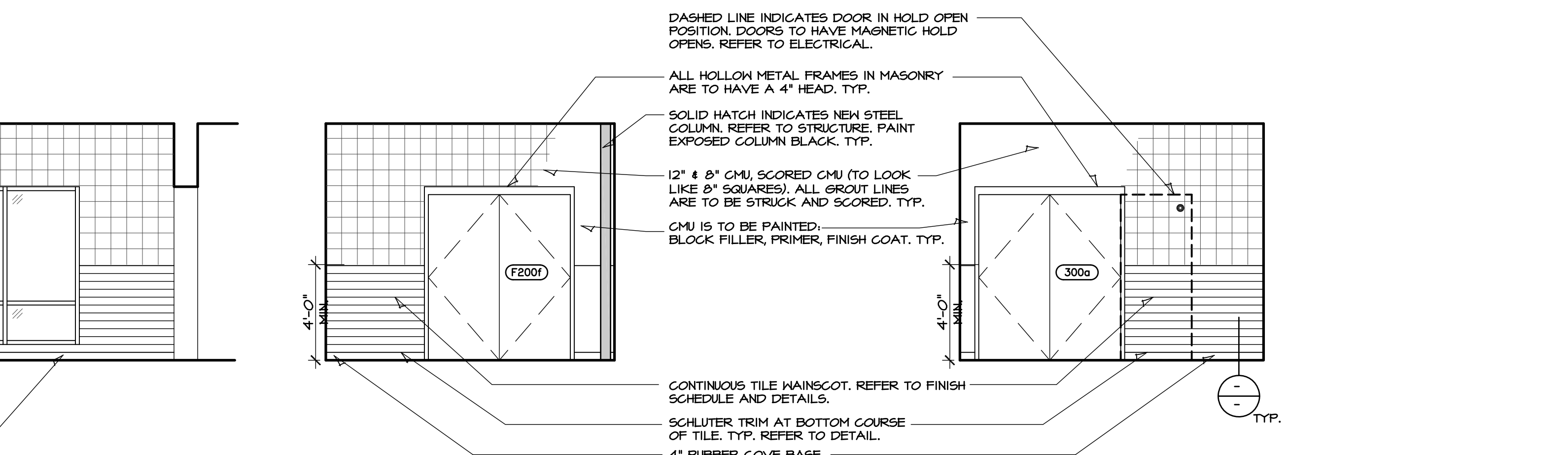


6 ELEVATION
 CORRIDOR 200, 210 & VESTIBULE 211
 SCALE: 1/4" = 1'-0"

6a ELEVATION
 VESTIBULE 211
 SCALE: 1/4" = 1'-0"



7 ELEVATION
 CORRIDOR 300
 SCALE: 1/4" = 1'-0"



8 ELEVATION
 CORRIDOR 300
 SCALE: 1/4" = 1'-0"

9 ELEVATION
 CORRIDOR 300
 SCALE: 1/4" = 1'-0"

| DRAWINGS ISSUED | | |
|-----------------|----------|--------------------|
| NO. | DATE | ITEM ISSUED |
| 8 | 1/21/20 | ADDENDUM # 3 |
| 7 | 2/20/19 | ISSUED FOR BIDS |
| 6 | 12/16/14 | 99% BOARD REVIEW |
| 5 | 12/13/14 | 99% SUBMITTAL |
| 4 | 1/20/19 | 50% REVIEW |
| 3 | 6/10/14 | DESIGN DEVELOPMENT |
| 2 | 5/13/14 | SCHEMATIC DESIGN |
| 1 | 4/8/14 | SCHEMATIC DESIGN |

COMPUTER DRAWING

DATE: AUGUST, 2019
 DRAWN BY: MRH
 CHECKED BY: MRH

SHEET
A6.4
 OF 1 SHEETS