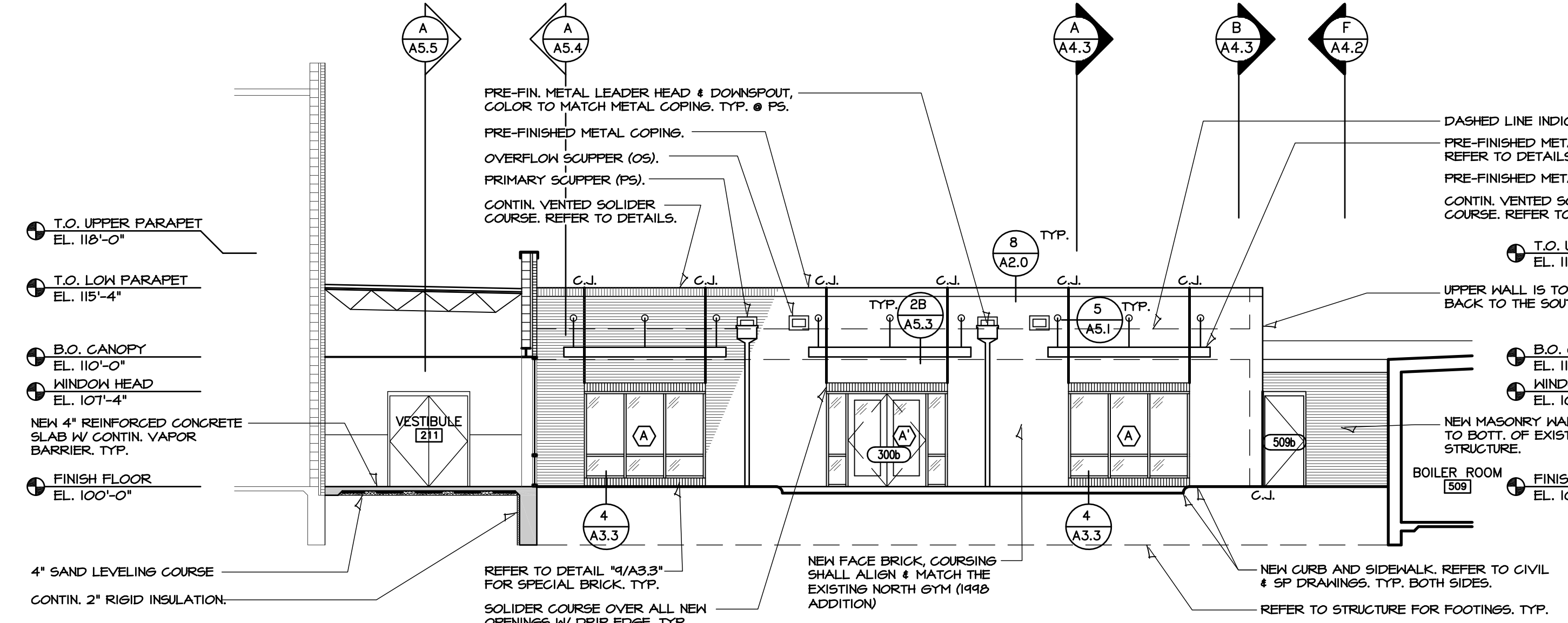
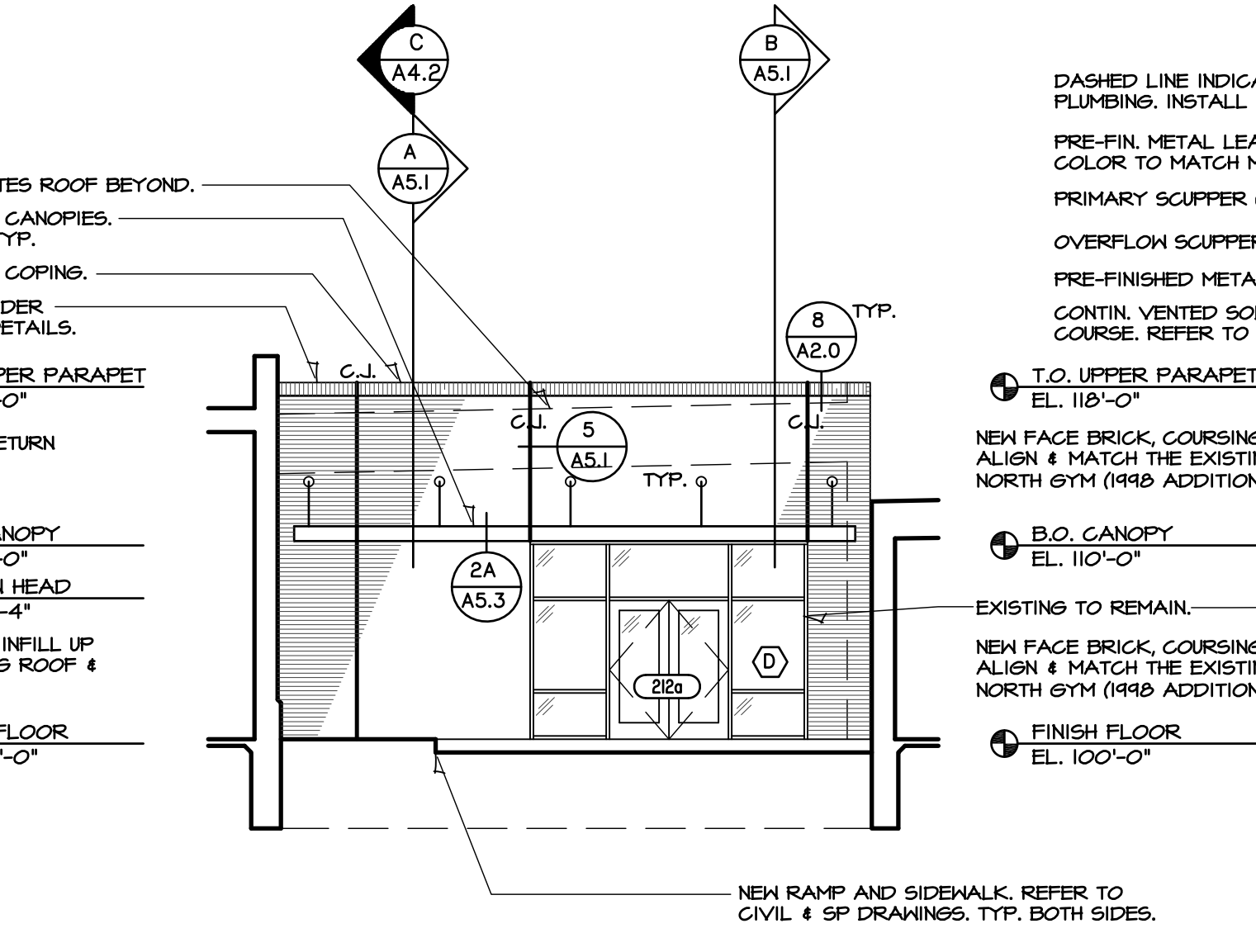




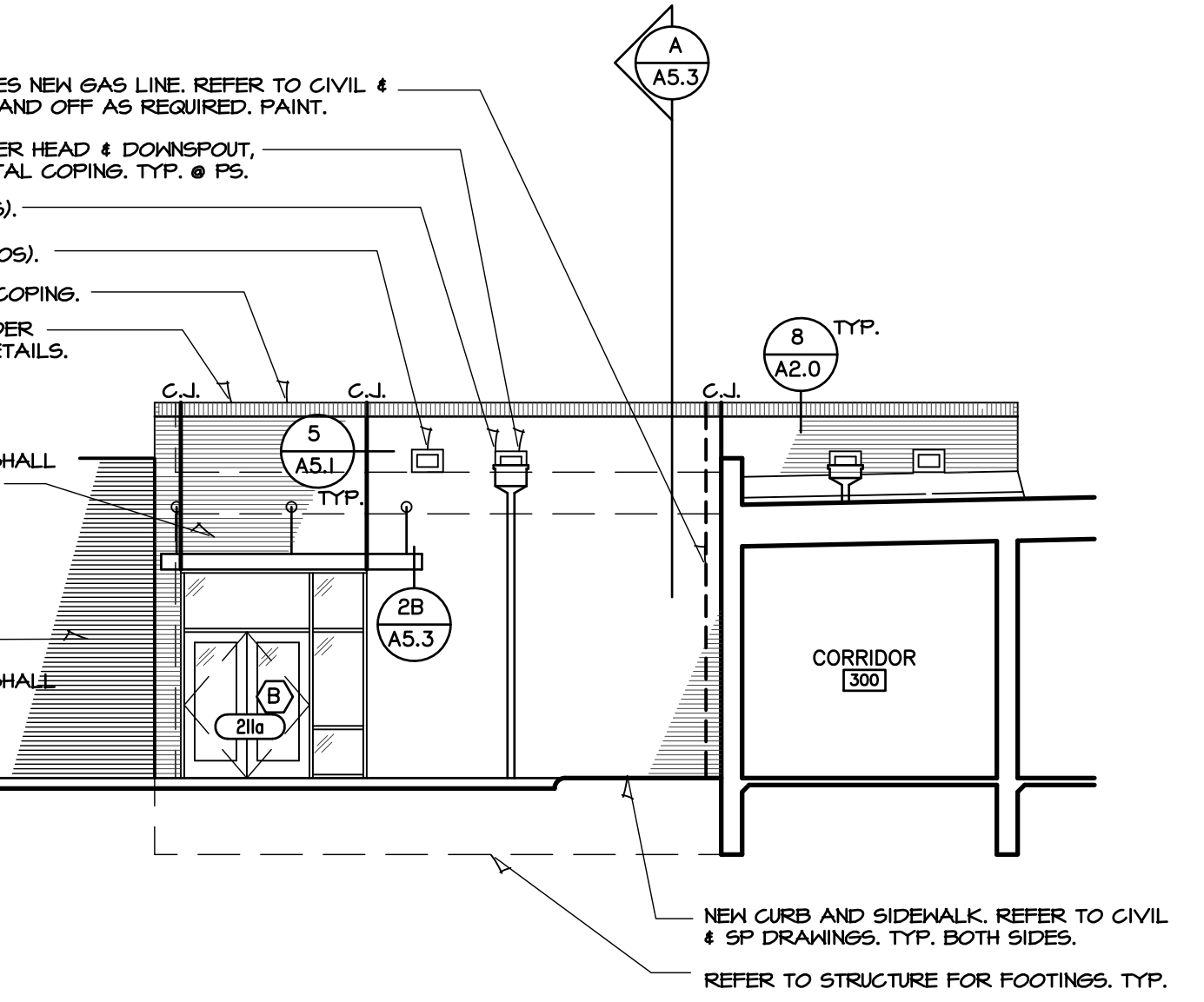
HANNEY & ASSOCIATES, ARCHITECTS  
 1726 South Hillside, Wichita, Kansas, 67211  
 Phone (316) 883-8965  
 Fax (316) 884-1441  
 www.hanneyarchitects.com



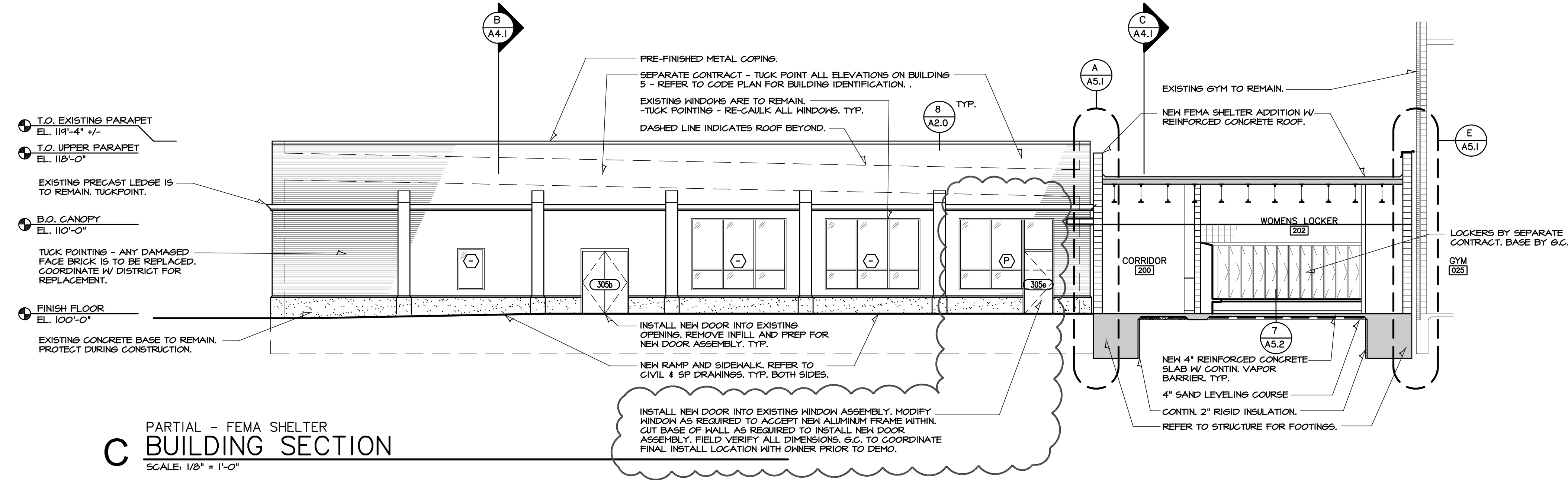
**A** NORTH ELEVATION - FEMA SHELTER  
 NORTH ELEVATION - PARTIAL  
 SCALE: 1/8" = 1'-0"



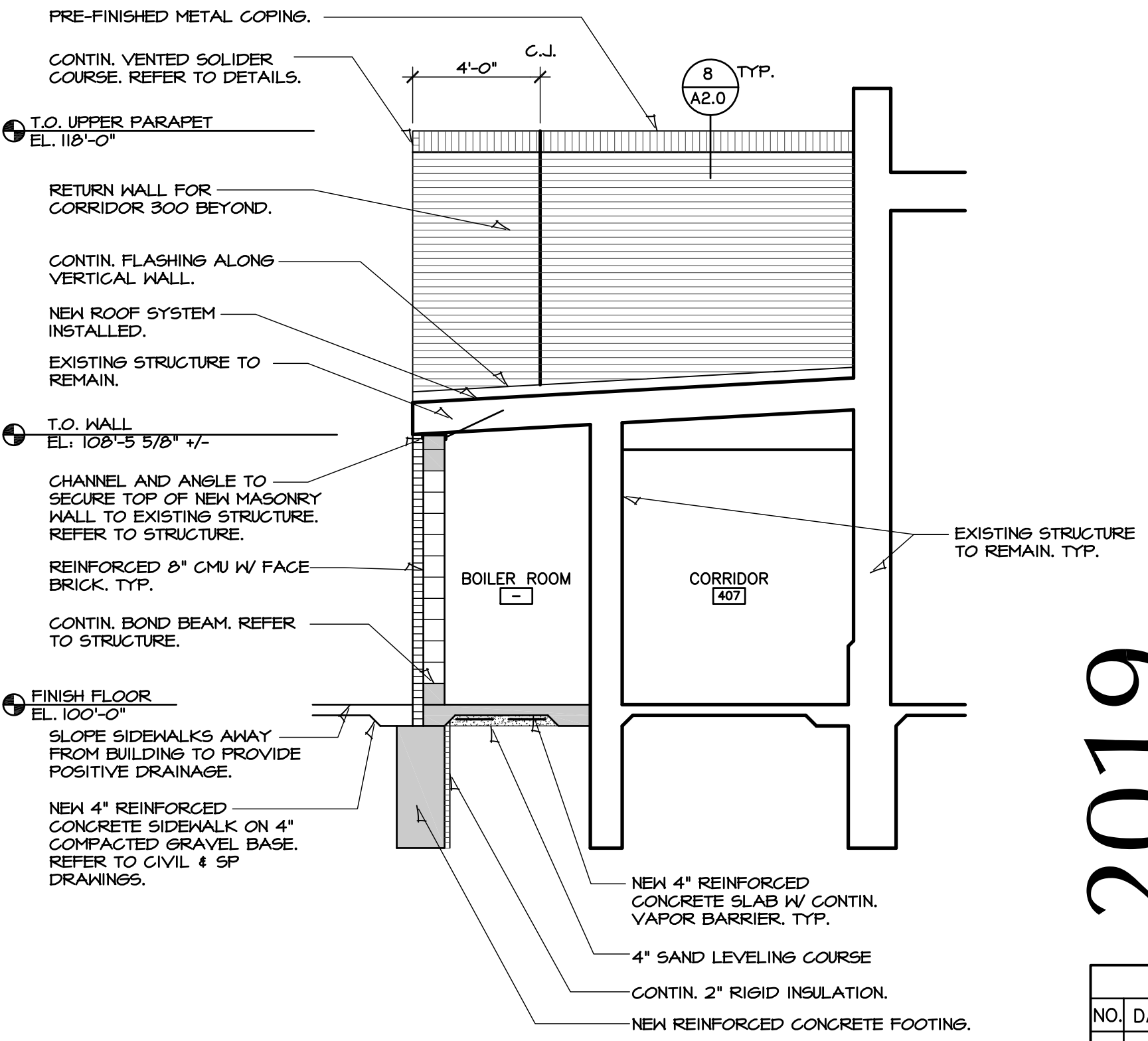
**B** SOUTH ELEVATION - FEMA SHELTER  
 SOUTH ELEVATION - PARTIAL  
 SCALE: 1/8" = 1'-0"



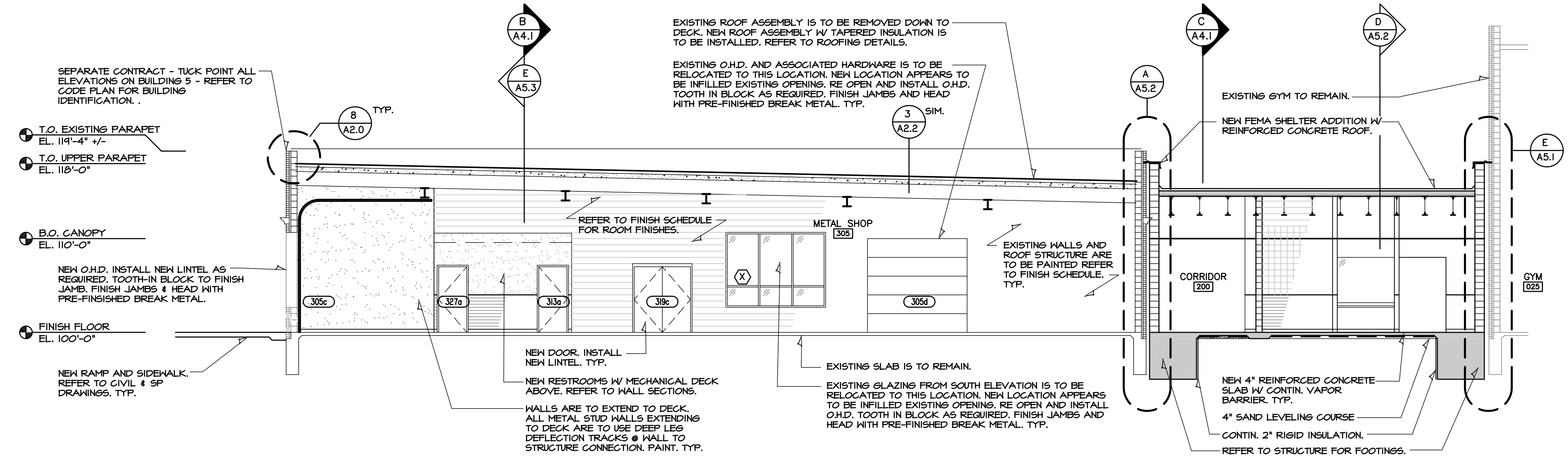
**E** WEST ELEVATION - FEMA SHELTER  
 WEST ELEVATION - PARTIAL  
 SCALE: 1/8" = 1'-0"



**C** PARTIAL - FEMA SHELTER  
 BUILDING SECTION  
 SCALE: 1/8" = 1'-0"



**F** WEST SECTION - PARTIAL  
 SCALE: 1/4" = 1'-0"



**D** PARTIAL - FEMA SHELTER  
 BUILDING SECTION  
 SCALE: 1/8" = 1'-0"

**2019**  
 OXFORD JUNIOR/SENIOR HIGH SCHOOL  
 UNIFIED SCHOOL DISTRICT #358  
 515 N Water St, Oxford, KS 67119

DRAWINGS ISSUED		
NO.	DATE	ITEM ISSUED
8	1/21/20	ADDENDUM #3
7	12/20/19	ISSUED FOR BIDS
6	12/16/19	99% BOARD REVIEW
5	12/13/19	99% SUBMITTAL
4	9/20/19	50% REVIEW
3	6/10/19	DESIGN DEVELOPMENT
2	5/13/19	SCHEMATIC DESIGN
1	4/8/19	SCHEMATIC DESIGN

COMPUTER DRAWING  
 358\_H5\_A502.dwg

DATE: AUGUST, 2019  
 DRAWN BY: MH, CH, MB, JC  
 CHECKED BY: MRH

SHEET  
**A4.2**  
 OF 1 SHEETS