

# ALUMINUM FRAME TYPES



HANNEY & ASSOCIATES, ARCHITECTS  
1726 South Hillside, Wichita, Kansas, 67211  
Phone (316) 883-8965  
Fax (316) 884-1441  
www.hanarchitects.com

**2019**  
**OXFORD JUNIOR/SENIOR HIGH SCHOOL**  
**UNIFIED SCHOOL DISTRICT #358**  
 515 N Water St, Oxford, KS 67119

DRAWINGS ISSUED		
NO.	DATE	ITEM ISSUED
8	1/21/20	ADDENDUM # 3
7	12/20/19	ISSUED FOR BIDS
6	12/16/19	99% BOARD REVIEW
5	12/13/19	99% SUBMITTAL
4	9/20/19	50% REVIEW
3	6/10/19	DESIGN DEVELOPMENT
2	5/13/19	SCHEMATIC DESIGN
1	4/8/19	SCHEMATIC DESIGN

COMPUTER DRAWING

DATE: AUGUST, 2019  
DRAWN BY: MH, CH, MB, JC  
CHECKED BY: MRH

SHEET  
**A3.2**  
OF 1 SHEETS

**GENERAL NOTES**

EXTERIOR ALUMINUM CURTAIN WALL TO BE MANKO 250 C.W. 4" BACK SERIES - OR APPROVED EQUAL. EXTERIOR GLAZING IS TO BE 1" INSULATED GLASS W/ SOLAR BAN 90 COATING. INSTALL JAMBS, HEAD, AND SILL PER MANUFACTURERS RECOMMENDATIONS. INSTALL DRIP EDGE AT WINDOW HEAD AND CONTIN. FLASHING AT ALL EXTERIOR WINDOW OPENINGS.

INTERIOR ALUMINUM STOREFRONT TO BE MANKO 1450 SERIES - OR APPROVED EQUAL. EXTERIOR GLAZING IS TO BE 1" INSULATED GLASS W/ SOLAR BAN 90 COATING. INSTALL JAMBS, HEAD, AND SILL PER MANUFACTURERS RECOMMENDATIONS. INSTALL DRIP EDGE AT WINDOW HEAD AND CONTIN. FLASHING AT ALL EXTERIOR WINDOW OPENINGS.

ALL FRAMES SHALL BE SET IN SUB-SILL. ALL SUB-SILL SHALL HAVE END DAMS, AND FLASHING AT ALL EXTERIOR LOCATIONS.

THE INSTALLATION OF ALL SUBSILLS SHALL BE INSPECTED AND APPROVED BY THE ARCHITECT PRIOR TO THE INSTALLATION OF THE WINDOWS. WINDOW SET WITHOUT INSPECTION SHALL BE REMOVED FOR INSPECTION. INSPECTIONS WILL BE COMPLETED ON THE ARCHITECTS REGULAR SITE VISITS.

WEATHER STRIPPING BY ALUMINUM DOOR SUPPLIER.

ALL EXTERIOR WINDOW OPENINGS ARE TO BE WRAPPED WITH G.A.F. SELF ADHESIVE WATER PROOF MEMBRANES.

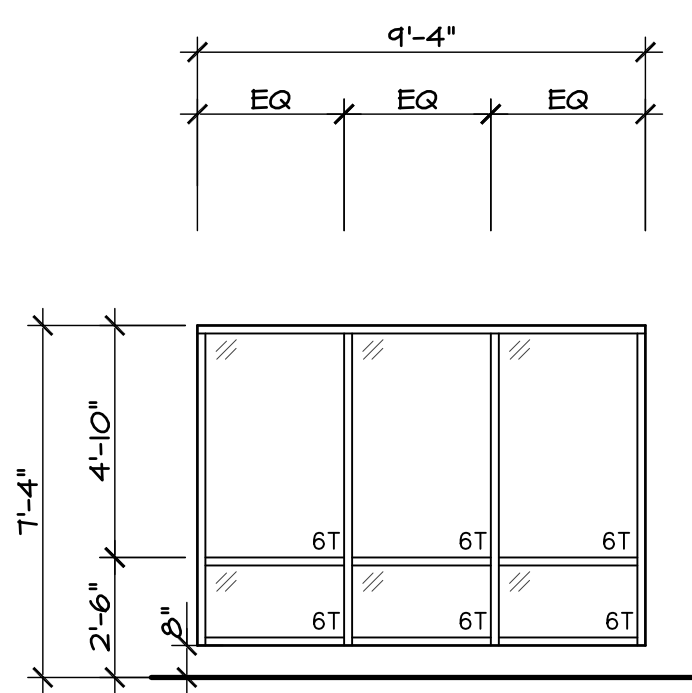
ALL FLASHING SEAMS ARE TO BE CAULKED.

ALL EXTERIOR OPENINGS ARE TO HAVE PRE-FINISHED METAL DRIP EDGES (ALL WINDOWS, MAIN DOORS, OVERHEAD DOORS).

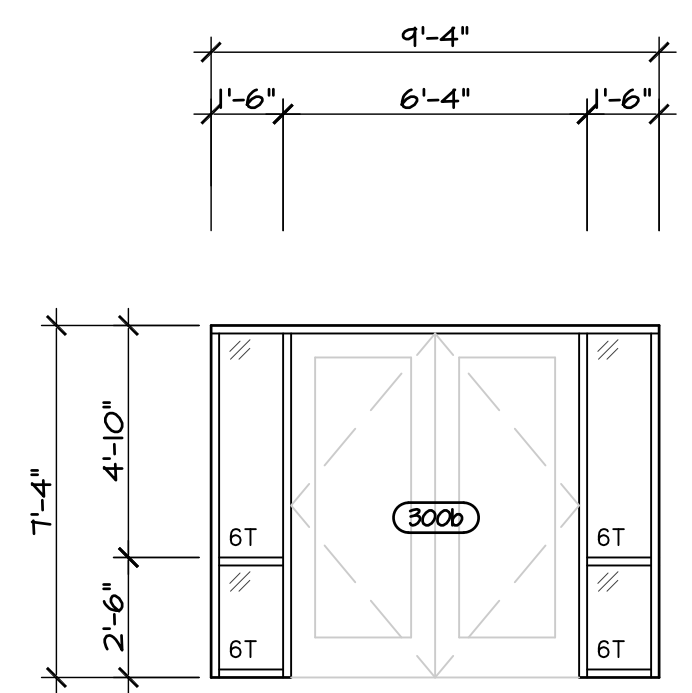
GENERAL CONTRACTOR SHALL COORDINATE DIMENSIONS OF NEW FRAMES TO ALIGN WITH EXISTING CONDITIONS.

NUMBER IN LOWER LEFT HAND CORNER OF WINDOW INDICATES GLAZING TYPE IN SPECIFICATIONS.

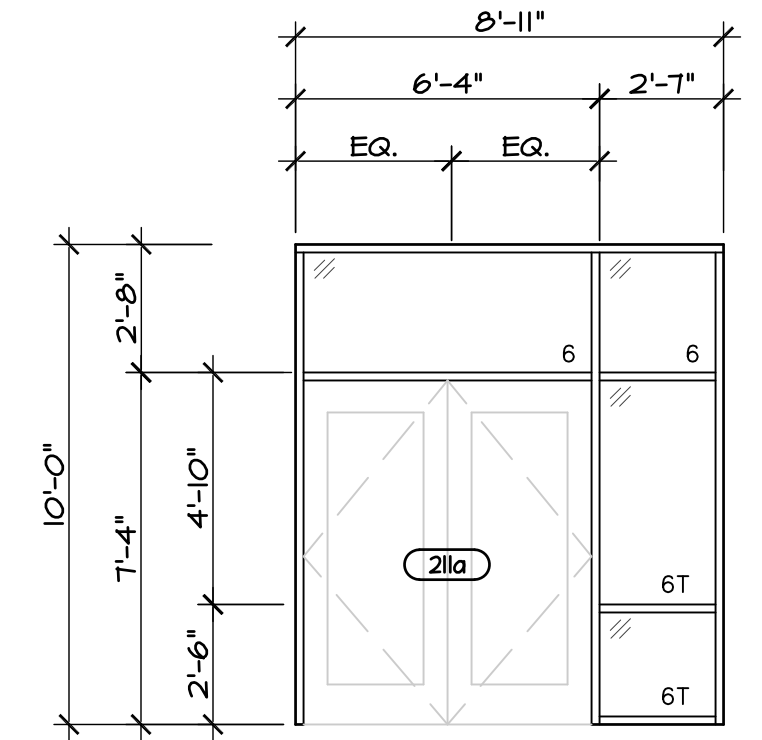
G.C. IS TO FIELD VERIFY ALL WINDOW REPLACEMENT OPENINGS PRIOR TO WINDOW FABRICATION. COORDINATE WITH GLAZING SUB-CONTRACTOR.



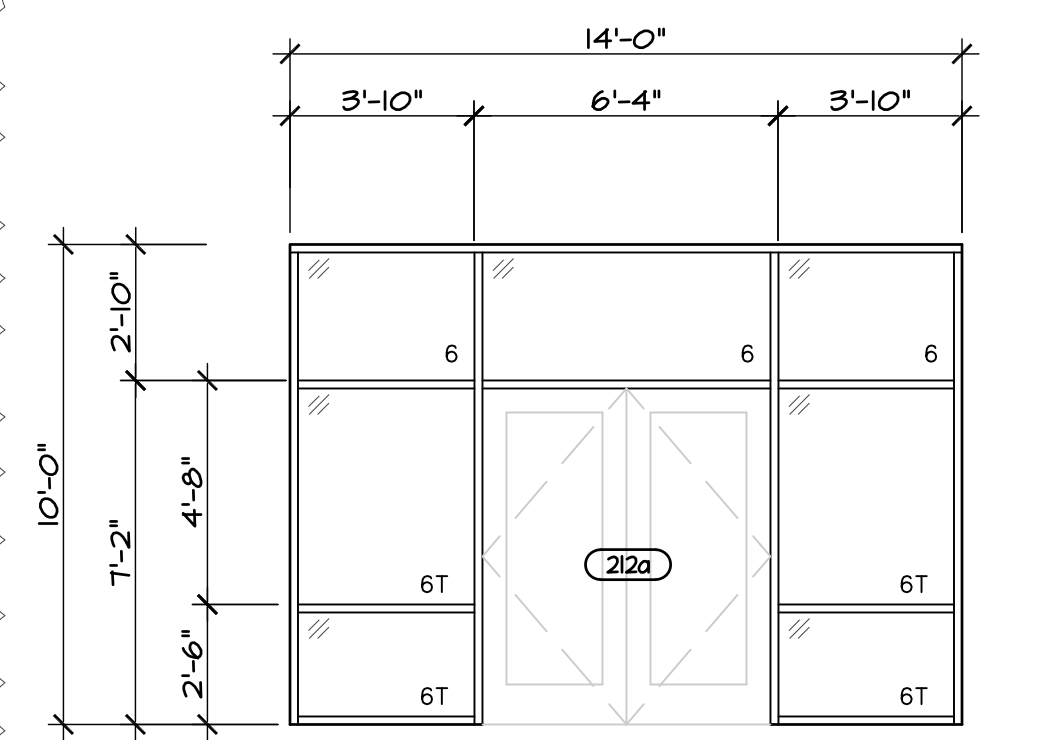
**A**  
MANKO 250 C.W. 4" BACK SERIES  
THERMALLY BROKEN  
DARK BRONZE ANODIZED FINISH



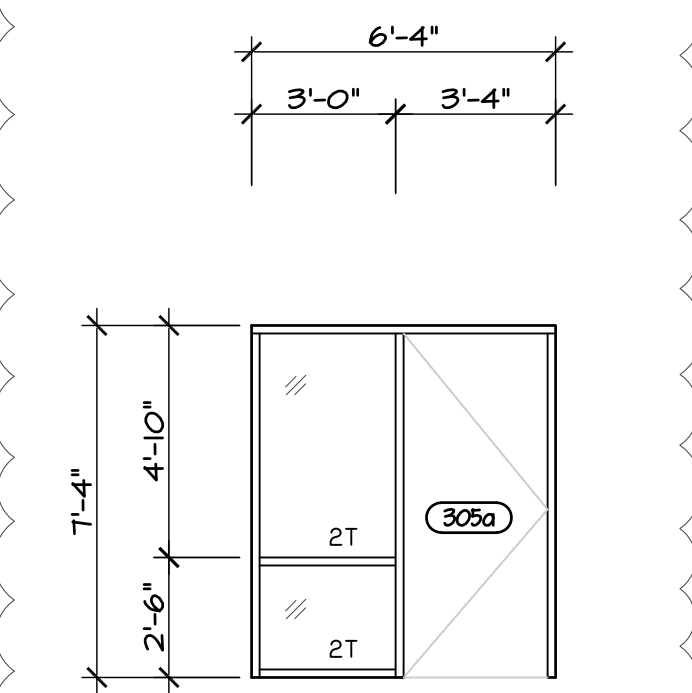
**A'**  
MANKO 250 C.W. 4" BACK SERIES  
THERMALLY BROKEN  
DARK BRONZE ANODIZED FINISH



**B**  
MANKO 250 C.W. 4" BACK SERIES  
THERMALLY BROKEN  
DARK BRONZE ANODIZED FINISH



**D**  
MANKO 250 C.W. 4" BACK SERIES  
THERMALLY BROKEN  
DARK BRONZE ANODIZED FINISH



**E**  
MANKO 1450 SERIES STOREFRONT  
DARK BRONZE ANODIZED FINISH



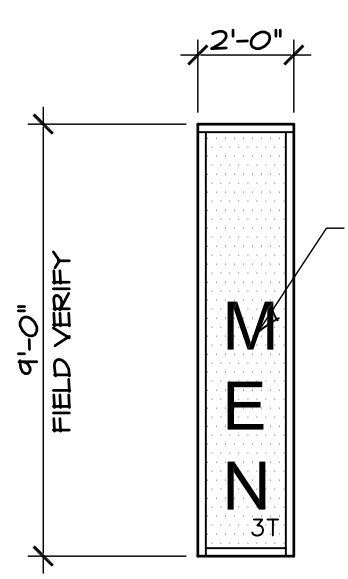
**F**  
MANKO 1450 SERIES STOREFRONT  
DARK BRONZE ANODIZED FINISH



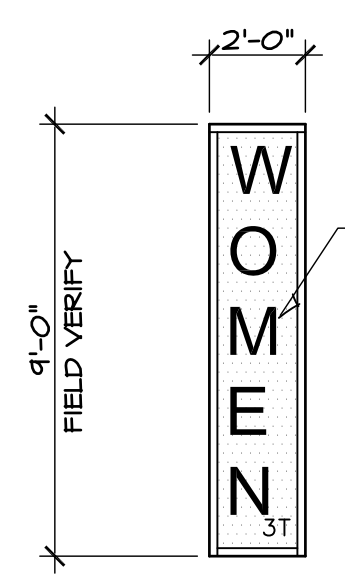
**F'**  
MANKO 1450 SERIES STOREFRONT  
DARK BRONZE ANODIZED FINISH



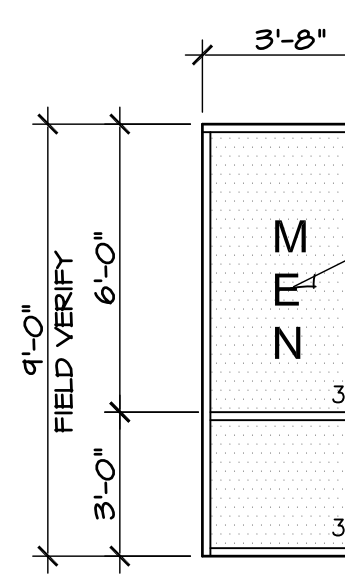
**G**  
MANKO 1450 SERIES STOREFRONT  
DARK BRONZE ANODIZED FINISH



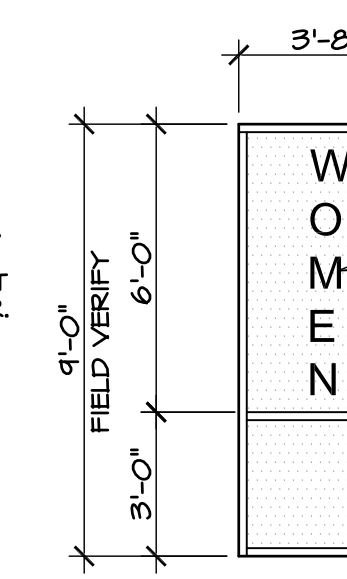
**K**  
MANKO 1450 SERIES STOREFRONT  
DARK BRONZE ANODIZED FINISH



**K'**  
MANKO 1450 SERIES STOREFRONT  
DARK BRONZE ANODIZED FINISH



**K**  
ALTERNATE #5  
MANKO 1450 SERIES STOREFRONT  
DARK BRONZE ANODIZED FINISH

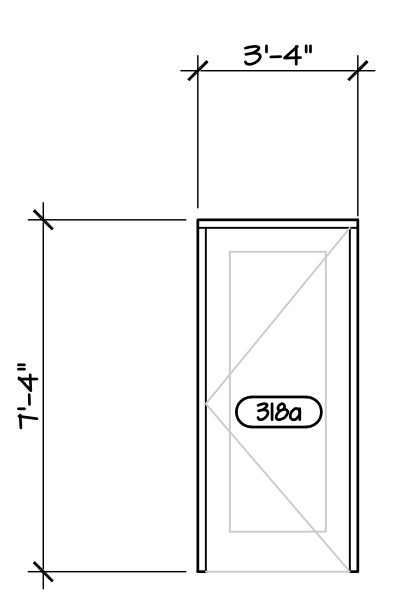


**K'**  
ALTERNATE #5  
MANKO 1450 SERIES STOREFRONT  
DARK BRONZE ANODIZED FINISH

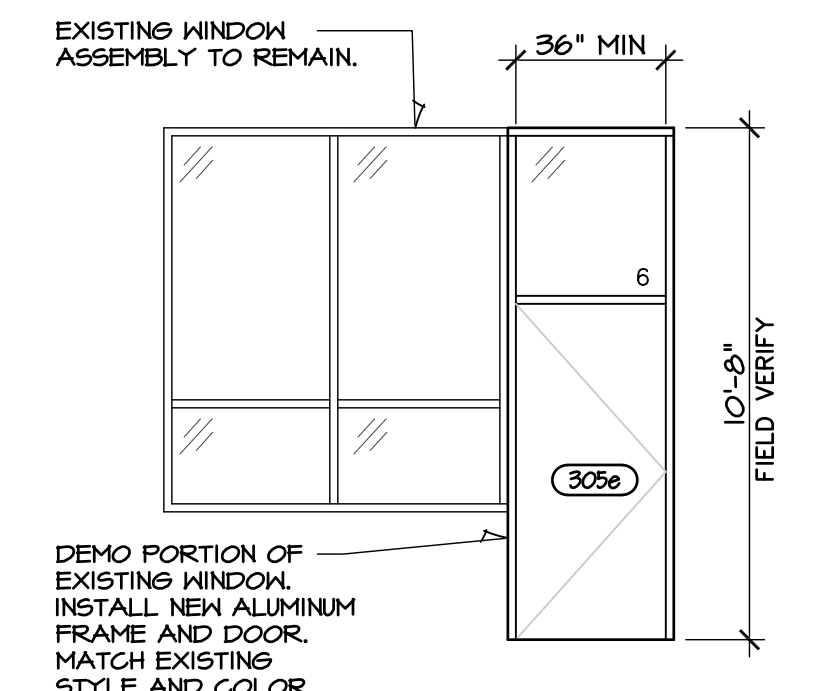


**M**  
MANKO 1450 SERIES STOREFRONT  
DARK BRONZE ANODIZED FINISH

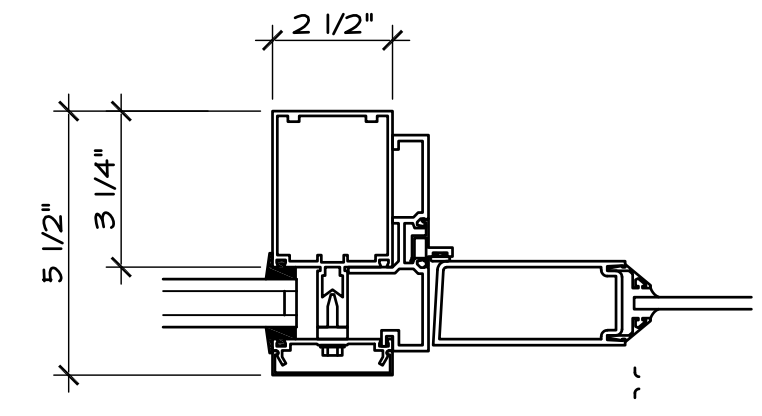
## DETAILS



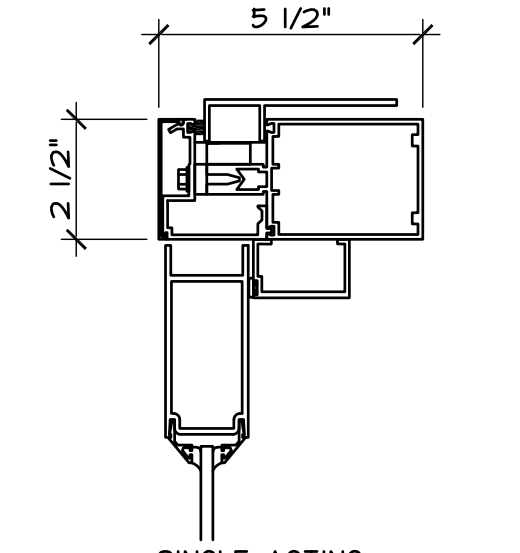
**O**  
MANKO 250 C.W. 4" BACK SERIES  
THERMALLY BROKEN  
DARK BRONZE ANODIZED FINISH



**P**  
MATCH EXISTING MULLION  
THERMALLY BROKEN  
MATCH EXISTING FINISH

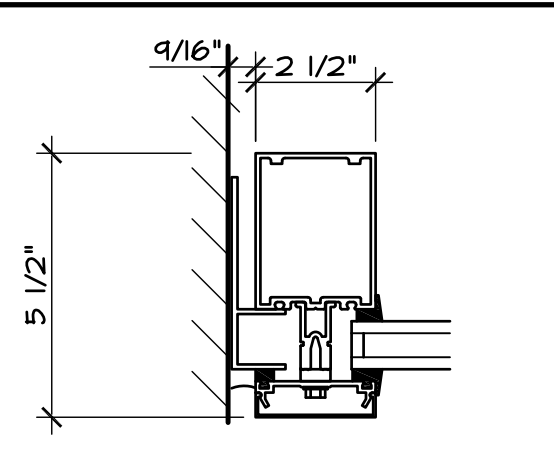


**2**  
SINGLE ACTING  
DOOR JAMB  
1" INFILL- 7-1/2" DEPTH  
TYPICAL  
**DOOR JAMB**  
SCALE: N.T.S.

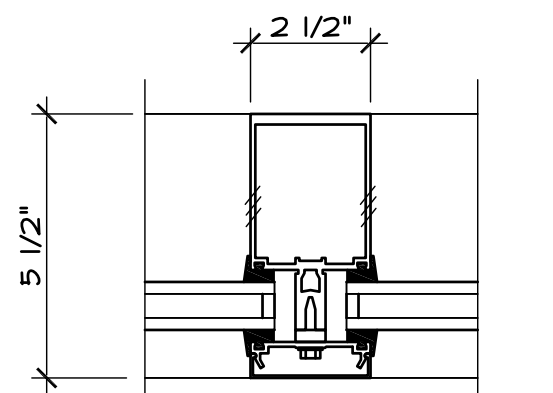


**3**  
SINGLE ACTING  
DOOR HEAD  
1/4" INFILL- 7-1/2" DEPT.  
TYPICAL  
**DOOR HEAD**  
SCALE: N.T.S.

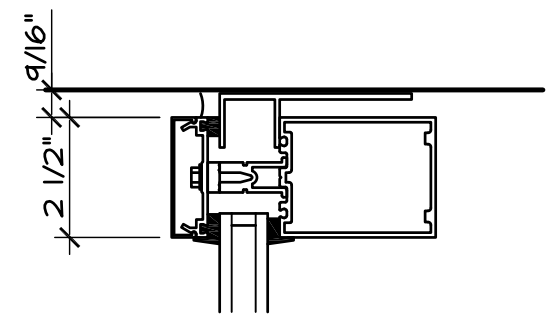
WINDOW WALL CONTRACTOR SHALL PROVIDE MULLION REINFORCING AS REQUIRED FOR PROPER INSTALLATION.



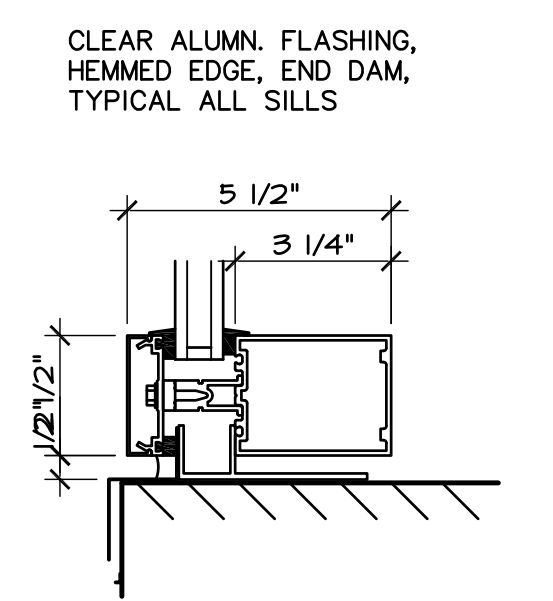
**4**  
JAMB W/ "F" PERIMETER  
1" INFILL-TUBE  
7-1/2" DEPTH  
KAWNEER-1600 SERIES  
OR MANKO 250 SERIES  
THERMALLY BROKEN  
TYPICAL  
**WINDOW JAMB**  
SCALE: N.T.S.



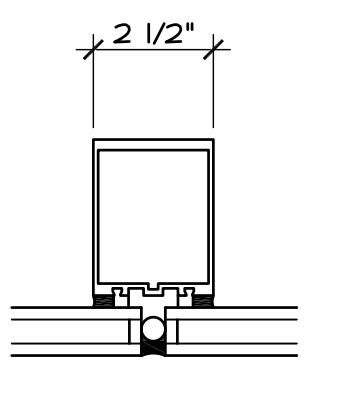
**5**  
VERTICAL MULLION  
1" TO 1" INFILLS  
7-1/2" DEPTH  
KAWNEER-1600 SERIES  
OR MANKO 250 SERIES  
THERMALLY BROKEN  
TYPICAL  
**WINDOW MULL**  
SCALE: N.T.S.



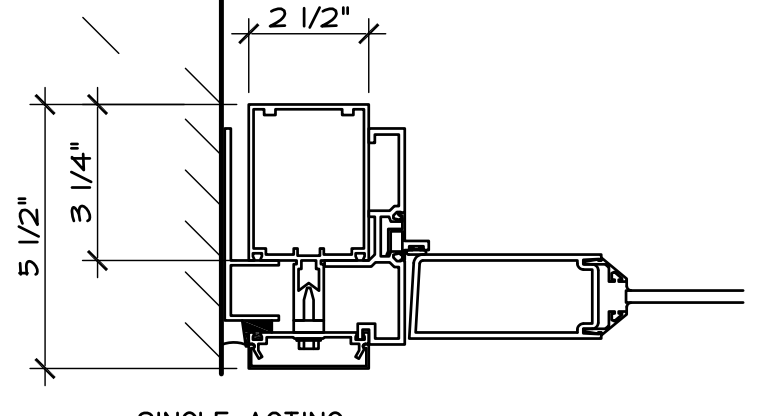
**6**  
HEAD W/ "F" PERIMETER  
1" INFILL-TUBE  
7-1/2" DEPTH  
KAWNEER-1600 SERIES  
OR MANKO 250 SERIES  
THERMALLY BROKEN  
TYPICAL  
**WINDOW HEAD**  
SCALE: N.T.S.



**7**  
CLEAR ALUMN. FLASHING,  
HEMME EDGE, END DAM,  
TYPICAL ALL SILLS  
TYPICAL  
**WINDOW SILL**  
SCALE: N.T.S.



**8**  
HORIZONTAL MULLION  
1" TO 1" INFILLS  
7-1/2" DEPTH  
KAWNEER-1600 SERIES  
OR MANKO 250 SERIES  
THERMALLY BROKEN  
TYPICAL  
**MULLION**  
SCALE: N.T.S.



**9**  
SINGLE ACTING  
DOOR JAMB  
1" INFILL- 7-1/2" DEPTH  
KAWNEER-1600 SERIES  
OR MANKO 250 SERIES  
THERMALLY BROKEN  
TYPICAL  
**DOOR JAMB**  
SCALE: N.T.S.