



HANNEY & ASSOCIATES, ARCHITECTS  
1726 South Hillside, Wichita, Kansas, 67211  
Phone (316) 883-8985  
Fax (316) 884-4411  
www.hanneyarchitects.com

**2019**  
 OXFORD JUNIOR/SENIOR HIGH SCHOOL  
 UNIFIED SCHOOL DISTRICT #358  
 515 N Water St, Oxford, KS 67119

DRAWINGS ISSUED		
NO.	DATE	ITEM ISSUED
8	1/27/20	ADDENDUM # 3
7	2/20/19	ISSUED FOR BIDS
6	12/16/18	98% BOARD REVIEW
5	12/13/18	98% SUBMITTAL
4	9/20/18	50% REVIEW
3	6/10/18	DESIGN DEVELOPMENT
2	5/13/18	SCHEMATIC DESIGN
1	4/8/18	SCHEMATIC DESIGN

COMPUTER DRAWING

DATE: AUGUST, 2019  
DRAWN BY: MH, CH, MB, JC  
CHECKED BY: MRH

SHEET

A3.1

OF 1 SHEETS

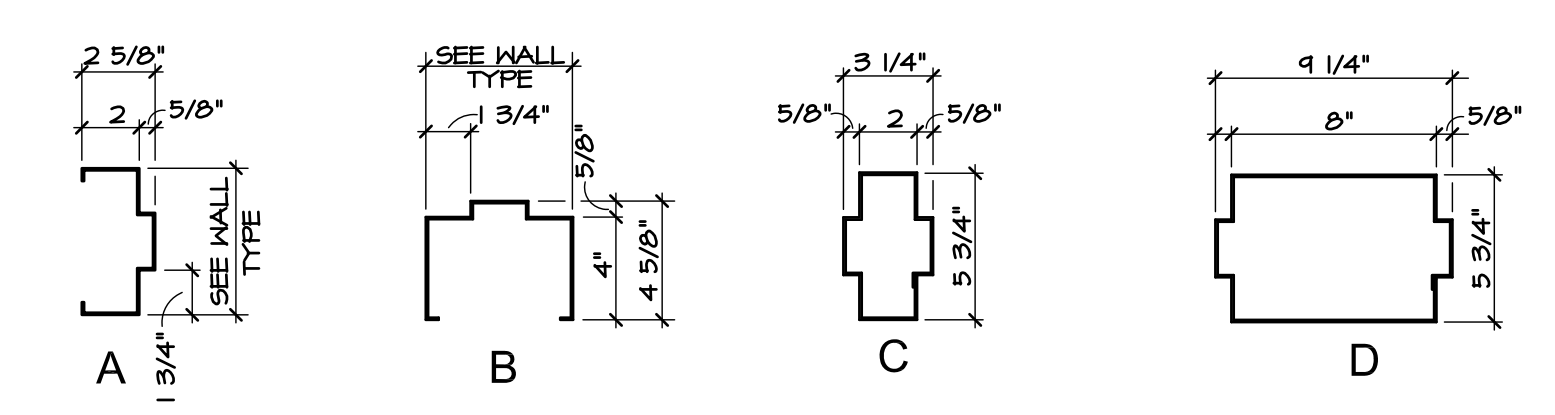
## DOOR SCHEDULE

REVISED VIA ADDENDUM # 3

\* REFER TO SPECIFICATIONS FOR HARDWARE SCHEDULE

DOOR NO.	DOOR					FRAME			FIRE RATING (F.P.&C)	HOW SET NO.	SMOKE GASKET	MAG HOLD OPEN	ELEC DELAY	HOLD OPEN	ELEC ACCESS	LOCK ACCESS	REMARKS
	MATL	TYPE	THK.	WIDTH	HEIGHT	MATL	TYPE	DETAILS									
						HEAD	JAMB	SILL									
101a	H.M.	M3	1-3/4"	3'-0"	7'-10"	H.M.	5F-a	-	-	-	-	-	-	-	-	-	
134a	W.D.	W1	1-3/4"	3'-0"	7'-0"	H.M.	IF-b	-	-	-	-	-	-	-	-	-	
135a	W.D.	W1	1-3/4"	3'-0"	7'-0"	H.M.	IF-a	-	-	-	-	-	-	-	-	-	ALTERNATE #6
136a	W.D.	W1	1-3/4"	3'-0"	7'-0"	H.M.	IF-b	-	-	-	-	-	-	-	-	-	
137a	W.D.	W1	1-3/4"	3'-0"	7'-0"	H.M.	IF-a	-	-	-	-	-	-	-	-	-	ALTERNATE #6
F200a	H.M.	MF2	1-3/4"	6'-0"	7'-0"	H.M.	2FE-b	-	-	-	-	-	-	-	-	-	FEMA DOOR AND FRAME. ADA COMPLIANT PANIC HARDWARE
F200e	H.M.	MF2	1-3/4"	6'-0"	7'-2"	H.M.	2FE-a	-	-	-	-	-	-	-	-	-	FEMA DOOR AND FRAME. ADA COMPLIANT HARDWARE
F200f	H.M.	MF2	1-3/4"	6'-0"	7'-0"	H.M.	2FE-b	-	-	-	-	-	-	-	-	-	FEMA DOOR AND FRAME. ADA COMPLIANT PANIC HARDWARE
F200g	H.M.	MF2	1-3/4"	6'-0"	7'-0"	H.M.	2FE-b	-	-	-	-	-	-	-	-	-	FEMA DOOR AND FRAME. ADA COMPLIANT PANIC HARDWARE
201a	W.D.	W1	1-3/4"	3'-0"	7'-0"	H.M.	IF-b	-	-	-	-	-	-	-	-	-	ADA COMPLIANT PANIC HARDWARE
201b	W.D.	W1	1-3/4"	3'-0"	7'-0"	H.M.	IF-b	-	-	-	-	-	-	-	-	-	ADA COMPLIANT PANIC HARDWARE
205a	W.D.	W1	1-3/4"	3'-0"	7'-0"	H.M.	IF-b	-	-	-	-	-	-	-	-	-	
209a	W.D.	W1	1-3/4"	3'-0"	7'-0"	H.M.	IF-b	-	-	-	-	-	-	-	-	-	ADA COMPLIANT PANIC HARDWARE
211a	ALUM.	A2	1-3/4"	6'-0"	7'-2"	ALUM.	(B)	1/2 / A3.1	1/A3.1	3/A3.1	-	-	-	-	-	-	EMERGENCY EXIT. ADA COMPLIANT PANIC HARDWARE
212a	ALUM.	A2	1-3/4"	6'-0"	7'-0"	ALUM.	(D)	1/2 / A3.1	1/A3.1	3/A3.1	-	-	-	-	-	-	EMERGENCY EXIT. ADA COMPLIANT PANIC HARDWARE
300a	H.M.	M2	1-3/4"	6'-0"	7'-0"	H.M.	2F-b	-	-	-	-	-	-	-	-	-	EMERGENCY EXIT. ADA COMPLIANT PANIC HARDWARE
300b	ALUM.	A2	1-3/4"	6'-0"	7'-2"	ALUM.	(A)	1/2 / A3.1	1/A3.1	3/A3.1	-	-	-	-	-	-	EMERGENCY EXIT. ADA COMPLIANT PANIC HARDWARE
300c	H.M.	M2	1-3/4"	6'-0"	7'-0"	H.M.	2F-a	-	-	-	-	-	-	-	-	-	EMERGENCY EXIT. ADA COMPLIANT PANIC HARDWARE
304a	H.M.	W1	1-3/4"	3'-0"	7'-0"	H.M.	4F-a	-	-	-	-	-	-	-	-	-	FIRE LITE GLASS - RATED ASSEMBLY. ADA PANIC
304b	H.M.	W1	1-3/4"	3'-0"	7'-0"	H.M.	4F-a	-	-	-	-	-	-	-	-	-	CLASSROOM. ADA COMPLIANT PANIC HARDWARE
305a	ALUM.	A4	1-3/4"	3'-0"	7'-0"	ALUM.	(E)	-	-	-	-	-	-	-	-	-	CLASSROOM. ADA COMPLIANT PANIC HARDWARE
305b	H.M.	M1	1-3/4"	6'-0"	7'-0"	H.M.	2F-b	1/2 / A3.1	1/A3.1	3/A3.1	-	-	-	-	-	-	EMERGENCY EXIT. ADA COMPLIANT PANIC HARDWARE
305c	-	-	-	-	-	-	-	-	-	-	-	-	-	-	-	-	NEW OVERHEAD DOOR. FIELD VERIFY OPENING SIZE
305d	-	-	-	-	-	-	-	-	-	-	-	-	-	-	-	-	RELOCATED OVERHEAD DOOR. FIELD VERIFY OPENING SIZE.
305e	ALUM.	A3	1-3/4"	3'-0"	7'-0"	ALUM.	(P)	1/2 / A3.1	1/A3.1	3/A3.1	-	-	-	-	-	-	NEW DOOR INTO EXISTING EXTERIOR WINDOW. ADA COMPLIANT PANIC HARDWARE
313a	W.D.	W1	1-3/4"	3'-0"	7'-0"	H.M.	IF-a	-	-	-	-	-	-	-	-	-	RESTROOM
318a	ALUM.	A1	1-3/4"	3'-0"	7'-2"	ALUM.	(O)	1/2 / A3.1	1/A3.1	3/A3.1	-	-	-	-	-	-	EMERGENCY EXIT. ADA COMPLIANT PANIC HARDWARE
319a	H.M.	W1	1-3/4"	3'-0"	7'-0"	H.M.	4F-a	-	-	-	-	-	-	-	-	-	CLASSROOM.
319b	H.M.	M1	1-3/4"	3'-0"	7'-0"	H.M.	IF-b	1/2 / A3.1	1/A3.1	3/A3.1	-	-	-	-	-	-	EMERGENCY EXIT. ADA COMPLIANT PANIC HARDWARE
319c	H.M.	M2	1-3/4"	6'-0"	7'-0"	H.M.	2F-b	-	-	-	-	-	-	-	-	-	CLASSROOM.
323a	H.M.	M1	FIELD VERIFY	-	-	EXISTING	-	1/2 / A3.1	1/A3.1	3/A3.1	-	-	-	-	-	-	EXISTING FRAME TO REMAIN. NEW SLAB & PANIC HARDWARE
323b	REMOVE EXISTING DOOR SLAB						EXISTING FRAME TO REMAIN.										
323c	REMOVE EXISTING DOOR SLAB						EXISTING FRAME TO REMAIN.										
325a	W.D.	W1	1-3/4"	3'-0"	7'-0"	H.M.	IF-a	-	-	-	-	-	-	-	-	-	OFFICE
326a	H.M.	W1	1-3/4"	3'-0"	7'-0"	H.M.	4F-a	-	-	-	-	-	-	-	-	-	CLASSROOM.
327a	W.D.	W1	1-3/4"	3'-0"	7'-0"	H.M.	IF-a	-	-	-	-	-	-	-	-	-	RESTROOM
404a	W.D.	W1	MATCH EXIST			EXISTING FRAME TO REMAIN.											
404a	W.D.	W1	MATCH EXIST			EXISTING FRAME TO REMAIN.											
500a	EXISTING DOOR SLAB REMAIN						EXISTING FRAME TO REMAIN.										
500b	EXISTING DOOR SLAB REMAIN						EXISTING FRAME TO REMAIN.										
502a	W.D.	W1	1-3/4"	3'-0"	7'-0"	H.M.	IF-a	-	-	-	-	-	-	-	-	-	STORAGE
504a	EXISTING DOOR SLAB REMAIN						EXISTING FRAME TO REMAIN.										
509a	EXISTING DOOR SLAB REMAIN						EXISTING FRAME TO REMAIN.										
509b	H.M.	M1	1-3/4"	3'-0"	7'-0"	H.M.	IF-b	1/2 / A3.1	1/A3.1	3/A3.1	-	-	-	-	-	-	BOILER ACCESS
517a	W.D.	W1	1-3/4"	3'-0"	7'-0"	H.M.	IF-a	-	-	-	-	-	-	-	-	-	STORAGE
520a	W.D.	W1	1-3/4"	3'-0"	7'-0"	H.M.	IF-a	-	-	-	-	-	-	-	-	-	STORAGE
ALTERNATE #5																	
519a	W.D.	W1	1-3/4"	3'-0"	7'-0"	H.M.	IF-a	-	-	-	-	-	-	-	-	-	STORAGE
521a	W.D.	W1	1-3/4"	6'-0"	7'-0"	H.M.	2F-a	-	-	-	-	-	-	-	-	-	STORAGE

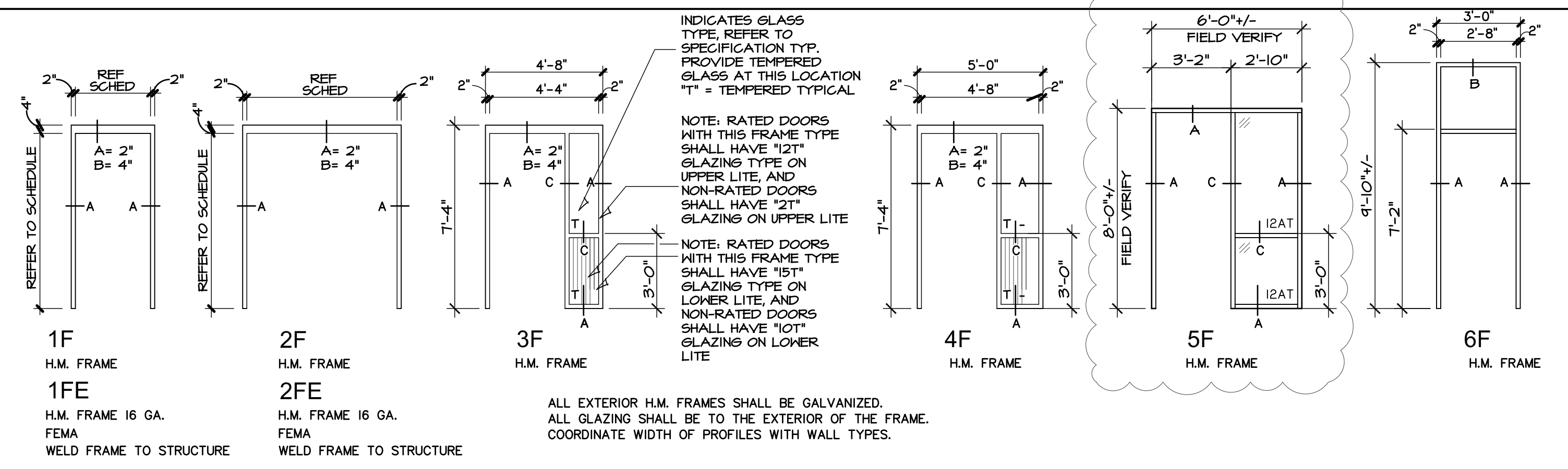
## H.M. - FRAME PROFILES



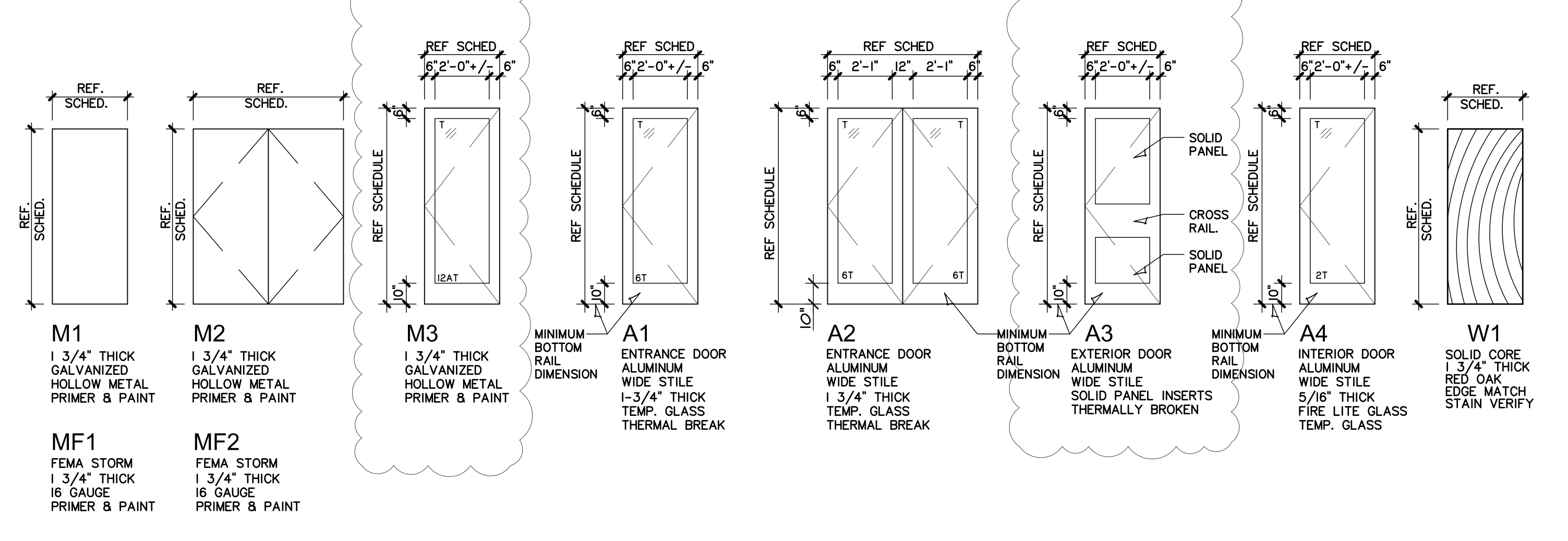
## GENERAL NOTES

- WEATHER STRIPPING BY ALUM. DOOR SUPPLIER
- ALL HOLLOW METAL FRAMES IN CMU ARE TO HAVE A 4" HEAD.

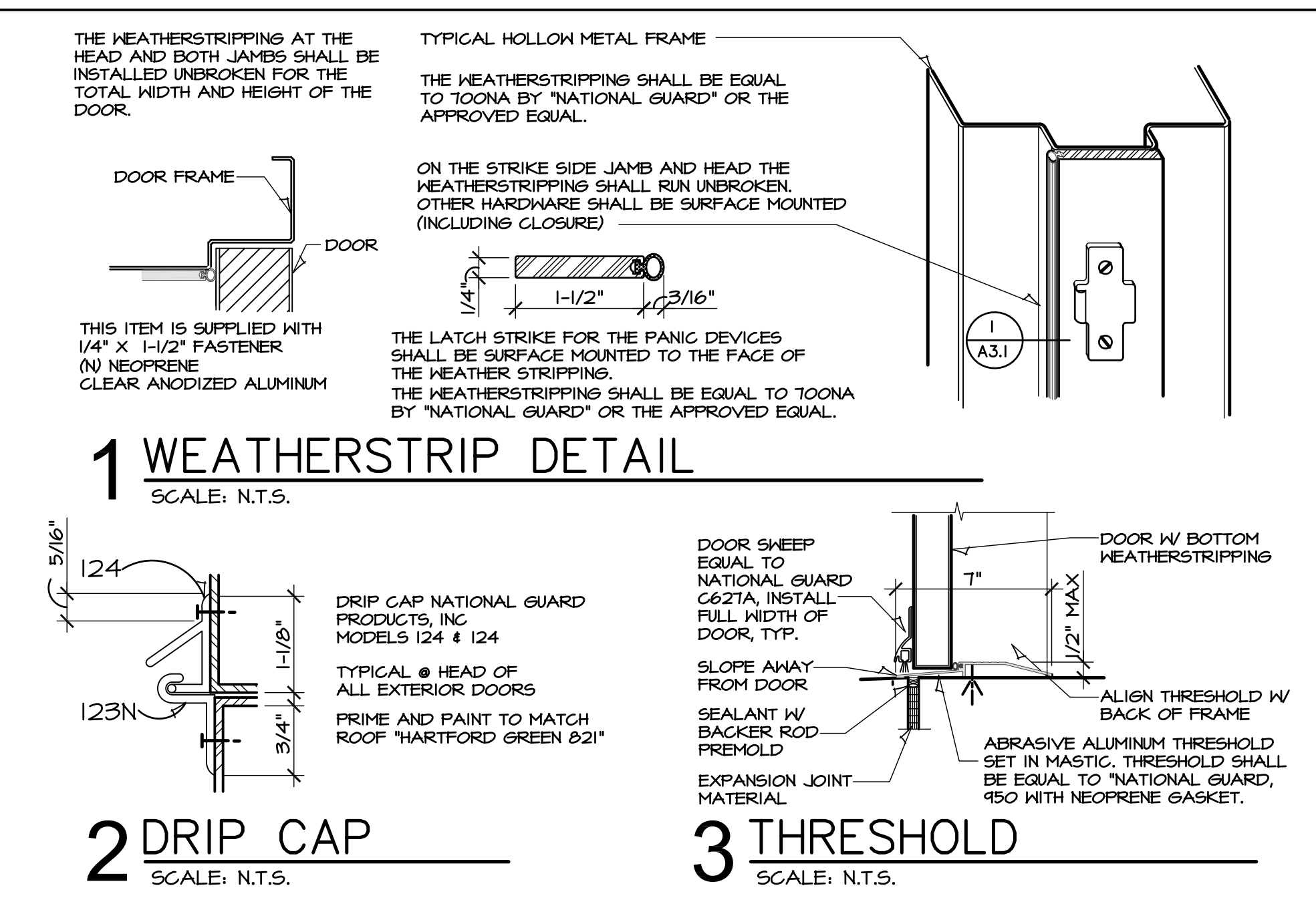
## HOLLOW METAL FRAME TYPES



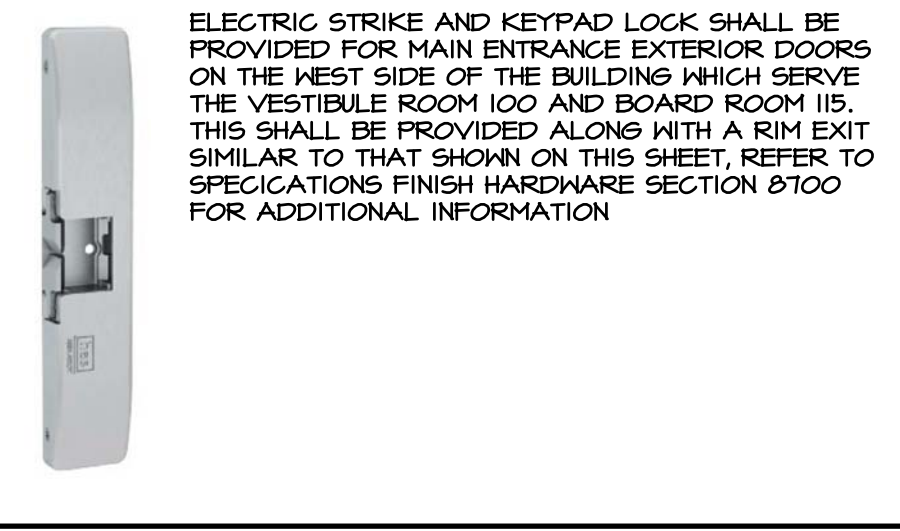
## DOOR TYPES



## HARDWARE DETAILS



## ELECTRIC STRIKE LOCK



## KEYPAD RIM EXIT



## DETAILS

### OCCUPANCY INDICATOR - SINGLE TOILET ROOMS

ELECTRICAL CONTRACTOR SHALL PROVIDE AND INSTALL A PARTIAL DOOR BELL SYSTEM AT EACH SINGLE USER RESTROOM. THE DOORBELL BUTTON IS THE OCCUPIED LIGHT. BLUE SHALL BE USED "MENS" AND AMBER FOR "WOMENS". THE DOORBELL BUTTON SHALL BE CENTERED OVER THE DOOR, AND APPROXIMATELY 12" ABOVE THE DOOR FRAME. THE EXACT LOCATION SHALL BE VERIFIED WITH THE ARCHITECT PRIOR TO ROUGH IN. THIS WORK SHALL INCLUDE THE DOOR BELL BUTTON SPECIFIED, AND NEW TRANSFORMER. NO CHIME IS REQUIRED FOR THE OCCUPANCY LIGHT SYSTEM.

THE ELECTRICAL CONTRACTOR SHALL PROVIDE THE MATERIALS AND LABOR FOR THE COMPLETE AND OPERATIONAL DOOR BELL SYSTEM.

NO EXCEPTIONS OR SUBSTITUTIONS ON THE DOOR BELL BUTTON.



DE-LIGHT DOORBELL BUTTON, WITH AMBER OR BLUE COLORED LED GLOW. COLOR AS DESIGNATED BY ARCHITECT. ALUMINUM CONSTRUCTION. WWW.SPOREDORBELLS.COM



NEW 16V DOORBELL TRANSFORMER. FIELD VERIFY THE EXACT LOCATION TIE INTO LIGHT SWITCH (ENERGIZES WHEN LIGHT IS ON)

### DOOR BELL SYSTEM - ENTRANCE

ELECTRICAL CONTRACTOR SHALL PROVIDE AND INSTALL A DOOR BELL SYSTEM AT VESTIBULE 100 EXISTING DOOR ON THE WEST SIDE OF THE BUILDING. PROJECT SHALL INCLUDE THE DOOR BELL BUTTON SPECIFIED, NEW TRANSFORMER, AND NEW DOOR BELL CHIME AS SPECIFIED BELOW.

THE ELECTRICAL CONTRACTOR SHALL PROVIDE THE MATERIALS AND LABOR FOR THE COMPLETE AND OPERATIONAL DOOR BELL SYSTEM.

NO EXCEPTIONS OR SUBSTITUTIONS ON THE DOOR BELL BUTTON.



TRUE DOORBELL BUTTON, BLACK COLOR, WITH AMBER COLORED LED GLOW. ALUMINUM CONSTRUCTION. SPORE MODEL TDB-A-BK. WWW.SPOREDORBELLS.COM



16V DOORBELL TRANSFORMER. FIELD VERIFY THE EXACT LOCATION AND MOUNTING.



2-NOTE ELECTRIC DOOR CHIME, MODEL #C4M1, INTERNET # 206473654. SUPPLIED BY HOME DEPOT \$14.92 LIST PRICE, WHITE COLORED HOUSING.