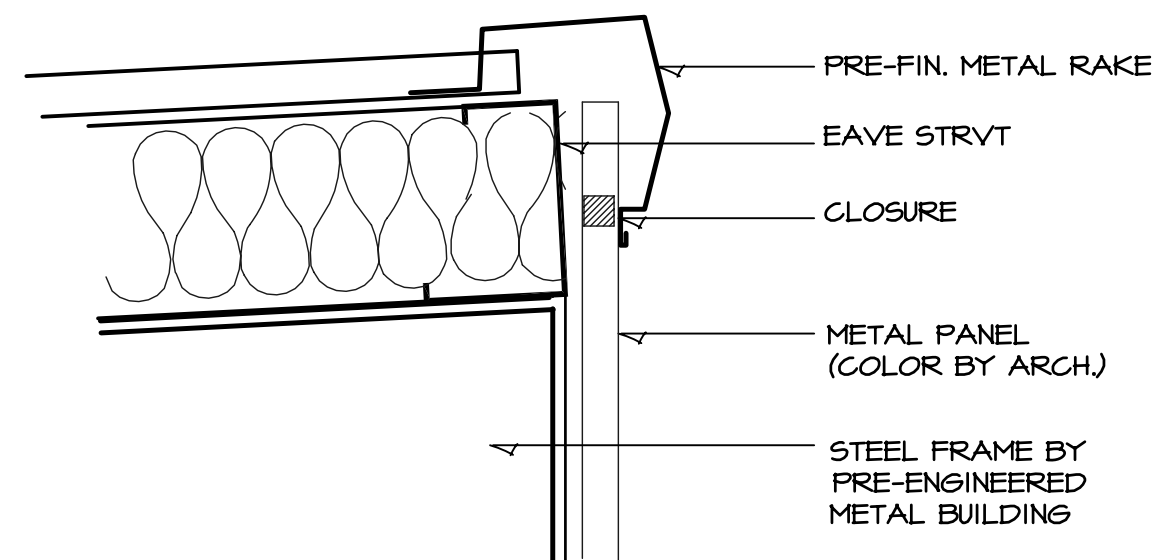
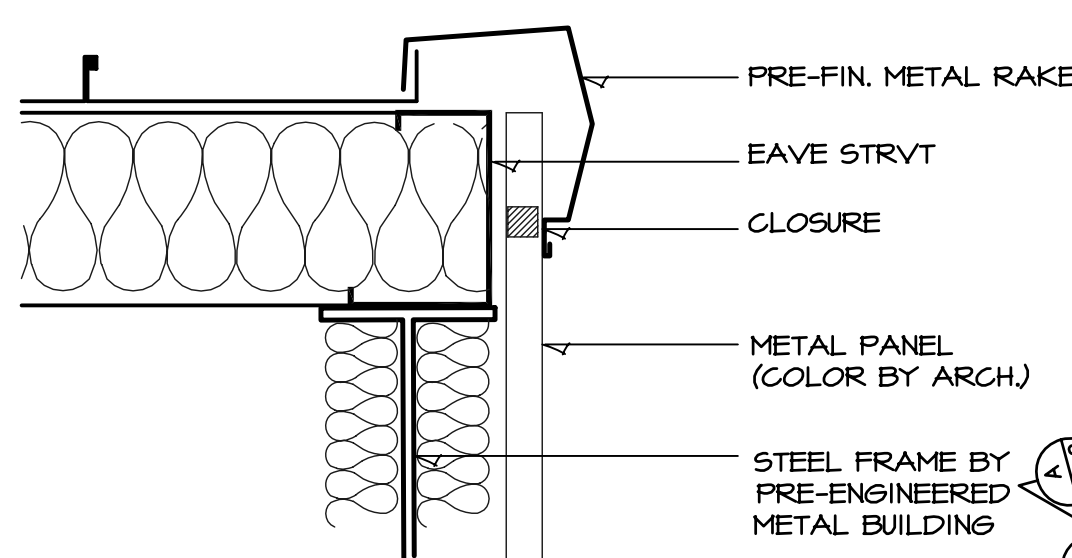


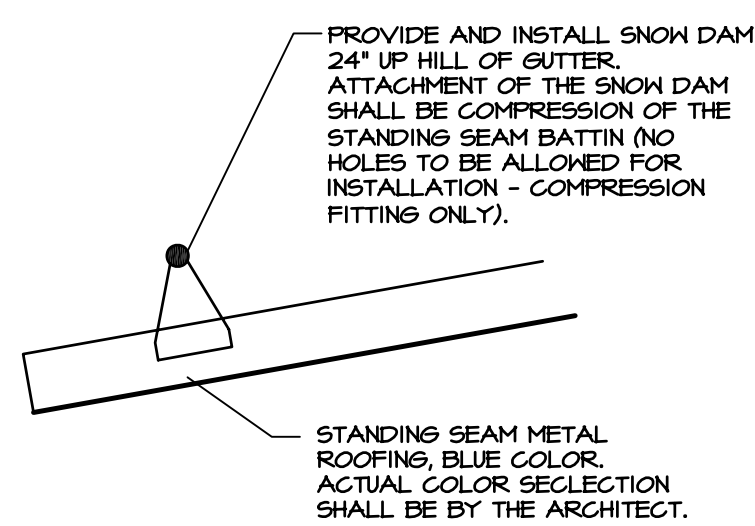
**1 ROOF DETAIL**  
SCALE: 1" = 1'-0"



**2 ROOF RIDGE DETAIL**  
SCALE: 1" = 1'-0"

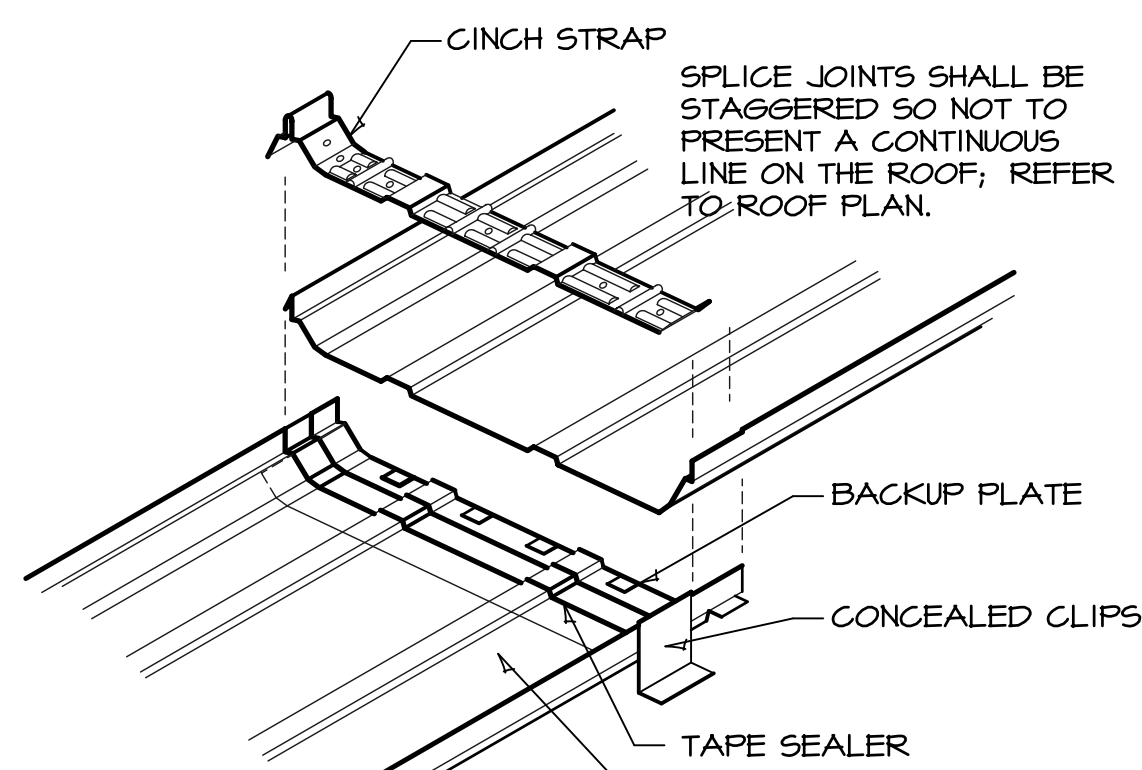


**3 ROOF RAKE DETAIL**  
SCALE: 1" = 1'-0"

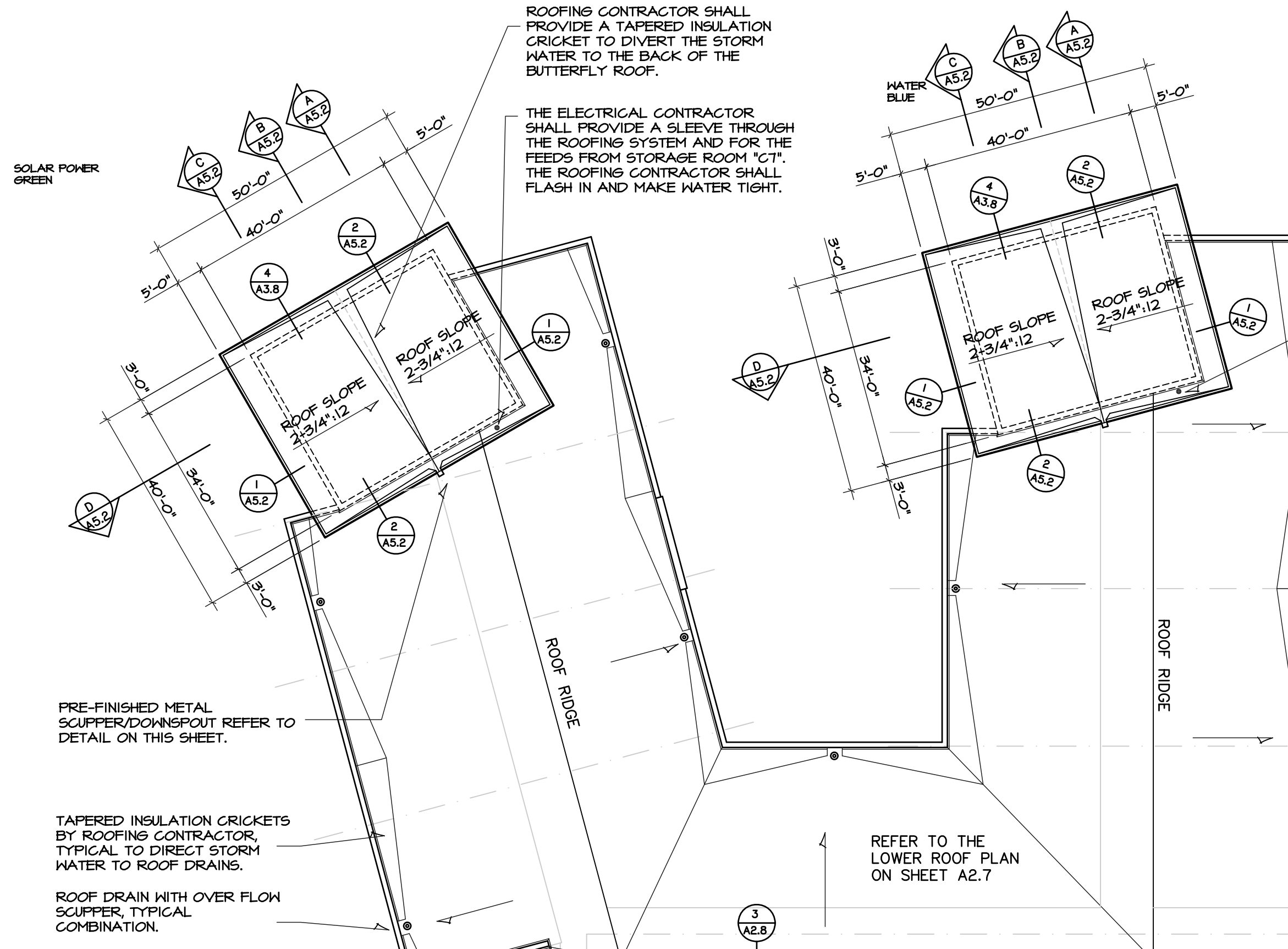


**4 SNOW/ICE DAM DETAIL**  
SCALE: 1" = 1'-0"

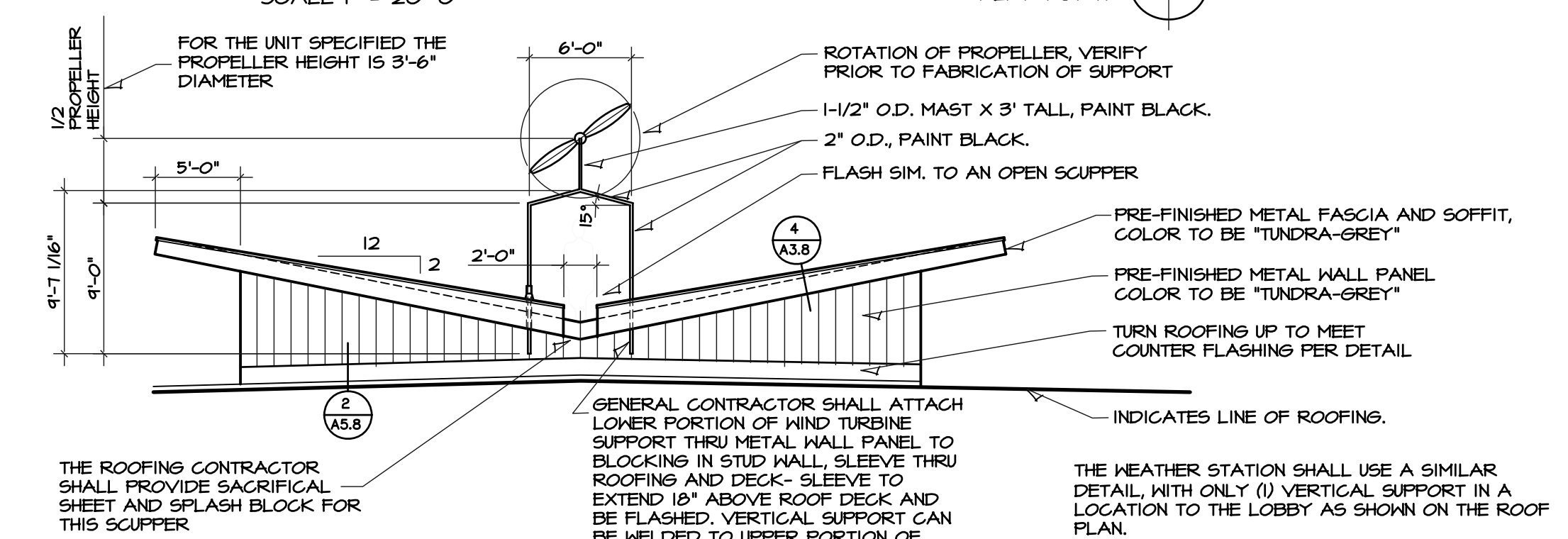
THE LENGTH OF THE METAL ROOFS WILL REQUIRE THE STANDING SEAM PANELS TO BE SPLICED. THE CONNECTIONS SHALL BE STAGGER 4" BETWEEN PANELS. THE PANEL CONFIGURATION MAY BE DIFFERENT FROM THAT SHOWN IN THIS DETAIL. THE ROOFING SUPPLIER SHALL SUBMIT LAP SEAM, FASCIA, AND GUTTER DETAILS TO THE ARCHITECT TO REVIEW WITH THE SHOP DRAWINGS.



**5 STANDING SEAM DETAIL**  
SCALE: N.T.S.



**A UPPER ROOF PLAN**  
SCALE 1" = 20'-0"



**6 WIND TURBINE SUPPORT**  
SCALE 1/8" = 1'-0"



5/3/07  
HANNEY & ASSOCIATES, ARCHITECTS  
1726 South Hillside, Wichita, Kansas, 67211  
Phone (316) 683-8865  
Fax (316) 684-1441

**2007**  
 NEW ST. GEORGE ELEMENTARY SCHOOL  
 ROCK CREEK - UNIFIED SCHOOL DISTRICT 323  
 BLACKJACK & MILITARY TRAIL

DRAWINGS ISSUED		
NO.	DATE	ITEM ISSUED
10	4/30	FOR BIDS
9	4/20	CHECK SET
8	4/14	BOE REVIEW
7	3/14	BOE REVIEW
6	2/14	BOE REVIEW
5	1/10	BOE REVIEW
4	12/21	REVIEW
3	12/13	REVIEW
2	06/20	REVIEW
1	01/27	REVIEW

COMPUTER DRAWING  
323aA208.DWG

DATE: APRIL 30, 2007  
DRAWN BY: CH TH JP MH  
CHECKED BY: MH

SHEET  
**A2.8**  
OF SHEETS