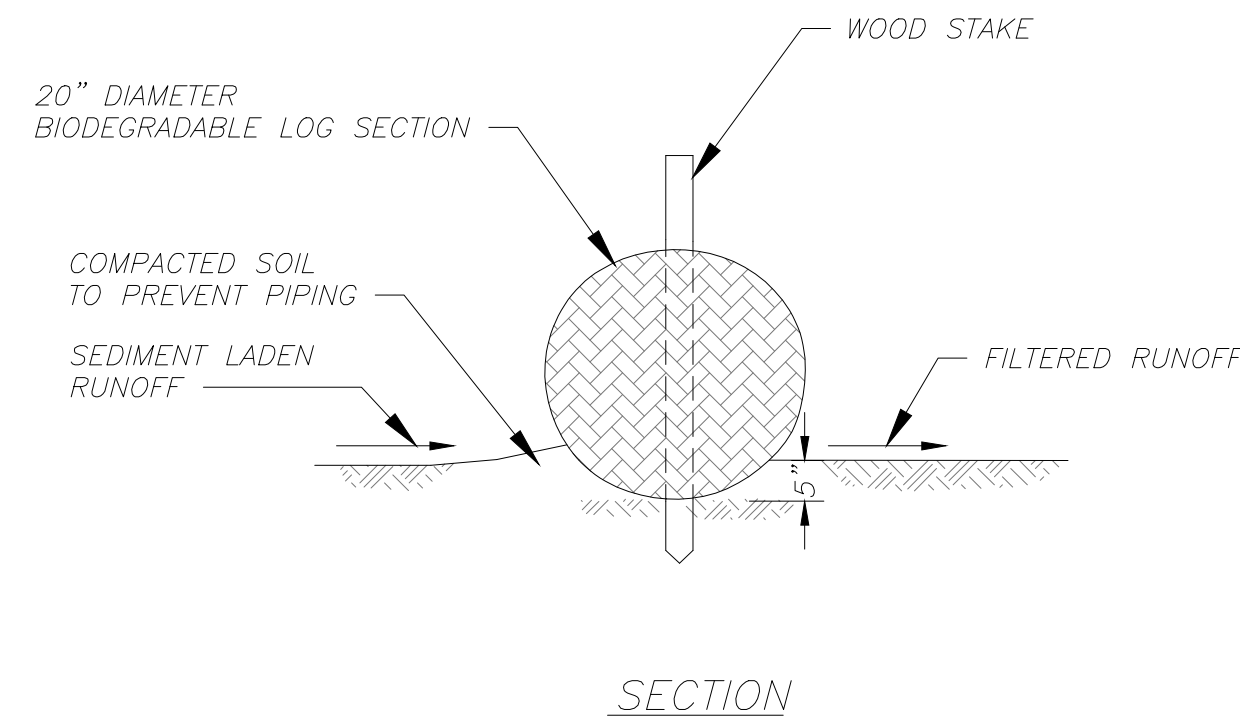
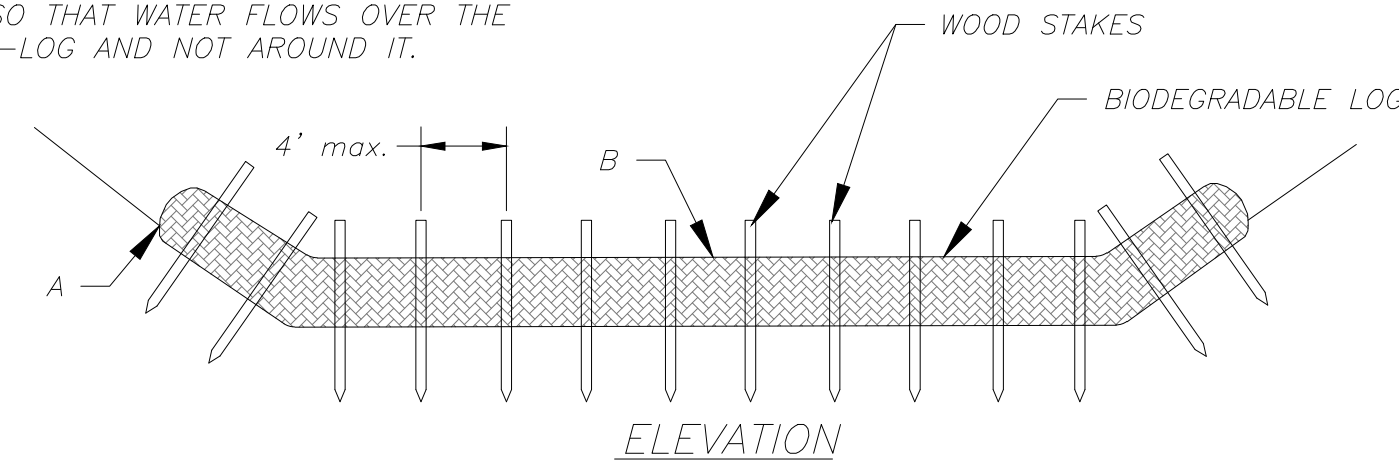


NOTE:
POINT A MUST BE HIGHER THAN POINT B SO THAT WATER FLOWS OVER THE BIO-LOG AND NOT AROUND IT.



A BIOGRADABLE LOG DITCH CHECK DETAIL
NTS

MATERIAL SPECIFICATIONS

BIO-LOG CHECK SHALL BE CONSTRUCTED OF AN OPEN MESH FABRIC AND FILLED WITH 100% SHREDDED MULCH OR OTHER NON-COMPOST BIODEGRADABLE MATERIAL. THE POSTS USED TO SUPPORT THE BIO-LOG CHECK SHALL BE OF HARD WOOD MATERIAL AND OF NOMINAL DIMENSIONS OF 2"x2"x4'-0".

PLACEMENT

BIO-LOG CHECK SHALL BE PLACED PERPENDICULAR TO THE FLOW LINE OF THE DITCH. THE BIO-LOG CHECK SHALL EXTEND FAR ENOUGH SO THAT THE GROUND LEVEL AT THE ENDS OF THE CHECK IS ABOVE THE TOP OF THE LOWEST POINT OF THE BIO-LOG. USE AS MANY BIODEGRADABLE LOG SECTIONS AS NECESSARY TO ENSURE WATER DOES NOT FLOW AROUND THE END OF THE DITCH CHECK. OVERLAP SECTIONS A MINIMUM OF 18".

THE FOLLOWING TABLE PROVIDES DITCH CHECK SPACING FOR A GIVEN GRADE:

DITCH GRADE (%)	SPACING OF CHECKS (FEET)
0.5	200
1.0	200
2.0	100
3.0	65
4.0	50
5.0	40
6.0	30

BIO-LOG CHECKS ARE RECOMMENDED FOR DITCH SLOPES OF 6% OR LESS, FOR GRADES OF GREATER THAN 6% ROCKS CHECKS SHOULD BE USED.

PROPER INSTALLATION METHODS

EXCAVATE A TRENCH PERPENDICULAR TO THE FLOW LINE OF THE DITCH 5 INCHES DEEP AND A BIO-LOG WIDTH (MINIMUM) THE ENTIRE LENGTH OF THE PROPOSED DITCH CHECK PLACING THE SOIL ON THE UPSTREAM SIDE OF THE TRENCH. INSTALL WOOD POSTS, MINIMUM 4' SPACING.

LIST OF PLACEMENT/INSTALLATION MISTAKES TO AVOID

NEVER PLACE BIO-LOG CHECKS DIRECTLY IN FRONT OF A CULVERT AS THE BIO-LOG WILL NOT WITHSTAND THE CONCENTRATED FLOWS.

DO NOT PLACE BIO-LOG CHECKS IN CHANNELS WITH SHALLOW SOILS UNDERLAIN WITH ROCK AS THEY WILL NOT BE ANCHORED PROPERLY AND WILL WASH OUT.

BIO-LOG CHECKS MUST BE DUG INTO THE GROUND AS BIO-LOGS AT GROUND LEVEL ALLOW WATER TO FLOW UNDER THE CHECK.

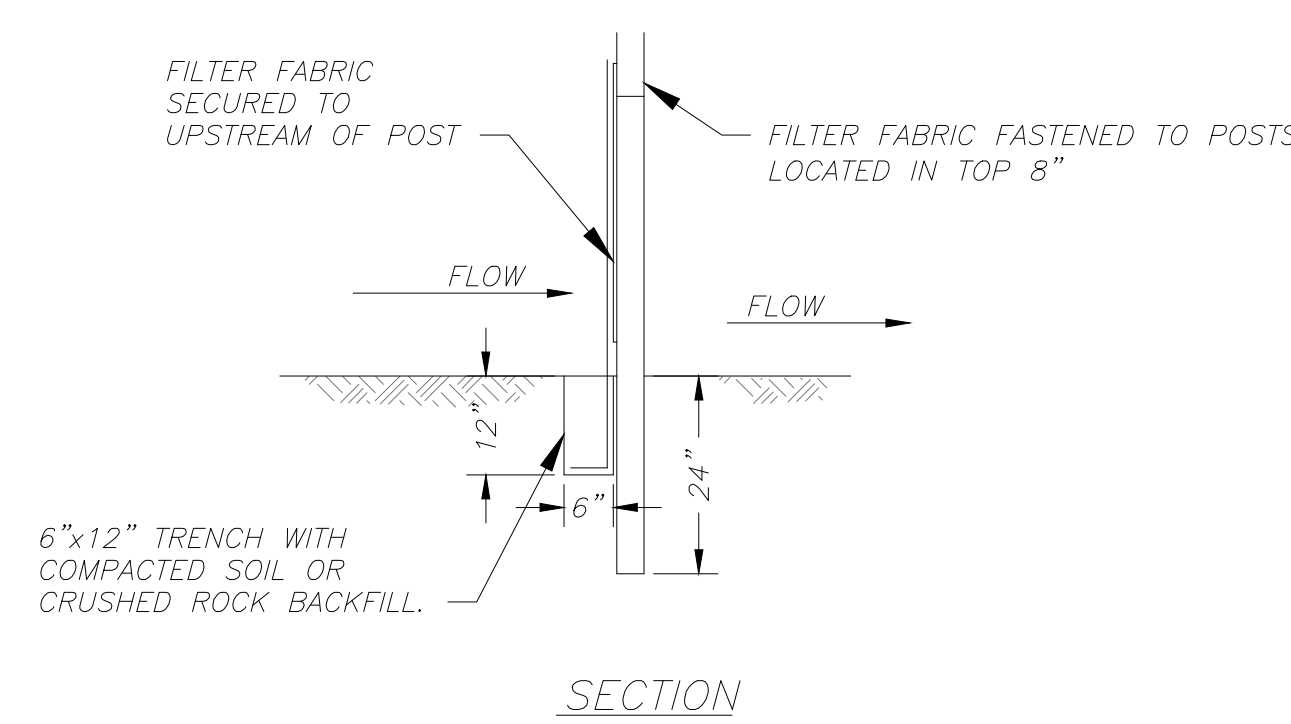
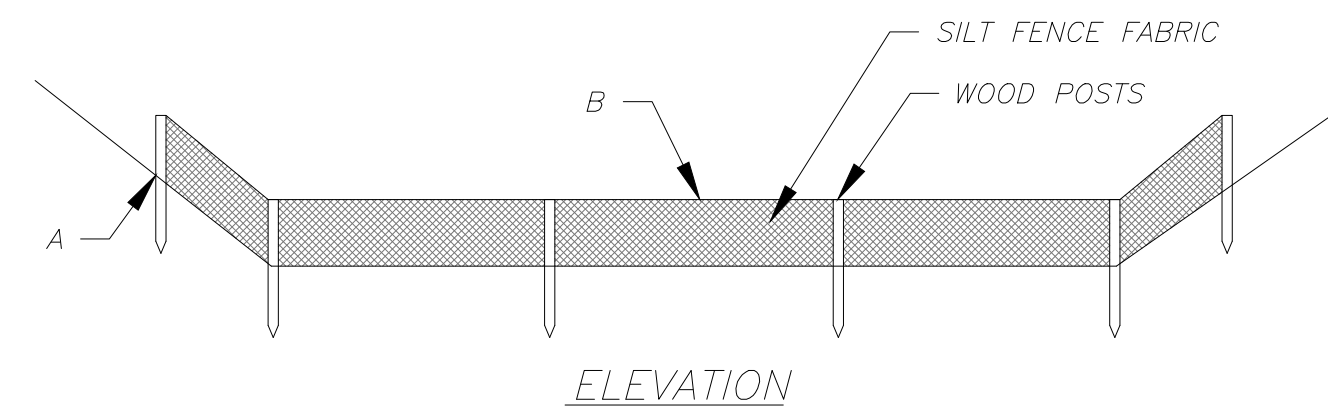
INSPECTION AND MAINTENANCE:

BIO-LOG CHECKS SHOULD BE INSPECTED EVERY 7 DAYS AND WITHIN 24 HOUR OF RAINS OF 1/2 INCH OR MORE.

THE FOLLOWING QUESTIONS SHOULD BE ADDRESSED DURING EACH INSPECTION:

- DOES WATER FLOW AROUND THE DITCH CHECK?
- DOES WATER FLOW UNDER THE DITCH CHECK?
- IS THE BIO-LOG TORN OR DETACHED FROM THE POSTS?
- DOES THE SEDIMENT NEED TO BE REMOVED FROM BEHIND THE DITCH CHECK?

NOTE:
POINT A MUST BE HIGHER THAN POINT B SO THAT WATER FLOWS THROUGHOUT OR OVER THE SILT FENCE FABRIC AND NOT AROUND IT.



B SILT FENCE DITCH CHECK DETAIL
NTS

MATERIAL SPECIFICATIONS

SILT FENCE FABRIC AND WIRE OR POLYMERIC MESH BACKING SHALL CONFORM TO AASTHO M288 96 SILT FENCE SPECIFICATIONS. THE POSTS USED TO SUPPORT THE SILT FENCE MATERIAL SHALL BE OF HARD WOOD MATERIAL AND OF NOMINAL DIMENSIONS OF 2"x2"x4'-0". SILT FENCE MATERIAL MAY BE FASTENED TO THE WOOD POSTS WITH STAPLES, WIRE AND OR NAILS.

PLACEMENT

PLACE SILT FENCE CHECKS IN DITCHES WHERE IT IS UNLIKELY THEY WILL BE OVERTOPPED. WATER SHOULD FLOW THROUGH THE SILT FENCE CHECK, NOT OVER IT. SILT FENCE CHECKS SHALL BE PLACED PERPENDICULAR TO THE FLOW LINE OF THE DITCH. THE SILT FENCE CHECK SHALL EXTEND FAR ENOUGH SO THAT GROUND LEVEL AT THE ENDS IS ABOVE IS ABOVE THE TOP OF THE FENCE AT THE LOW POINT. THE FOLLOWING TABLE PROVIDES DITCH CHECK SPACING FOR A GIVEN GRADE:

DITCH GRADE (%)	SPACING OF CHECKS (FEET)
0.5	200
1.0	200
2.0	100
3.0	65
4.0	50
5.0	40
6.0	30

SILT FENCE CHECK ARE RECOMMENDED FOR DITCH SLOPES OF 6% OR LESS, FOR GRADES OF GREATER THAN 6% ROCKS CHECKS SHOULD BE USED.

PROPER INSTALLATION METHODS

EXCAVATE A TRENCH PERPENDICULAR TO THE FLOW LINE OF THE DITCH 12 INCHES DEEP AND 6 INCHES WIDE (MINIMUM) THE ENTIRE LENGTH OF THE PROPOSED DITCH CHECK PLACING THE SOIL ON THE UPSTREAM SIDE OF THE TRENCH. ROLL OUT A CONTINUOUS LENGTH OF MATERIAL ON THE DOWNSTREAM SIDE OF THE TRENCH AND PLACE MATERIAL OVER THE TRENCH, BACKFILL AND COMPACT AS SHOWN IN THE ANCHOR TRENCH DETAIL LEAVING 24 TO 36 INCHES OF MATERIAL EXPOSED. THEN LAY THE EXPOSED MATERIAL ON THE UPSTREAM SIDE OF THE TRENCH AND INSTALL WOOD POST NO MORE THAN 4 FEET APART ON THE DOWNSTREAM SIDE OF THE TRENCH. ATTACH THE SILT FENCE AND BACKING TO THE POSTS WITH STAPLES, WIRE OR NAILS.

LIST OF PLACEMENT/INSTALLATION MISTAKES TO AVOID

PLACE SILT FENCE DITCH CHECKS SO THAT WATER FLOWS THROUGH THE FENCE, NOT OVER OR AROUND IT. DO NOT PLACE POST ON THE UPSTREAM SIDE OF THE FABRIC. NEVER PLACE SILT FENCE CHECKS DIRECTLY IN FRONT OF A CULVERT AS THE FENCE WILL NOT WITHSTAND THE CONCENTRATED FLOWS.

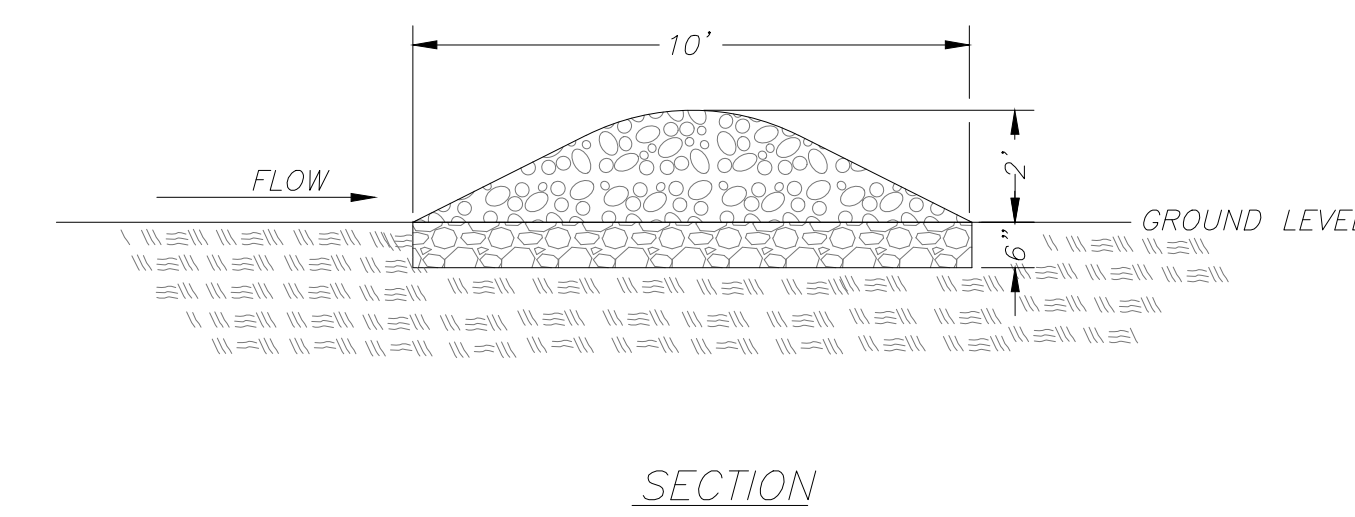
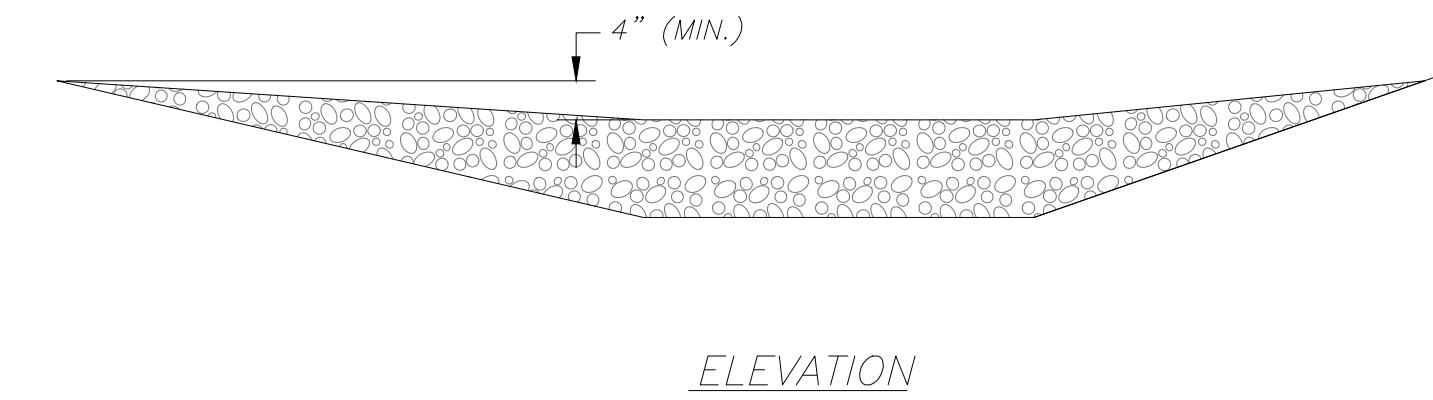
DO NOT PLACE SILT FENCE CHECK IN CHANNELS WITH SHALLOW SOILS UNDERLAIN WITH ROCK AS THE WILL NOT BE ANCHORED PROPERLY AND WILL WASH OUT.

INSPECTION AND MAINTENANCE:

SILT FENCE CHECK SHOULD BE INSPECTED EVERY 7 DAYS AND WITHIN 24 HOUR OF RAINS OF 1/2 INCH OR MORE.

THE FOLLOWING QUESTIONS SHOULD BE ADDRESSED DURING EACH INSPECTION:

- DOES WATER FLOW AROUND THE DITCH CHECK?
- DOES WATER FLOW UNDER THE DITCH CHECK?
- IS THE SILT FENCE SAGGING EXCESSIVELY?
- IS THE SILT FENCE TORN OR DETACHED FROM THE POSTS?
- DOES THE SEDIMENT NEED TO BE REMOVED FROM BEHIND THE DITCH CHECK?



C ROCK DITCH CHECK DETAIL
NTS

MATERIAL SPECIFICATIONS

ROCK FOR ROCK DITCH CHECK SHALL BE CLEAN AGGREGATE, D50 = 6"

AGGREGATE EXCAVATED ON SITE MAY BE USED AS AN ALTERNATE THE 6" ROCK, IF APPROVED BY THE ENGINEER.

PLACEMENT

DO NOT USE ROCK DITCH CHECKS IN CLEAR ZONE.

PLACE ROCK ROCK IN SUCH MANNER THAT WATER WILL FLOW OVER, NOT AROUND DITCH CHECK.

THE FOLLOWING TABLE PROVIDES DITCH CHECK SPACING FOR A GIVEN GRADE:

DITCH GRADE (%)	SPACING OF CHECKS (FEET)
5.0	60
6.0	50
7.0	43
8.0	36
9.0	33
10.0	29

NOTE: USE THIS SPACING ONLY FOR ROCK DITCH CHECKS.

PROPER INSTALLATION METHODS

THE DITCH AREA SHALL BE RESHAPED TO FILL ANY ERODED AREAS. PRIOR TO PLACEMENT OF THE ROCK, THE DITCH SHALL BE EXCAVATED TO THE DIMENSIONS OF THE ROCK DITCH CHECK AND TO A MINIMUM DEPTH OF 6".

AFTER PLACEMENT OF THE ROCK, BACKFILL AND COMPACT ANY OVER EXCAVATED SOIL TO DITCH GRADE.

LIST OF PLACEMENT/INSTALLATION MISTAKES TO AVOID

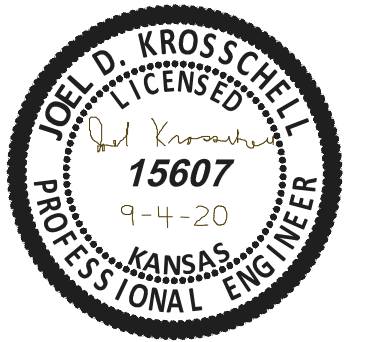
PLACE ROCK DITCH CHECKS SO THAT WATER FLOWS OVER, NOT OVER OR AROUND IT. DO NOT PLACE POST ON THE UPSTREAM SIDE OF THE FABRIC.

INSPECTION AND MAINTENANCE:

ROCK DITCH CHECK SHOULD BE INSPECTED EVERY 7 DAYS AND WITHIN 24 HOUR OF RAINS OF 1/2 INCH OR MORE.

THE FOLLOWING QUESTIONS SHOULD BE ADDRESSED DURING EACH INSPECTION:

- DOES WATER FLOW AROUND THE DITCH CHECK?
- DOES WATER FLOW UNDER THE DITCH CHECK?
- HAVE THE ROCKS BEEN DISPLACED?
- DOES THE SEDIMENT NEED TO BE REMOVED FROM BEHIND THE DITCH CHECK?



HANNEY & ASSOCIATES, ARCHITECTS
1726 South Hillside, Wichita, Kansas, 67211
Phone (316) 683-6965
Fax (316) 684-1441
www.haarchitects.com

24/7 TRAVEL STORE
 24-7 TRAVEL STORE
 2710 Commerce Rd.
 Goodland, Kansas

DRAWINGS ISSUED		
NO.	DATE	ITEM ISSUED
1	9-4-20	ADDENDUM #1

COMPUTER DRAWING

DATE: AUGUST 2020	CHECKED BY:
DRAWN BY:	
SHEET	
C1.12	
EROSION CONTROL	
DETAILS	
OF	SHEETS